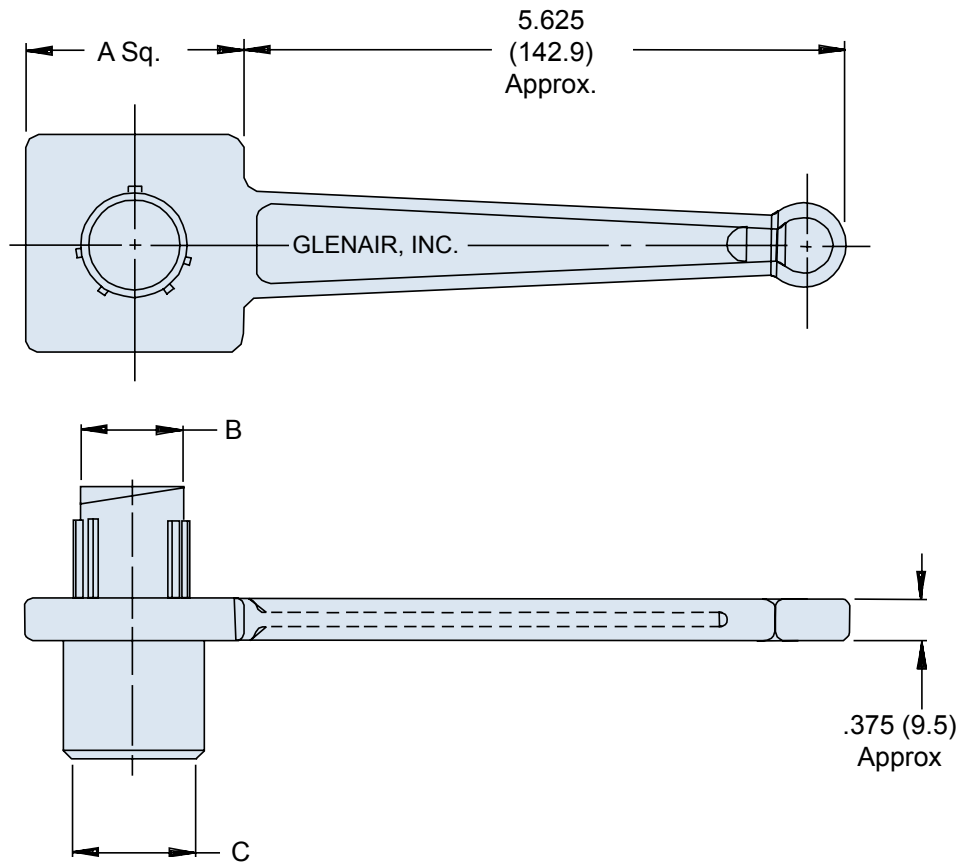
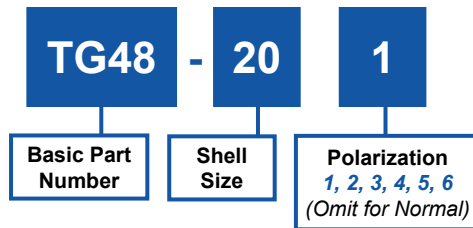


TG61

MIL-C-81511 Series I and III

Connector Wrench



Shell Size	A Dim. ± .062 (1.6)	B Dia. Ref.	C Dia. Ref.
08	1.250 (31.8)	.378 (9.6)	.407 (10.3)
10	1.250 (31.8)	.503 (12.8)	.532 (13.5)
14	2.000 (50.8)	.751 (19.1)	.782 (19.9)
16	2.000 (50.8)	.877 (22.3)	.908 (23.1)
18	2.000 (50.8)	1.001 (25.4)	1.032 (26.2)
20	2.000 (50.8)	1.126 (28.6)	1.157 (29.4)
22	2.750 (69.9)	1.251 (31.8)	1.282 (32.6)
24	2.750 (69.9)	1.376 (35.0)	1.407 (35.7)

APPLICATION NOTES

1. Metric dimensions (mm) are indicated in parentheses.
2. Material: Aluminum alloy with electroless nickel finish.