

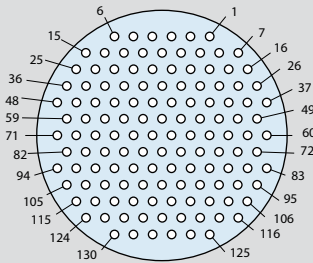
SERIES 802 2400M / 3500 PSI Ultraminiature Subsea Connectors



Hybrid PCB footprints
Viewed from component mounting side of PCB

Contact Arrangement

Pin Connector

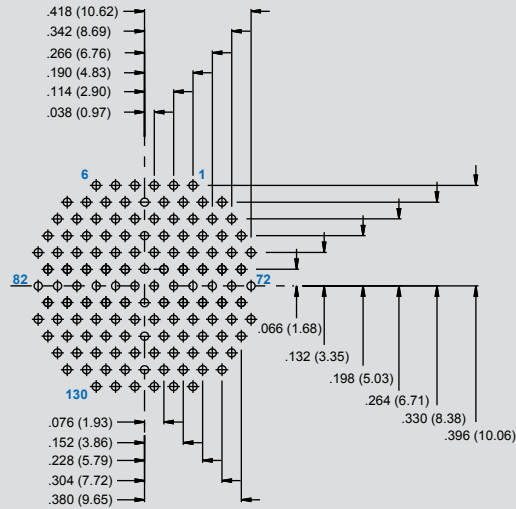


Contact Arrangement

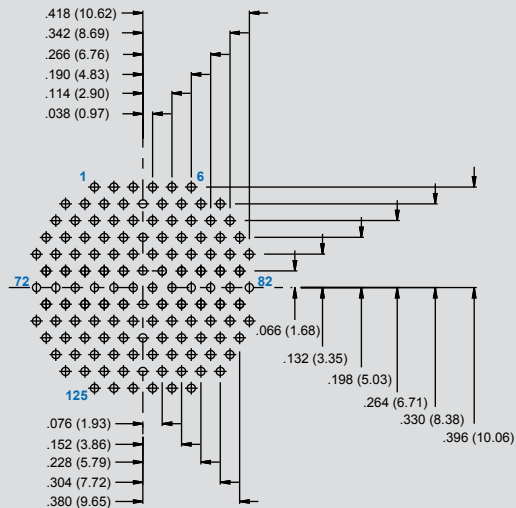
21-130

130 #23 Contacts

.022 (0.56) Max Dia. Tail

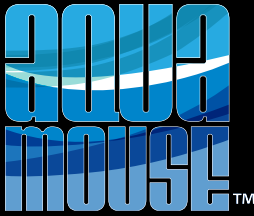


Socket Connector



SUBSEA/SHALLOW WATER: AQUAMOUSE™



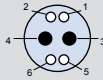


SERIES 802 2400M / 3500 PSI Ultraminiature Subsea Connectors



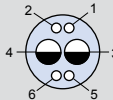
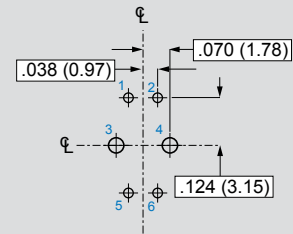
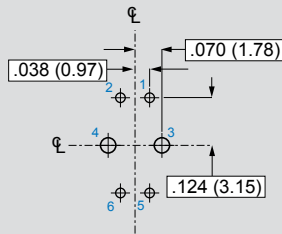
Hybrid PCB footprints
Viewed from component mounting side of PCB

Contact Arrangement	Pin Connector	Socket Connector
---------------------	---------------	------------------



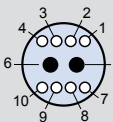
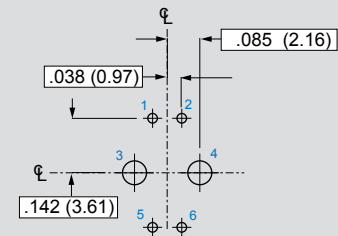
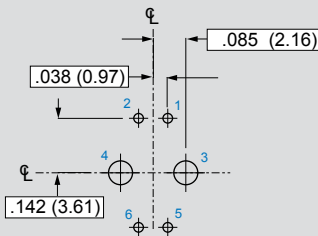
**Contact Arrangement
8-200**

2 #20 Contacts
.028 (0.71) Max. Dia. Tail
4 #23 Contacts
.022 (0.56) Max. Dia. Tail



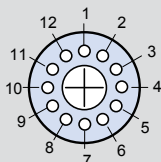
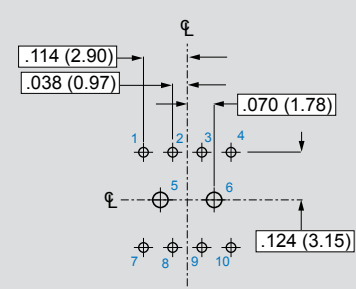
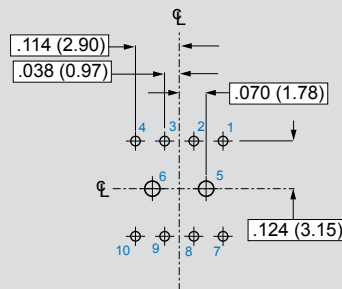
**Contact Arrangement
9-200**

4 #23 Contacts
.022 (0.56) Max. Dia. Tail
2 #16 Contacts
.064 (1.63) Max. Dia. Tail



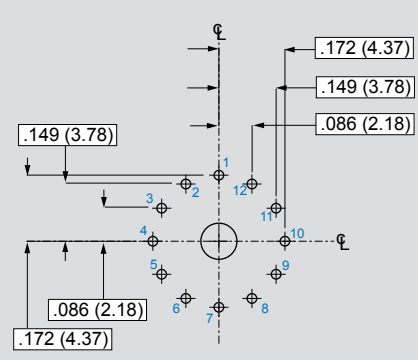
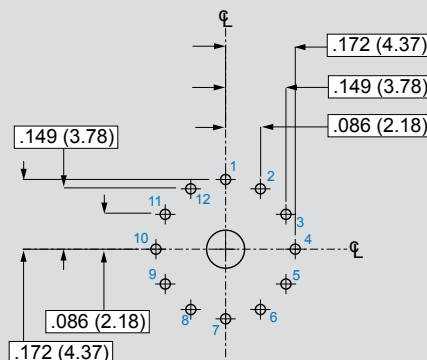
**Contact Arrangement
9-201**

2 #20 Contacts
.028 (0.71) Max Dia Tail
8 #23 Contacts
.022 (0.56) Max Dia Tail



**Contact Arrangement
10-200**

1 #12 Contact
.096 (2.44) Max Dia Tail
12 #23 Contacts
.022 (0.56) Max. Dia. Tail



SUBSEA SHALLOW WATER: AQUAMOUSE™

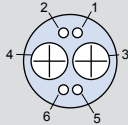


Hybrid PCB footprints
 Viewed from component mounting side of PCB

Contact Arrangement

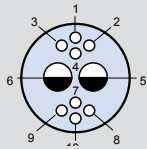
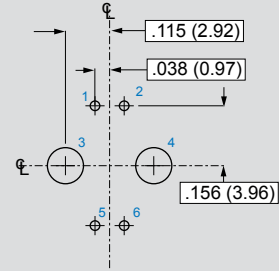
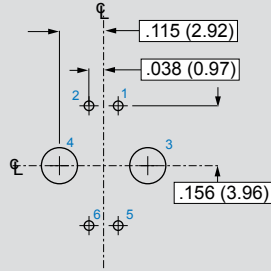
Pin Connector

Socket Connector



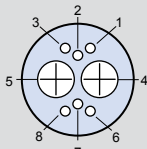
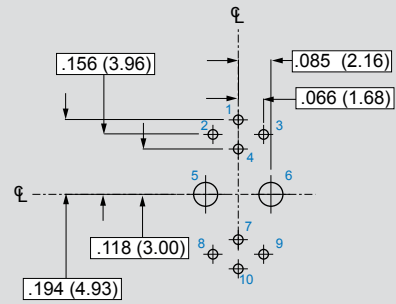
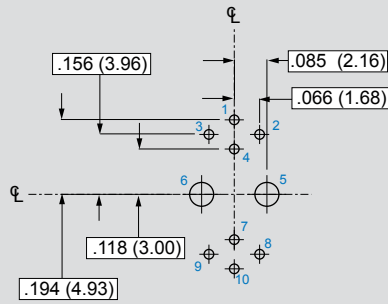
**Contact Arrangement
 10-201**

- 2 #12 Contacts
- .096 (2.44) Max. Dia. Tail
- 4 #23 Contacts
- .022 (0.56) Max. Dia. Tail



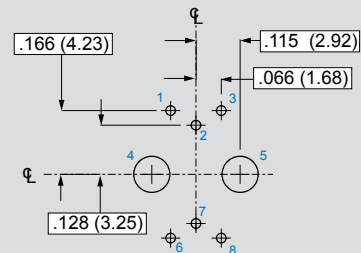
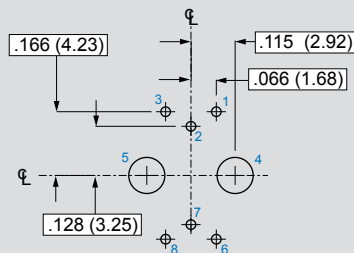
**Contact Arrangement
 10-202**

- 2 #16 Contacts
- .064 (1.63) Max. Dia. Tail
- 8 #23 Contacts
- .022 (0.5 Max. Dia. Tail)



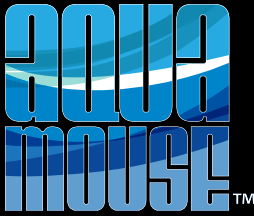
**Contact Arrangement
 12-200**

- 2 #12 Contacts
- .096 (2.44) Max. Dia. Tail
- 6 #23 Contacts
- .022 (0.56) Max. Dia. Tail



SUBSEA/SHALLOW WATER: AQUAMOUSE™





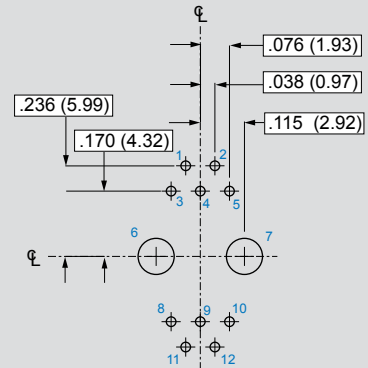
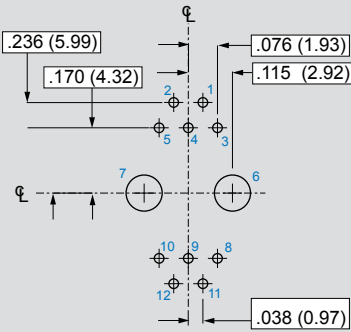
SERIES 802 2400M / 3500 PSI Ultraminiature Subsea Connectors



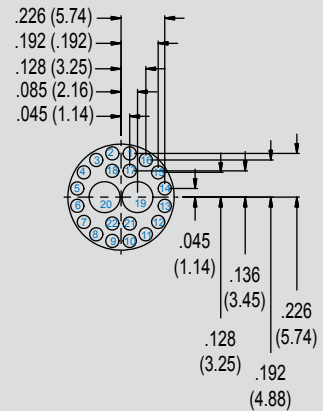
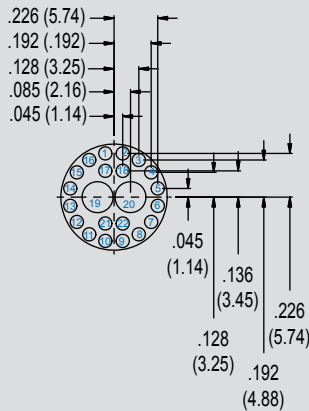
Hybrid PCB footprints
Viewed from component mounting side of PCB

Contact Arrangement	Pin Connector	Socket Connector
---------------------	---------------	------------------

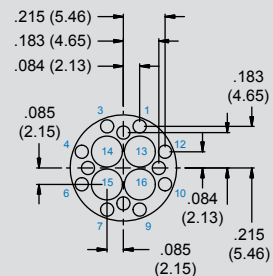
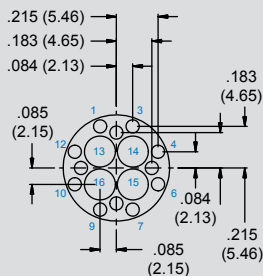
Contact Arrangement 12-201
 2 #12 Contacts
 .096 (2.44) Max. Dia. Tail
 10 #23 Contacts
 .022 (0.56) Max. Dia. Tail



Contact Arrangement 12-202
 2 #16 Contacts
 .064 (1.63) Max. Dia. Tail
 20 #23 Contacts
 .028 (0.71) Max. Dia. Tail

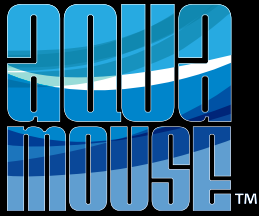


Contact Arrangement 12-203
 4 #16 Contacts
 .064 (1.63) Max. Dia. Tail
 12 #23 Contacts
 .022 (0.71) Max. Dia. Tail



SUBSEA SHALLOW WATER: AQUAMOUSE™





SERIES 802 2400M / 3500 PSI
Ultraminiature Subsea Connectors

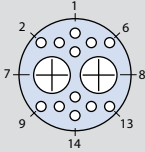


Hybrid PCB footprints
 Viewed from component mounting side of PCB

Contact Arrangement

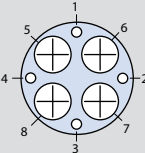
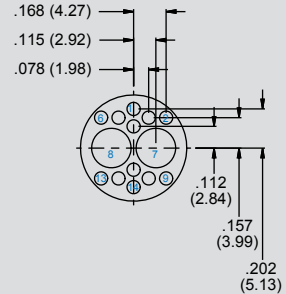
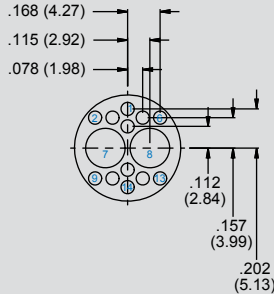
Pin Connector

Socket Connector



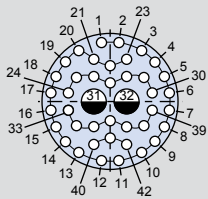
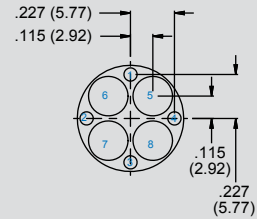
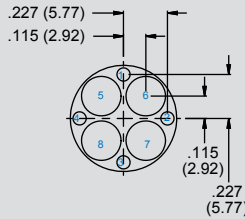
**Contact Arrangement
 12-204**

2 #12 Contacts
 .096 (2.44) Max. Dia. Tail
 12 #23 Contacts
 .022 (0.71) Max. Dia. Tail



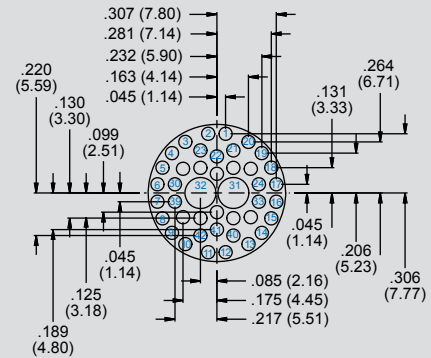
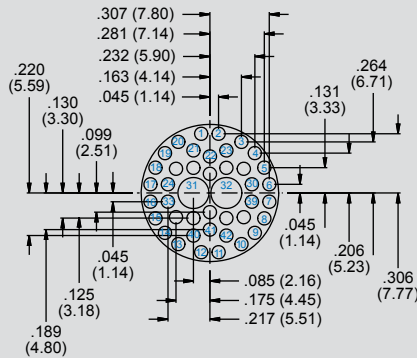
**Contact Arrangement
 12-205**

4 #12 Contacts
 .096 (2.44) Max. Dia. Tail
 4 #23 Contacts
 .022 (0.71) Max. Dia. Tail



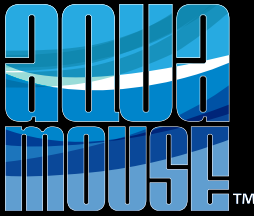
**Contact Arrangement
 14-204**

2 #16 Contacts
 .064 (1.63) Max. Dia. Tail
 40 #23 Contacts
 .022 (0.71) Max. Dia. Tail



SUBSEA/SHALLOW WATER: AQUAMOUSE™



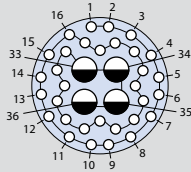


SERIES 802 2400M / 3500 PSI Ultraminiature Subsea Connectors

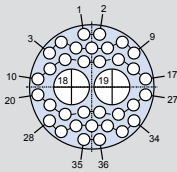
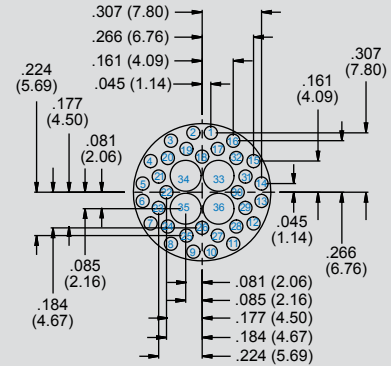
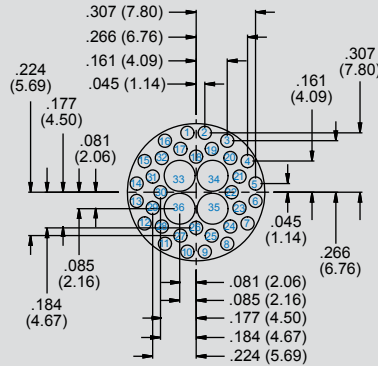


Hybrid PCB footprints
Viewed from component mounting side of PCB

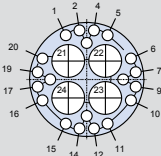
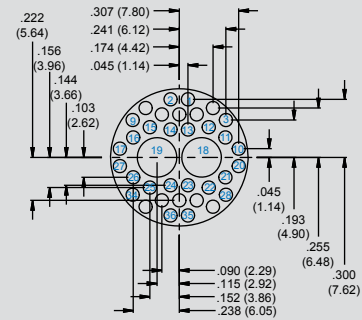
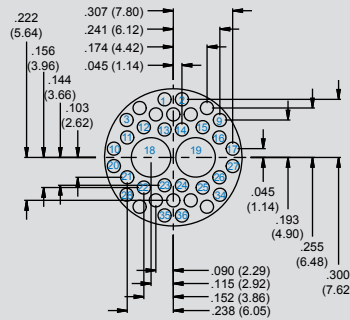
Contact Arrangement	Pin Connector	Socket Connector
---------------------	---------------	------------------



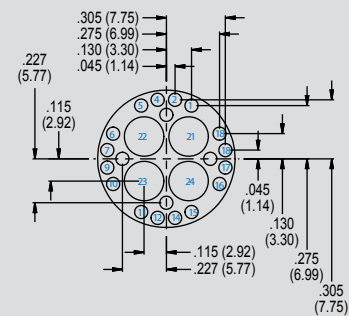
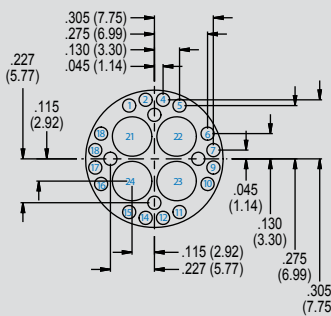
Contact Arrangement 14-205
4 #16 Contacts
.064 (1.63) Max. Dia. Tail
32 #23 Contacts
.022 (0.71) Max. Dia. Tail



Contact Arrangement 14-206
2 #12 Contacts
.096 (2.44) Max. Dia. Tail
34 #23 Contacts
.022 (0.71) Max. Dia. Tail

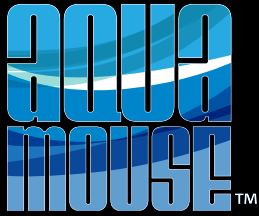


Contact Arrangement 14-207
4 #12 Contacts
.096 (2.44) Max. Dia. Tail
20 #23 Contacts
.022 (0.71) Max. Dia. Tail



SUBSEA SHALLOW WATER: AQUAMOUSE™





SERIES 802 2400M / 3500 PSI Ultraminiature Subsea Connectors

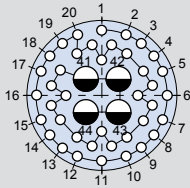


Hybrid PCB footprints
Viewed from component mounting side of PCB

Contact Arrangement

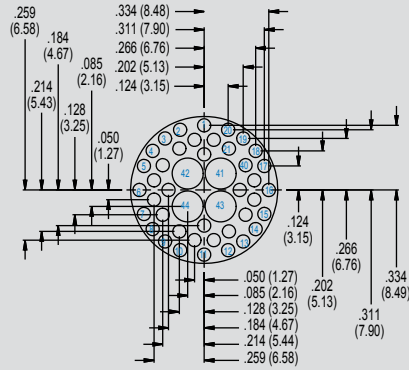
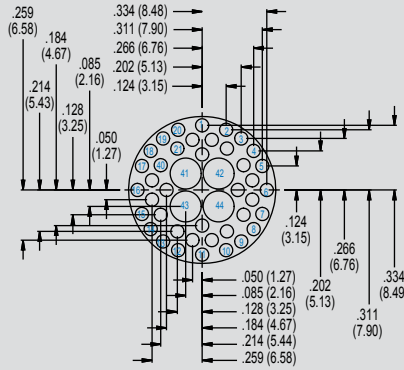
Pin Connector

Socket Connector

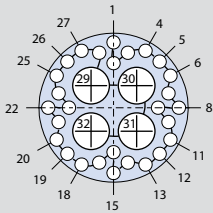


**Contact Arrangement
15-203**

- 4 #16 Contacts
- .064 (1.63) Max. Dia. Tail
- 40 #23 Contacts
- .022 (0.71) Max. Dia. Tail

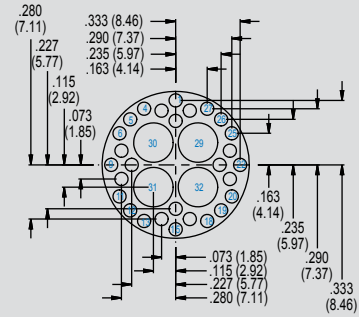
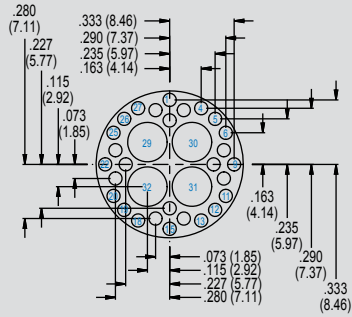


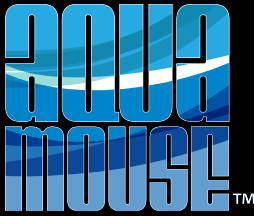
SUBSEA/SHALLOW WATER: AQUAMOUSE™



**Contact Arrangement
15-204**

- 4 #12 Contacts
- .096 (2.44) Max. Dia. Tail
- 28 #23 Contacts
- .022 (0.71) Max. Dia. Tail





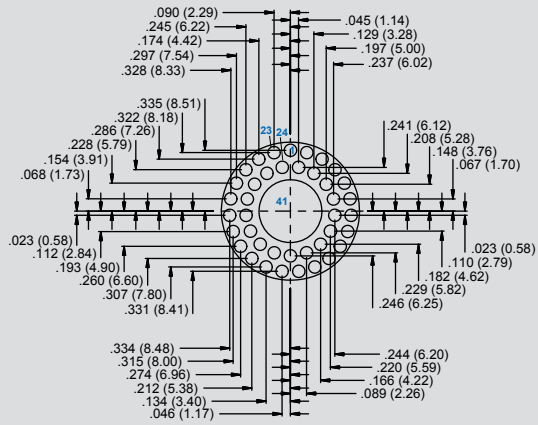
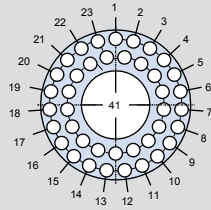
SERIES 802 2400M / 3500 PSI Ultraminiature Subsea Connectors



Hybrid PCB footprints
Viewed from component mounting side of PCB

Contact Arrangement

Pin Connector



Socket Connector

Contact Arrangement

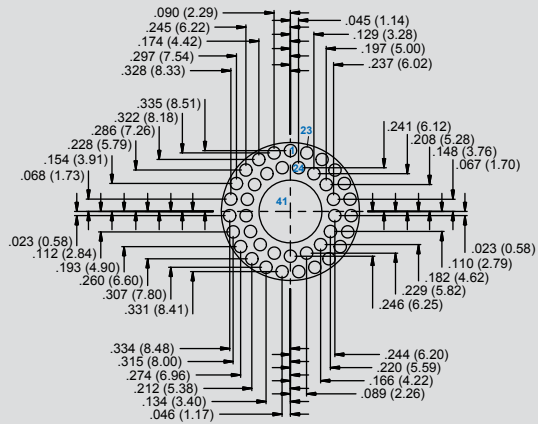
15-205

1 #8 Contacts

.182 (4.62) Max. Dia. Tail

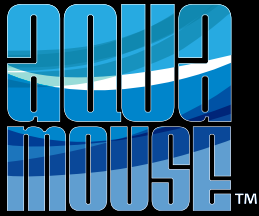
40 #23 Contacts

.022 (0.56) Max. Dia. Tail



SUBSEA SHALLOW WATER: AQUAMOUSE™





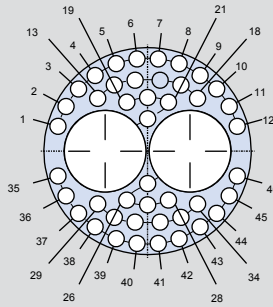
SERIES 802 2400M / 3500 PSI
Ultraminiature Subsea Connectors



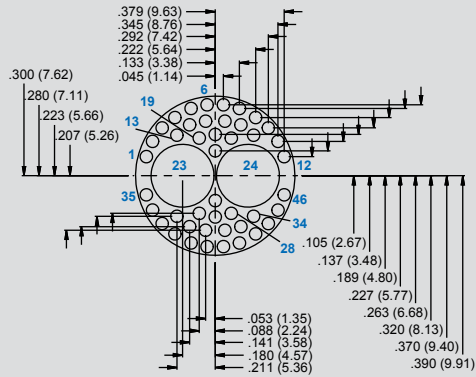
Hybrid PCB footprints
 Viewed from component mounting side of PCB

Contact Arrangement

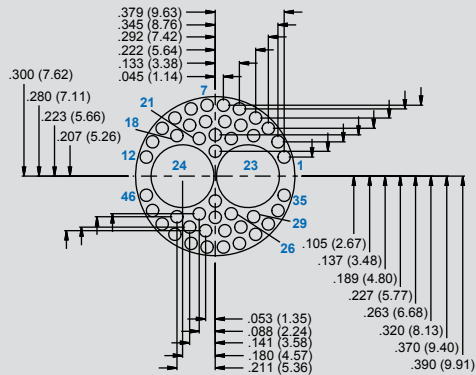
Pin Connector



Contact Arrangement 19-201
 2 #8 Contacts
 .182 (4.62) Max. Dia. Tail
 44 #23 Contacts
 .022 (.56) Max. Dia. Tail

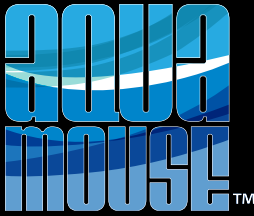


Socket Connector



SUBSEA/SHALLOW WATER: AQUAMOUSE™



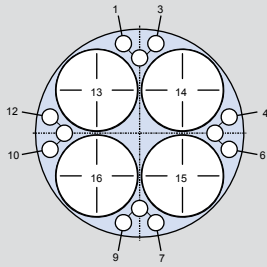


SERIES 802 2400M / 3500 PSI Ultraminiature Subsea Connectors



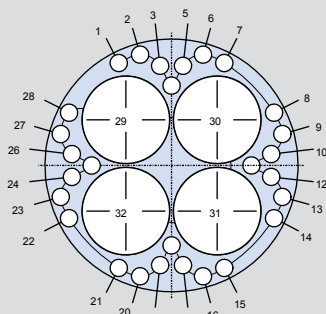
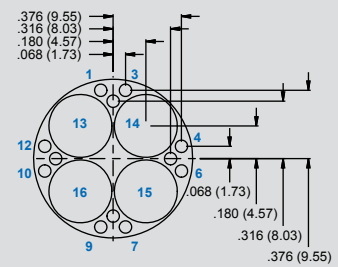
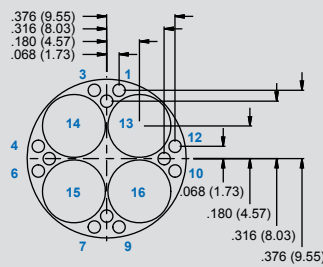
Hybrid PCB footprints
Viewed from component mounting side of PCB

Contact Arrangement	Pin Connector	Socket Connector
---------------------	---------------	------------------



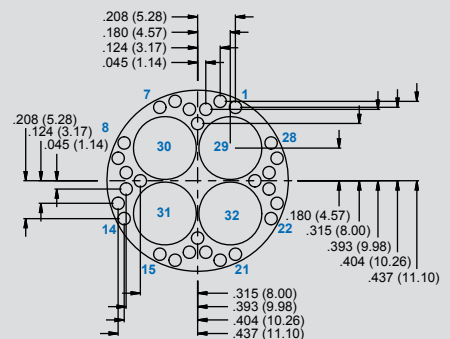
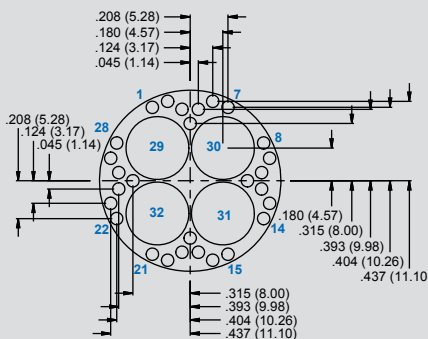
**Contact Arrangement
19-202**

- 4 #8 Contacts
- .182 (4.62) Max. Dia. Tail
- 12 #23 Contacts
- .022 (.56) Max. Dia. Tail



**Contact Arrangement
21-200**

- 4 #8 Contacts
- .182 (4.62) Max. Dia. Tail
- 28 #23 Contacts
- .022 (0.56) Max. Dia. Tail



SUBSEA SHALLOW WATER: AQUAMOUSE™

