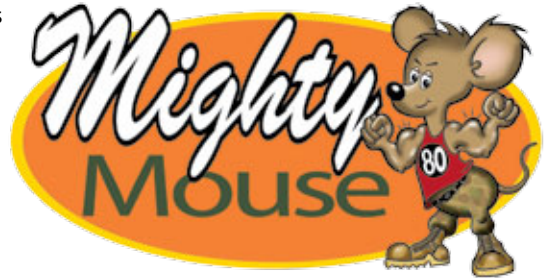


## Mighty Mouse High-Speed and Ultra-Twinax: high-speed performance and signal integrity in an ultraminiature package

Glenair has expanded the Mighty Mouse line to include contacts and connectors optimized for high-speed digital applications. A wide range of interconnect technologies are available, including

- *High-Speed* series 80 with DuPont™ Teflon® insulators for superior electrical performance in protocol-specific applications like eSATA and USB 2.0/3.0. These connectors are ideally suited for use with Ethernet, USB and other protocol-specific wire types presented in this chapter.
- Mighty Mouse *Ultra-Twinax* connectors utilizing size #12 Twinax contacts for differential pair applications such as LVDS and CML, and 963-001 100 Ohm differential parallel pair data cable



### MIGHTY MOUSE HIGH-SPEED



Series 80 Mighty Mouse *High Speed* Connectors with DuPont™ Teflon® PFA Insulators

- For use with high-speed protocol wire including eSATA, 10GBASE-T, USB 2.0 / 3.0
- DuPont™ Teflon® PFA insulators for superior insertion loss and balanced impedance
- Series 801 double-start ACME thread and Series 804 push-pull quick disconnect connectors available
- Discrete components or overmolded cordsets

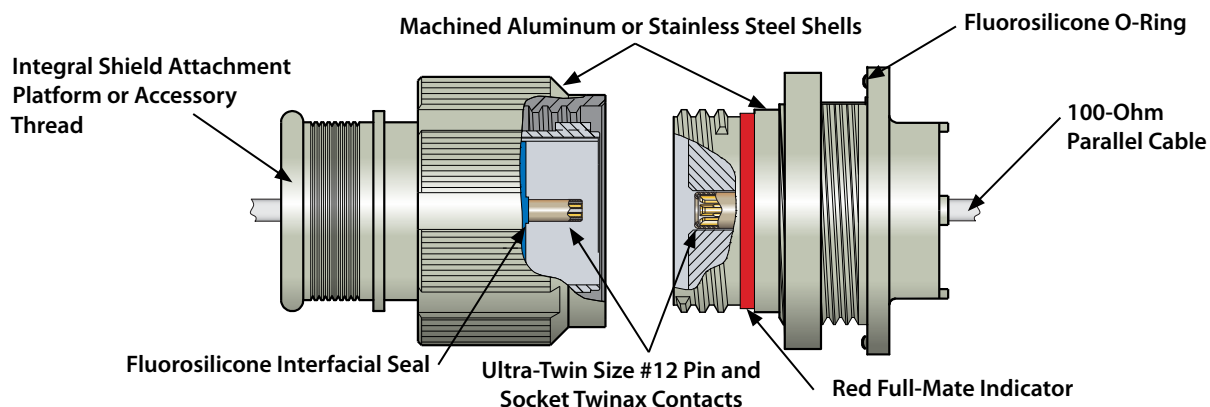
### MIGHTY MOUSE ULTRA-TWINAX

- For ultra high-speed differential pair applications such as LVDS, CML and 963-001 100 Ohm differential parallel pair data cable
- Size #12 Twinax and hybrid contact arrangements
- Series 801 double-start ACME thread connectors
- Discrete components or overmolded cordsets

Series 80 Mighty Mouse *Ultra-Twinax* Connectors with Size #12 Twinax contacts



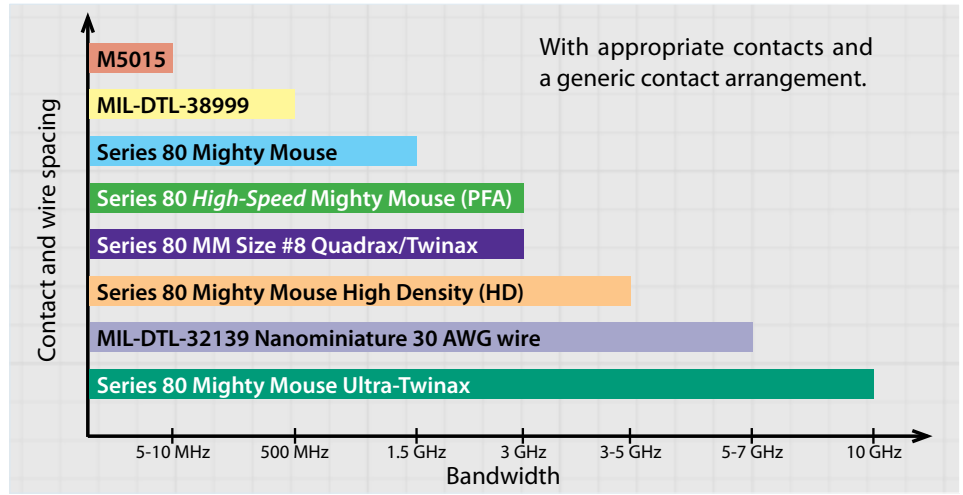
#### Mighty Mouse *ultra-twinax* plug and receptacle cutaway



# Protocol Specific Cables For USB, Ethernet, HDMI and Others Compatible Connectors



This table compares contact and wire spacing and bandwidth performance in miniaturized interconnect applications. As contact density increases, the performance of the interconnect improves. Note the position of the High-Speed PFA and Size #8 Mighty Mouse compared to standard Mighty Mouse, and the position of the Ultra-Twinax Mighty Mouse with performance up to 10 GHz. The Series 80 Mighty Mouse High Density (HD) connector also performs exceptionally well in bandwidths up to 5 GHz, by virtue of its high-density TwistPin contact insert arrangements.



Mighty Mouse High Speed Contact Arrangements Mating Face View of Pin Connector (Socket Connector Numbers are Reversed)				
6 - 4	6 - 7	7 - 10	9 - 19	10 - 26
Shell Size 6 4 Size #23 Contacts	Shell Size 6 7 Size #23 Contacts	Shell Size 7 10 Size #23 Contacts	Shell Size 9 19 Size #23 Contacts	Shell Size 10 26 Size #23 Contacts

Mighty Mouse Ultra Twinax Size #12 Differential Twinax Contact Arrangements (Mating Face/Pin Connector)						
7-1	10-2	16-5	17-7	21-12	10-201	10-200
Shell Size 7 1 Size #12 Twinax Contact	Shell Size 10 2 Size #12 Twinax Contacts	Shell Size 16 5 Size #12 Twinax Contacts	Shell Size 17 7 Size #12 Twinax Contacts	Shell Size 21 12 Size #12 Twinax Contacts	Shell Size 10 2 Size #12 Twinax 4 Size #23 Contacts	Shell Size 10 1 Size #12 Twinax 12 Size #23 Contacts



Glenair SuperSeal™ Ethernet and USB connectors are optimized for use with our Series 963 Ethernet and USB cables