

ARINC 801 Type 1 Fiber Optic Connectors and Termini

MIL-DTL-38999 SERIES III TYPE

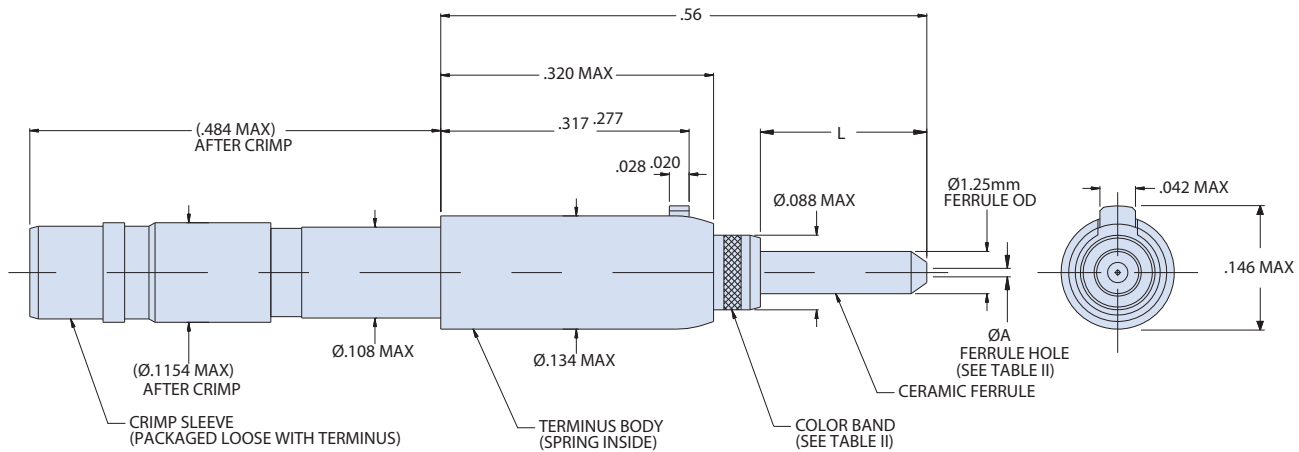
181-076 Genderless Termini



GENDERLESS FIBER OPTIC TERMINI FOR ARINC 801 CONNECTORS, KEYED, REAR RELEASE



How To Order			
Sample Part Number	181-076	-	P -126
Fiber Optic Termini	Genderless terminus for ARINC 801 connector		
Cable Jacket Diameter	See Table I		
Cable Structure	P = Pull-Proof (loose structure cable) N = Non-Pull-Proof (tight structure cable or 900 micron buffer)		
Assembly Dash Number	See Table II		



Dash No.	Cable Jacket Diameter
A	900 micron buffer only
-	2.0/1.7mm

Dash No.	Ø A (microns)	Typ Fiber Type	Typ Fiber Size (microns) Core/Cladding	Ferrule Polish Type	L Inches	Color Band
-1255	125.5	Singlemode	9/125	PC	.196/.192	Blue
-1255A	125.5	Singlemode	9/125	APC	.200/.196	Green
-1265	126.0	Singlemode	9/125	PC	.196/.192	Blue
-1265A	126.0	Singlemode	9/125	APC	.200/.196	Green
-126	126.0	Multimode	50/125, 62.5/125	PC	.196/.192	None

NOTES

1. Crimp sleeve is packaged loose with terminator assembly. Spares may be ordered separately, consult factory.
2. Termini for 900 micron buffer are not provided with crimp sleeves
3. Material and Finish
 - Ferrule: Zirconia Ceramic
 - Terminus Bodies: Brass Alloy/Nickel
 - Crimp Sleeve: Brass Alloy/Nickel
 - Spring: Stainless Steel/Passivate