

Mesh tape, Nomex®: flexible, lightweight woven solution for spot mechanical/abrasion protection

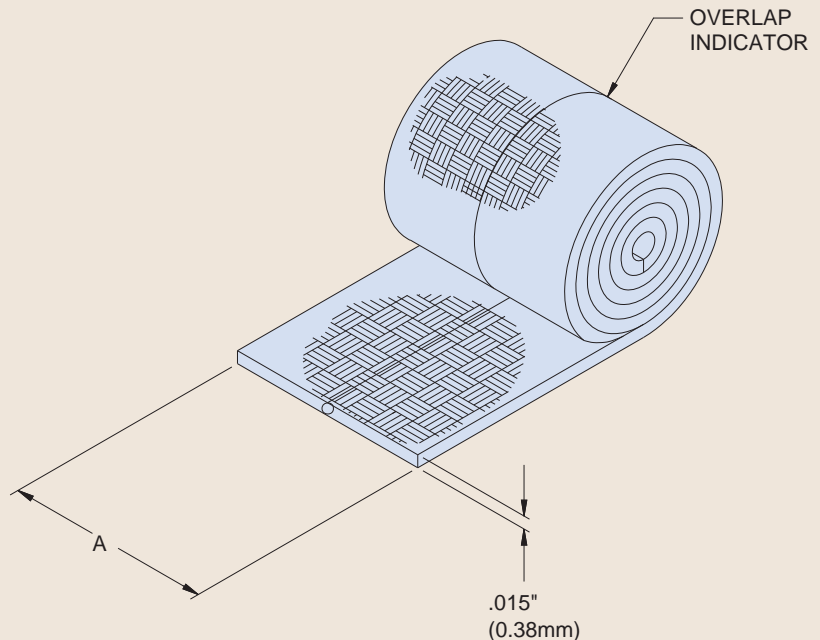
103-102 Mesh tape, Nomex® (non-adhesive)

103-102 LIGHTWEIGHT TAPE, NOMEX® FOR MECHANICAL/ABRASION SPOT COVERAGE AND REPAIR



How To Order			
Sample Part Number	103-102	-1	GY
Basic No.	Mesh tape, Nomex®		
Dash No.	1 = .50" wide tape 2 = 1.00" wide tape 3 = 1.50" wide tape (see Table I for specifications)		
Color option	W = White R = Red GN = Green GY = Gray TN = Desert Tan OR = Orange Omit = for standard Black		

Dash No.	Nominal Width 'A' Dim.	Approx. Weight (grams/ft.)	Minimum pull strength (lbs) ref.
-1	.50" (12.7mm)	1.5	TBD
-2	1.00" (25.4mm)	3.0	TBD
-3	1.50" (38.1mm)	4.5	TBD



NOTES

- Order in 1 foot increments. Standard packaging on spools in 50 ft. lengths. Orders of 1–49 ft. will be packaged in individual polybags.

Material:

Woven mesh and overlap tracer - high temperature DuPont™ Nomex® thread;
 Monofilament - PEEK

DuPont™ and Nomex® are trademarks or registered trademarks of E.I. duPont de Nemours and Company.