

MISSION-CRITICAL
INTERCONNECT
SOLUTIONS



El Ochito[®] OCTAXIAL CONTACTS

High-speed shielded size #8 contacts and jumpers for
40 Gb Ethernet, SuperSpeed USB, HDMI, SATA, and DisplayPort

DECEMBER 2022

**DROP-IN
CONTACTS
FOR MULTIPIN
CONNECTORS**

El Ochito

**High-speed octaxial contacts for Ethernet,
SuperSpeed USB and multi-gigabit datalinks**



High speed, harsh environment El Ochito® octaxial contacts save size and weight. Suitable for aircraft avionics, weapons systems, satellites, radars, communications equipment and other aerospace/defense gear, El Ochito® contacts are optimized for 40G Ethernet, SuperSpeed USB and other multi-gigabit datalink protocols including HDMI, DisplayPort and SATA. Available discrete contacts and jumper assemblies are readily incorporated into Glenair aerospace-grade circular and rectangular connectors.



El Ochito® White

1000BASE-T
10GBASE-T
40GBASE-T



El Ochito® Blue

SuperSpeed
USB 3.0



El Ochito® Red

HDMI, SATA
DisplayPort

- 40GbE, SuperSpeed USB, and multi-gigabit shielded pairs
- Crimp shield termination and threaded (serviceable) shield termination contact types
- Turnkey single-ended and point-to-point jumpers
- Snap-in, rear release
- Environmentally sealed and shielded
- Aerospace-grade performance

El Ochito®

The Octaxial Contact for up to 40Gb Ethernet, SuperSpeed USB and Multi-Gigabit Data Rates



El Ochito® White

El Ochito® Blue

El Ochito® Red

El Ochito® contacts are intended for harsh environment military and aerospace data networks. El Ochito® contacts provide up to 50% total weight savings and 20 times faster data rates compared to legacy quadax-based solutions. These contacts have eight crimp signal pins housed in a machined, gold plated outer contact. El Ochito® octaxial contacts are available in three versions: El Ochito® White for 40GbE Ethernet, El Ochito® Blue for SuperSpeed USB, and El Ochito® Red for multigigabit 100 ohm protocols such as HDMI and SATA.

El Ochito® contacts are compatible with industry standard ARINC 600, EPXB and MIL-DTL-38999 connectors. Contact series is also optimized for Series 816, Series 792 Micro-Crimp Rectangular, Series 23 SuperNine®, micro miniature Series 806 Mil-Aero, and nano miniature circular SuperFly Datalink.



El Ochito® Overview

Protocols and Technical Data	2
Exploded Views of Type I and Type II Contacts	3

El Ochito® Signal Integrity Data

10GBASE-T Cat 6A Compliance Testing for El Ochito® White	4
USB Compliance Testing for El Ochito® Blue	5

El Ochito® Contacts, Assembly Tools, and Sealing Boots

El Ochito® Ordering Information	6
NASA Space-Grade Guidelines and Outgas Data	14
Dimensions.....	16
Assembly Kit and Tools.....	22
Sealing Boots	34

Bulk Cable for El Ochito® Contacts

Aerospace-Grade, Cat 6A and Cat 8 Cable for El Ochito White.....	26
Aerospace-Grade, SuperSpeed USB 3.0 Cable for El Ochito Blue	31
Aerospace-Grade, HDMI and DisplayPort, SATA, and 100 Ohm High-Speed Cable for El Ochito Red	32

Pre-Wired El Ochito® Cable Assemblies

El Ochito® White Assemblies with Cat 6A and Cat 8 Ethernet Cable....	35
El Ochito® Blue Assemblies for SuperSpeed USB.....	42
El Ochito® Red Assemblies for Multi-Gigabit Data	46

El Ochito® Test Adapters for Connectors

Jumper Cable Mating Adapters, Test Adapters and Evaluation Fixtures.....	50
--	----

El Ochito® PCB Transition Adapters

858-025 El Ochito® PCB Transition Adapters	56
--	----

El Ochito® Connector Selection Guide

El Ochito® Connector Selection Guide	55
El Ochito® Backshell Selection Guide.....	57

Protocols and Technical Data

El Ochito[®] White



1000BASE-T, 10GBase-T, 40GBASE-T

El Ochito[®] White octaxial contacts provide 40GbE in a single size #8 contact cavity (compared to two Quadrax) for 100BASE-T solutions.

El Ochito[®] Blue



SuperSpeed USB

Low-dielectric material. 90 ohms. El Ochito[®] Blue octaxial contacts provide an aerospace-grade solution for SuperSpeed USB 3.0

El Ochito[®] Red



HDMI, DisplayPort, SATA

Low-dielectric material. Up to 10 Gbps per pair. 100 ohms. El Ochito[®] Red octaxial contacts provide an aerospace-grade solution for multi-gigabit data rates.

Technical Data

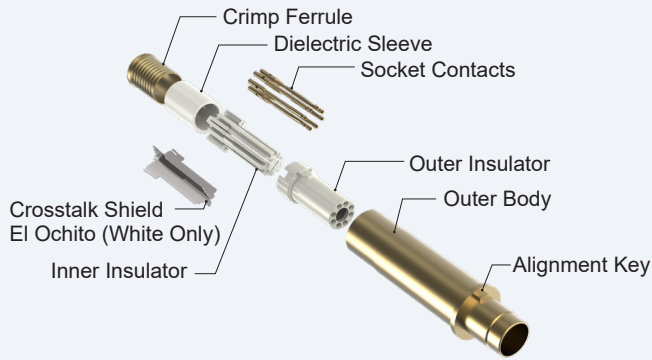
Specifications	Construction	Connector Compatibility
<ul style="list-style-type: none"> ■ Operating temperature: El Ochito[®] White: -65° to +175°C El Ochito[®] Blue: -65° to +175°C El Ochito[®] Red: -65° to +175°C ■ Impedance: El Ochito[®] White: 100 ohms El Ochito[®] Blue: 90 ohms El Ochito[®] Red: 100 ohms ■ Dielectric withstanding voltage: 500 Vrms ■ Current Rating: 1.5 A ■ Insulation resistance: 5000 megohms min. ■ Durability: 500 mating cycles ■ Vibration: MIL-DTL-38999 Series III ■ Shock: MIL-DTL-38999 Series III 	<ul style="list-style-type: none"> ■ Inner contacts, outer contact, ferrules, retaining nut: copper alloy, 50 microinches gold over nickel plating ■ Insulators: El Ochito[®] White: rigid dielectric; white ■ El Ochito[®] Blue: low-dielectric constant thermoplastic, blue ■ El Ochito[®] Red: low-dielectric constant thermoplastic, red ■ O-ring: fluorosilicone ■ Adhesive Lined Shrink Boot: High performance Elastomer (Type II only) ■ Contact release sleeve: stainless steel, passivated ■ Sealing boot grommet: fluorosilicone blend ■ Sealing boot body: rigid thermoplastic, PEI or equivalent ■ Spline, El Ochito[®] White: copper alloy, nickel plating ■ Spline, Type II El Ochito[®]: stainless steel, nickel plating 	<ul style="list-style-type: none"> ■ El Ochito[®] contacts have an alignment key and are not suitable for use in standard MIL-DTL-38999 connectors. For use with Series 23 SuperNine ■ Series 806 and 816 with keyed size 8 cavities ■ Series 792 Ultraminiature Rectangular ■ 233-217 and 233-224 SuperNine[®] with keyed size 8 cavities ■ ARINC 600 quadraxial inserts ■ EPXB quadrax inserts ■ Series 28 HiPer-D[®] connectors (280-082 and 280-083) ■ EN3545 connectors

ELOCHITO[®] OVERVIEW

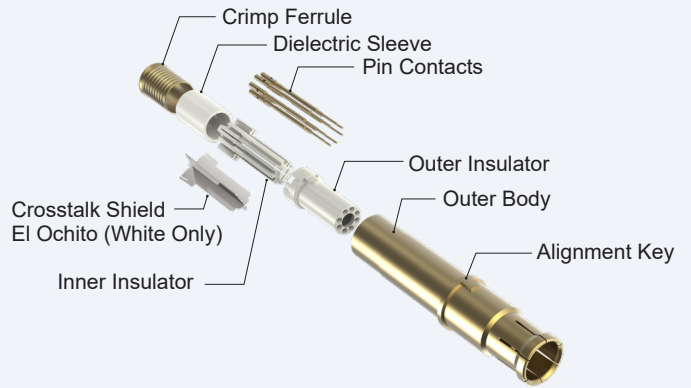
Exploded Views of Type I and Type II Contacts

EL OCHITO® OVERVIEW

El Ochito® White Type I Contacts, Non-Serviceable 26 AWG, Crimp Wire Shield Termination



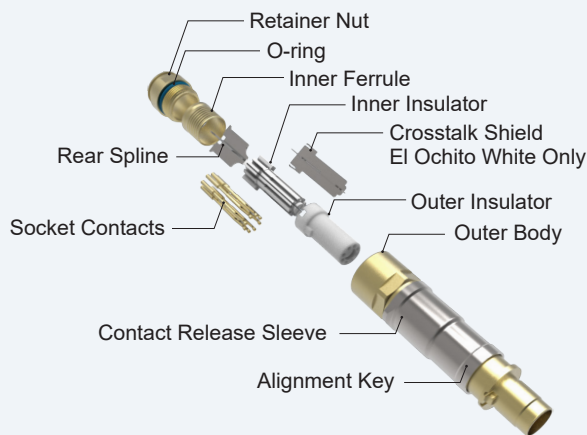
Type I Pin Contact



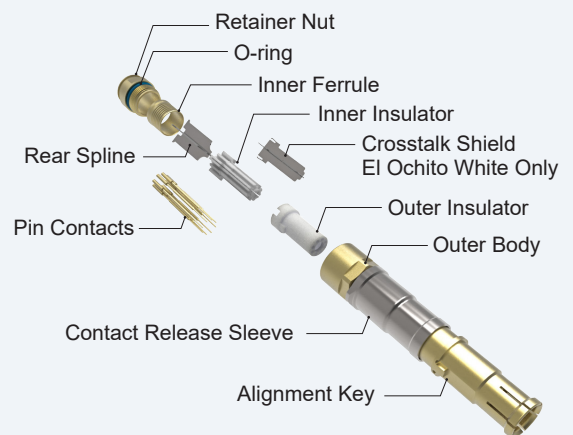
Type I Socket Contact

El Ochito® Type II Contacts, Serviceable

24-26 AWG, Threaded Wire Shield Termination, Integral Contact Release Sleeve



Type II Pin Contact

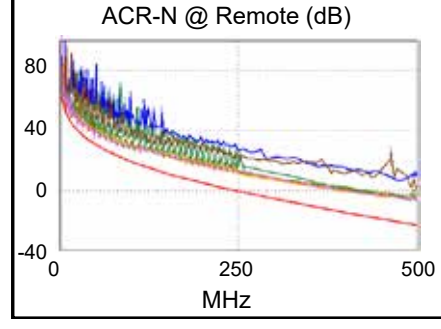
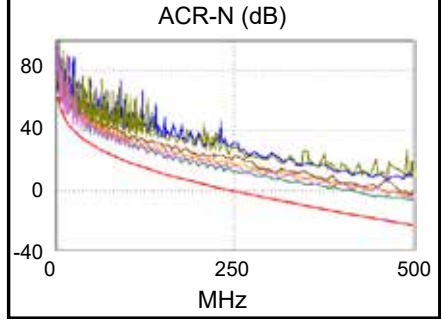
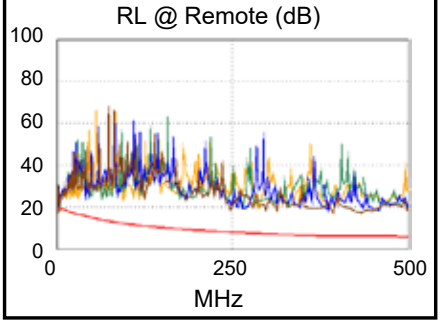
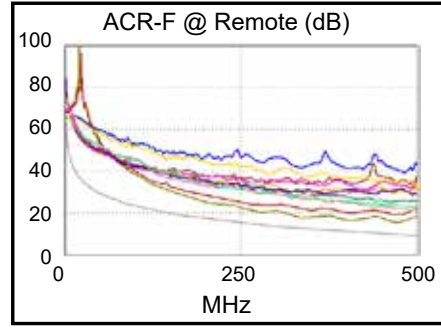
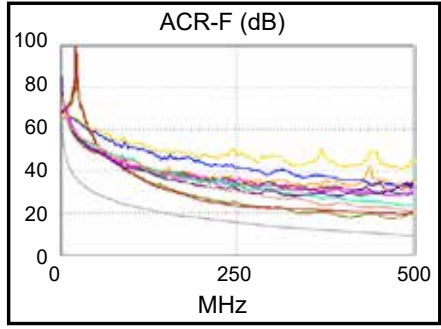
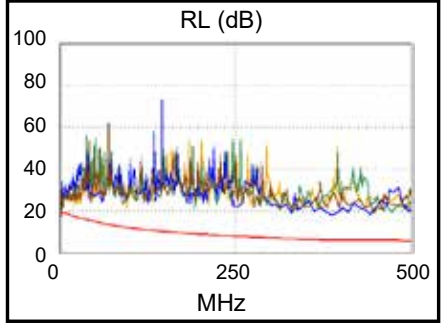
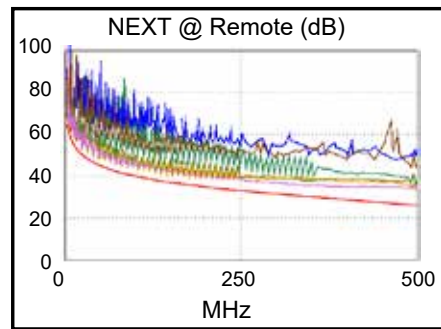
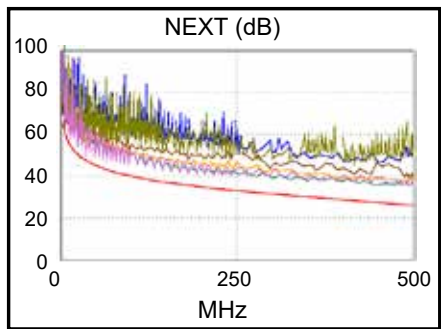
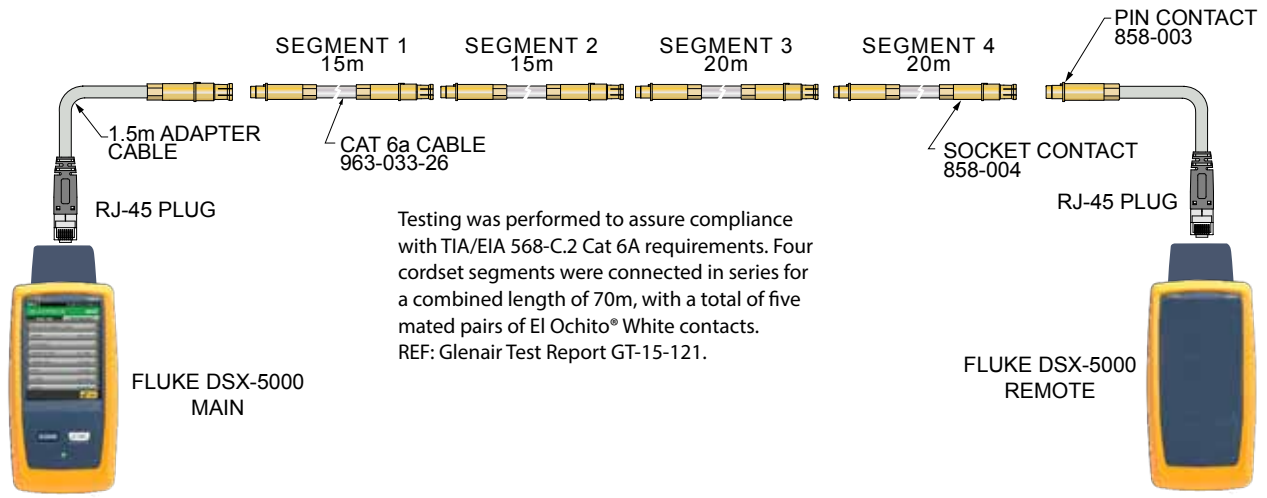


Type II Socket Contact

Signal Integrity Data: El Ochito[®] White

SIGNAL INTEGRITY DATA

10GBase-T Cat 6A Compliance Testing for El Ochito[®] White

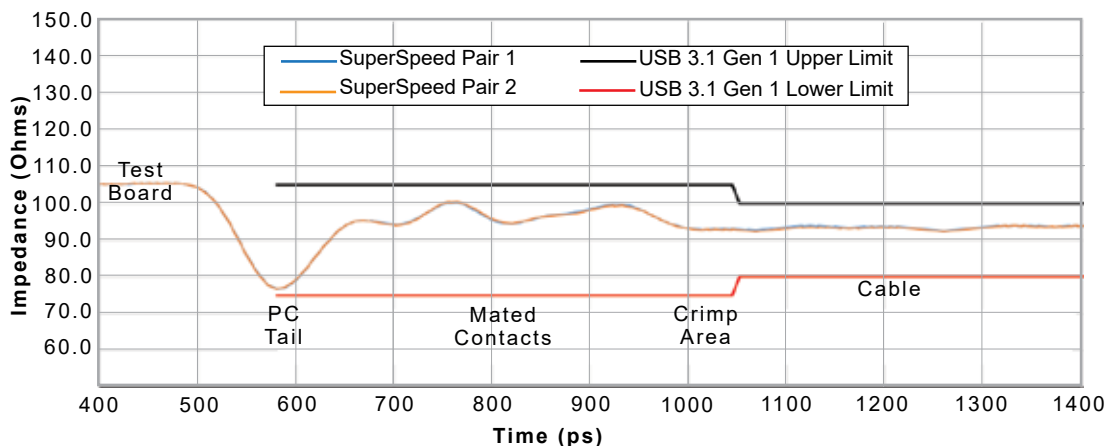


Signal Integrity Data: El Ochito[®] Blue

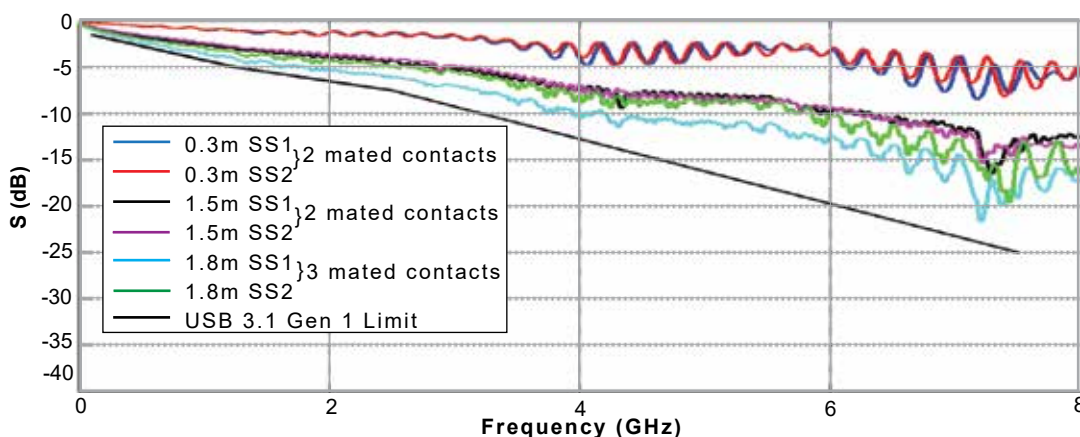
SIGNAL INTEGRITY DATA

SuperSpeed USB 3.0 Compliance Testing for El Ochito[®] Blue

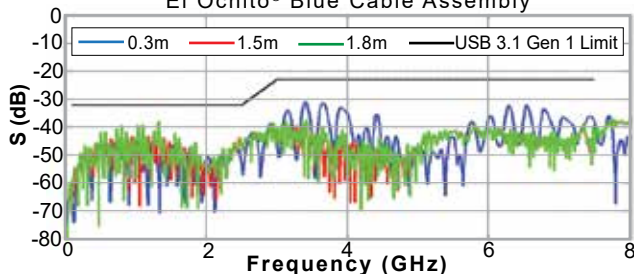
TDR Profile
50ps RT 20%-80%
El Ochito[®] Blue
PC tail contact to
Cable Assembly



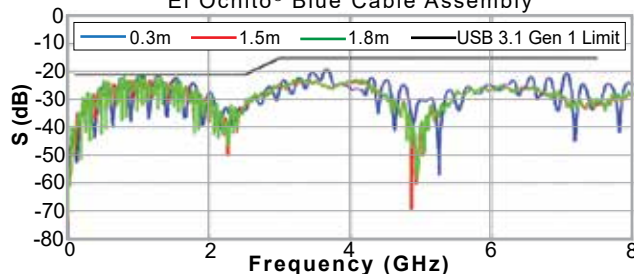
De-Embedded Insertion Loss
El Ochito[®] Blue
Cable Assembly



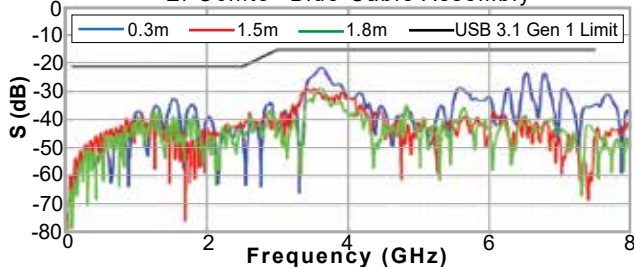
NEXT (SuperSpeed Pairs)
El Ochito[®] Blue Cable Assembly



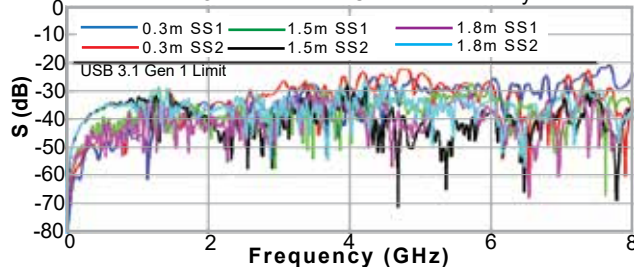
NEXT (SuperSpeed to D+/D-)
El Ochito[®] Blue Cable Assembly



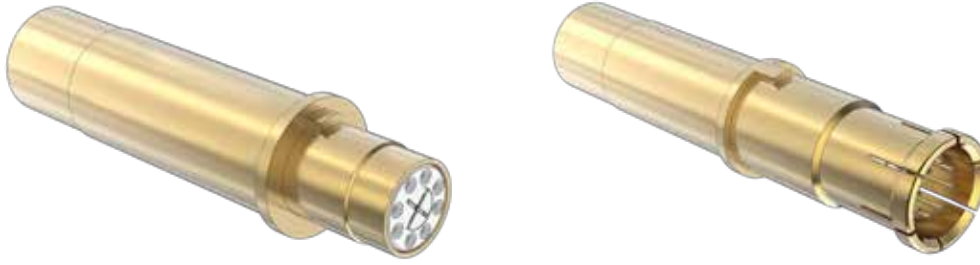
FEXT (SuperSpeed to D+/D-)
El Ochito[®] Blue Cable Assembly



Mode Conversion (SCD21)
El Ochito[®] Blue Cable Assembly



Ordering Information: El Ochito[®] White Contacts, Type I



EL OCHITO[®] CONTACT ORDERING INFORMATION

El Ochito[®] Contacts: How To Order



Data Protocol: Cat 6A up to 10G, Cat 8 up to 40G Ethernet
El Ochito[®] White

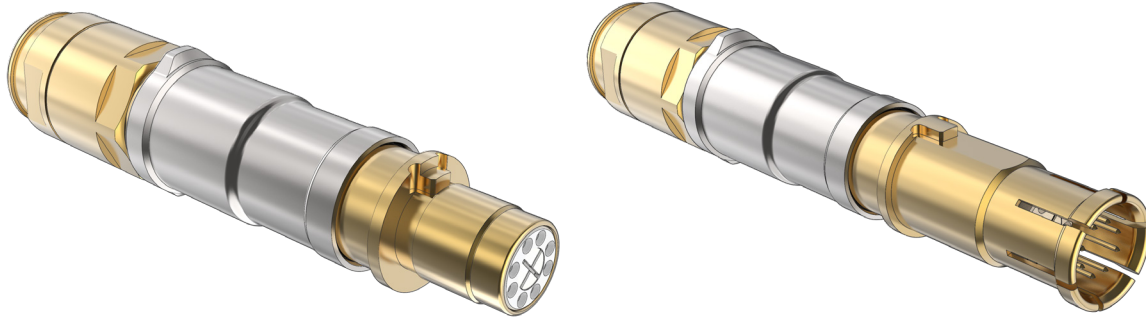
Connector Type	Protocol	Wire Size	Cable Type	Recommended Cable		El Ochito [®] Type I	
				Glenair Part No.	Cable Dia.	Pin Contact <i>Assembly Instr.</i>	Skt Contact <i>Assembly Instr.</i>
<ul style="list-style-type: none"> • ARINC 600 Type I Contacts 	Cat 6A	26	S/UTP	963-003-26	.220 (5.59)	858-009-01 AI85074-01	858-010-01 AI85074-01
	Cat 6A	26	S/FTP	963-033-26	.220 (5.59)	858-009-02 AI85084-01	858-010-02 AI85084-01
	Cat 6A	28	S/FTP	963-033-28	.177 (4.50)	858-009-03 AI85084-03	858-010-03 AI85084-03
	Cat 8	26	S/FTP	963-132-26	.220 (5.59)	858-009-04 AI85084-04	858-010-04 AI85084-04
	Cat 8	26	S/FTP	963-135-26	.220 (5.59)	858-009-05 AI85084-05	858-010-05 AI85084-05
<ul style="list-style-type: none"> • EN3645 • EN4165 Type I Contacts 	Cat 6A	26	S/UTP	963-003-26	.220 (5.59)	858-026-01 AI85048-01	858-027-01 AI85048-01
	Cat 6A	26	S/FTP	963-033-26	.220 (5.59)	858-026-02 AI85048-02	858-027-02 AI85048-02
	Cat 6A	28	S/FTP	963-033-28	.177 (4.50)	858-026-03 AI85048-03	858-027-03 AI85048-03
	Cat 8	26	S/FTP	963-132-26	.220 (5.59)	858-026-04 AI85048-04	858-027-04 AI85048-04
	Cat 8	26	S/FTP	963-135-26	.220 (5.59)	858-026-05 AI85048-05	858-027-05 AI85048-05
<ul style="list-style-type: none"> • Radial EPXB Type I Contacts 	Cat 6A	26	S/UTP	963-033-26	.220 (5.59)	858-014-01 AI85105-01	858-015-01 AI85105-01
	Cat 6A	26	S/FTP	963-003-26	.220 (5.59)	858-014-02 AI85105-01	858-015-02 AI85105-02
	Cat 6A	28	S/FTP	963-033-28	.177 (4.50)	858-014-03 AI85105-03	858-015-03 AI85105-03
	Cat 8	26	S/FTP	963-132-26	.220 (5.59)	858-014-04 AI85105-04	858-015-04 AI85105-04
	Cat 8	26	S/FTP	963-135-26	.220 (5.59)	858-014-05 AI85105-05	858-015-05 AI85105-06

Ordering Information: El Ochoito[®] White Contacts, Type I

El Ochoito [®] Contacts: How To Order							
		Data Protocol: Cat 6A up to 10G, Cat 8 up to 40G Ethernet					
		El Ochoito [®] White					
Connector Type	Protocol	Wire Size	Cable Type	Recommended Cable		El Ochoito [®] Type I	
				Glenair Part No.	Cable Dia.	Pin Contact Assembly Instr.	Skt Contact Assembly Instr.
<ul style="list-style-type: none"> • EN3545 Type I Contacts 	Cat 6A	26	S/UTP	963-003-26	.220 (5.59)	858-055-01 A185194-01P	858-056-01 A185194-01S
	Cat 6A	26	S/FTP	963-033-26	.220 (5.59)	858-055-02 A185194-02P	858-056-02 A185194-02S
	Cat 6A	28	S/FTP	963-033-28	.177 (4.50)	858-055-03 A185194-03P	858-056-03 A185194-03S
	Cat 8	26	S/FTP	963-132-26	.220 (5.59)	858-055-04 A185194-04P	858-056-04 A185194-04S
	Cat 8	26	S/FTP	963-135-26	.220 (5.59)	858-055-05 A185194-05P	858-056-05 A185194-05S
<ul style="list-style-type: none"> • SuperNine[®] (Series 23) • HiPer-D[®] (Series 28) Type I Contacts 	Cat 6A	26	S/UTP	963-003-26	.220 (5.59)	858-003-01F A185048-01	858-004-01F A185048-01
	Cat 6A	26	S/FTP	963-033-26	.220 (5.59)	858-003-02F A185048-02	858-004-02F A185048-02
	Cat 6A	28	S/FTP	963-033-28	.177 (4.50)	858-003-03F A185048-03	858-004-03F A185048-03
	Cat 8	26	S/FTP	963-132-26	.220 (5.59)	858-003-04F A185048-04	858-004-04F A185048-04
	Cat 8	26	S/FTP	963-135-26	.220 (5.59)	858-003-05F A185048-05	858-004-05F A185048-05
<ul style="list-style-type: none"> • Series 792 • Series 806 • Series 816 Type I Contacts 	Cat 6A	26	S/UTP	963-003-26	.220 (5.59)	858-045-01F A185151-01	858-046-01F A185151-01
	Cat 6A	26	S/FTP	963-033-26	.220 (5.59)	858-045-02F A185151-02	858-046-02F A185151-02
	Cat 6A	28	S/FTP	963-033-28	.177 (4.50)	858-045-03F A185151-03	858-046-03F A185151-03
	Cat 8	26	S/FTP	963-132-26	.220 (5.59)	858-045-04F A185151-04	858-046-04F A185151-04
	Cat 8	26	S/FTP	963-135-26	.220 (5.59)	858-045-05F A185151-05	858-046-05F A185151-05

EL OCHITO[®] CONTACT ORDERING INFORMATION

Ordering Information: El Ochito[®] White Contacts, Type II



EL OCHITO[®] CONTACT ORDERING INFORMATION

El Ochito[®] Contacts: How To Order



Data Protocol: Cat 6A up to 10G, Cat 8 up to 40G Ethernet
El Ochito[®] White

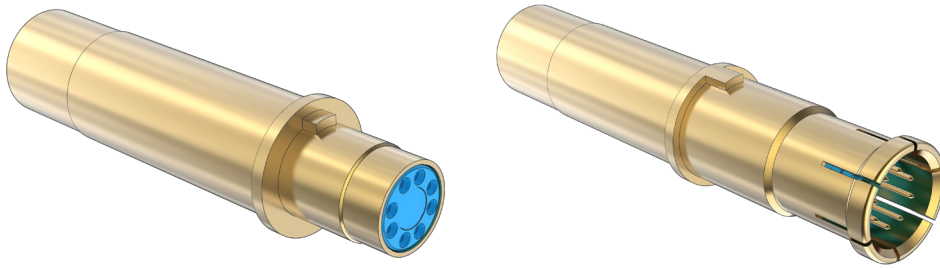
Connector Type	Protocol	Wire Size	Cable Type	Recommended Cable		El Ochito [®] Type II	
				Glenair Part No.	Cable Dia.	Pin Contact Assembly Instr.	Skt Contact Assembly Instr.
• EN3545 Type II Contacts	Cat 6A	26	S/UTP	963-003-26	.220 (5.59)	858-061-01 A185193-01P	858-062-01 A185193-01S
	Cat 6A	26	S/FTP	963-033-26	.220 (5.59)	858-061-02 A185193-02P	858-062-02 A185193-02S
	Cat 6A	24	S/UTP	963-037-24	.260 (6.60)	858-061-03 A185193-03P	858-062-03 A185193-03S
	Cat 6A	24	S/FTP	963-033-24	.260 (6.60)	858-061-04 A185193-04P	858-062-04 A185193-04S
	Cat 6A	24	S/UTP	963-003-24	.280 (7.11)	858-061-05 A185193-05P	858-062-05 A185193-05S
	Cat 8	26	S/FTP	963-132-26	.220 (5.59)	858-061-06 A185193-06P	858-062-06 A185193-06S
	Cat 8	24	S/FTP	963-132-24	.260 (6.60)	858-061-07 A185193-07P	858-062-07 A185193-07S
	Cat 8	26	S/FTP	963-135-26	.220 (5.59)	858-061-08 A185193-08P	858-062-08 A185193-08S
• SuperNine [®] (Series 23) • HiPer-D [®] (Series 28) Type II Contacts	Cat 6A	26	S/UTP	963-003-26	.220 (5.59)	858-005-01 A185097-01	858-006-01 A185097-01
	Cat 6A	26	S/FTP	963-033-26	.220 (5.59)	858-005-02 A185097-02	858-006-02 A185097-02
	Cat 6A	24	S/UTP	963-037-24	.260 (6.60)	858-005-03 A185097-03	858-006-03 A185097-03
	Cat 6A	24	S/FTP	963-033-24	.260 (6.60)	858-005-04 A185097-04	858-006-04 A185097-04
	Cat 6A	24	S/UTP	963-003-24	.280 (7.11)	858-005-05 A185097-05	858-006-05 A185097-05
	Cat 8	26	S/FTP	963-132-26	.220 (5.59)	858-005-06 A185097-06	858-006-06 A185097-06
	Cat 8	24	S/FTP	963-132-24	.260 (6.60)	858-005-07 A185097-07	858-006-07 A185097-07
	Cat 8	26	S/FTP	963-135-26	.220 (5.59)	858-005-08 A185097-08	858-006-08 A185097-08

Ordering Information: El Ochito[®] White Contacts, Type II


El Ochito [®] Contacts: How To Order							
 Data Protocol: Cat 6A up to 10G, Cat 8 up to 40G Ethernet El Ochito [®] White							
Connector Type	Protocol	Wire Size	Cable Type	Recommended Cable		El Ochito [®] Type II	
				Glenair Part No.	Cable Dia.	Pin Contact Assembly Instr.	Skt Contact Assembly Instr.
• Series 792 Type II Contacts	Cat 6A	26	S/UTP	963-003-26	.220 (5.59)	858-043-01 A185134-01	858-042-01 A185134-02
	Cat 6A	26	S/FTP	963-033-26	.220 (5.59)	858-043-02 A185134-02	858-042-02 A185134-02
	Cat 6A	24	S/UTP	963-037-24	.260 (6.60)	858-043-03 A185134-02	858-042-03 A185134-02
	Cat 6A	24	S/FTP	963-033-24	.260 (6.60)	858-043-04 A185134-04	858-042-04 A185134-04
	Cat 6A	24	S/UTP	963-003-24	.280 (7.11)	858-043-05 A185134-05	858-042-05 A185134-05
	Cat 8	26	S/FTP	963-132-26	.220 (5.59)	858-043-06 A185134-06	858-042-06 A185134-06
	Cat 8	24	S/FTP	963-132-24	.260 (6.60)	858-043-07 A185134-07	858-042-07 A185134-07
	Cat 8	26	S/FTP	963-135-26	.220 (5.59)	858-043-08 A185134-08	858-042-08 A185134-08
• Series 806 • Series 816 Type II Contacts	Cat 6A	26	S/UTP	963-003-26	.220 (5.59)	858-051-01 A185149-01	858-052-01 A185149-02
	Cat 6A	26	S/FTP	963-033-26	.220 (5.59)	858-051-02 A185149-02	858-052-02 A185149-02
	Cat 6A	24	S/UTP	963-037-24	.260 (6.60)	858-051-03 A185149-03	858-052-03 A185149-03
	Cat 6A	24	S/FTP	963-033-24	.260 (6.60)	858-051-04 A185149-04	858-052-04 A185149-04
	Cat 6A	24	S/UTP	963-003-24	.280 (7.11)	858-051-05 A185149-05	858-052-05 A185149-05
	Cat 8	26	S/FTP	963-132-26	.220 (5.59)	858-051-06 A185149-06	858-052-06 A185149-06
	Cat 8	24	S/FTP	963-132-24	.260 (6.60)	858-051-07 A185149-07	858-052-07 A185149-07
	Cat 8	26	S/FTP	963-135-26	.220 (5.59)	858-051-08 A185149-08	858-052-08 A185149-08

EL OCHITO[®] CONTACT ORDERING INFORMATION

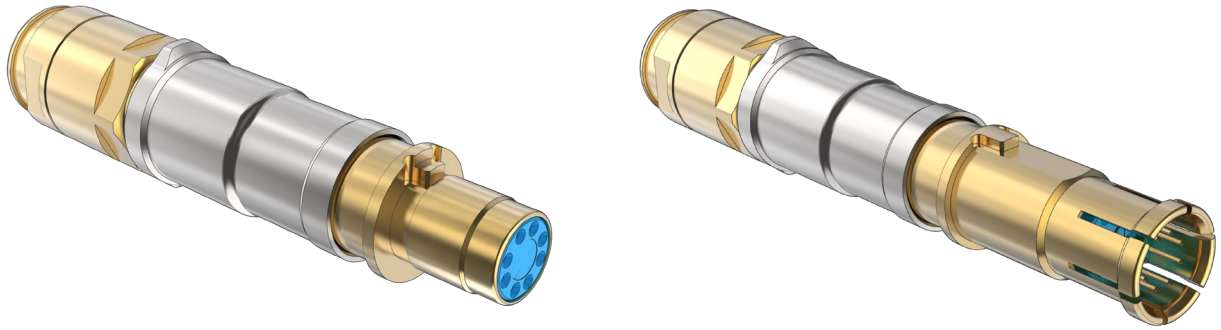
Ordering Information: El Ochito® Blue Contacts, Type I



EL OCHITO® CONTACT ORDERING INFORMATION

El Ochito® Contacts: How To Order						
 Data Protocol: SuperSpeed USB El Ochito® Blue						
Connector Type	Wire Size	Cable Type	Recommended Cable		El Ochito® Type I	
			Glenair Part No.	Cable Dia.	Pin Contact Assembly Instr.	Skt Contact Assembly Instr.
• ARINC 600 Type I Contact	24 PWR 28 DATA	Commercial Grade (PVC Jacket)	963-118	.217 (5.51)	858-038-01 AI85162-01	858-035-01 AI85162-01
	24 PWR 26 DATA	Aerospace Grade (Fluoropolymer Jacket)	963-110	.236 (5.99)	858-038-02 AI85162-02	858-035-02 AI85162-02
• SuperNine® (Series 23) • HiPer-D (Series 28) Type I Contact	24 PWR 28 DATA	Commercial Grade (PVC Jacket)	963-118	.217 (5.51)	858-028-01F AI85114-02	858-029-01F AI85114-02
	24 PWR 26 DATA	Aerospace Grade (Fluoropolymer Jacket)	963-110	.236 (5.99)	858-028-02F AI85090-01	858-029-02F AI85090-01
• Series 806 • Series 816 • Series 792 Type I Contact	24 PWR 28 DATA	Commercial Grade (PVC Jacket)	963-118	.217 (5.51)	858-047-01F AI85114-02	858-048-01F AI85114-02
	24 PWR 26 DATA	Aerospace Grade (Fluoropolymer Jacket)	963-110	.236 (5.99)	858-047-02F AI85090-01	858-048-02F AI85090-01
• EN3545 Type I Contact	24 PWR 28 DATA	Commercial Grade (PVC Jacket)	963-118	.217 (5.51)	858-057-01F AI85196-01P	858-058-01F AI85196-01S
	24 PWR 26 DATA	Aerospace Grade (Fluoropolymer Jacket)	963-110	.236 (5.99)	858-057-02F AI85196-02P	858-058-02F AI85196-02S

Ordering Information: El Ochito[®] Blue Contacts, Type II



El Ochito[®] Contacts: How To Order

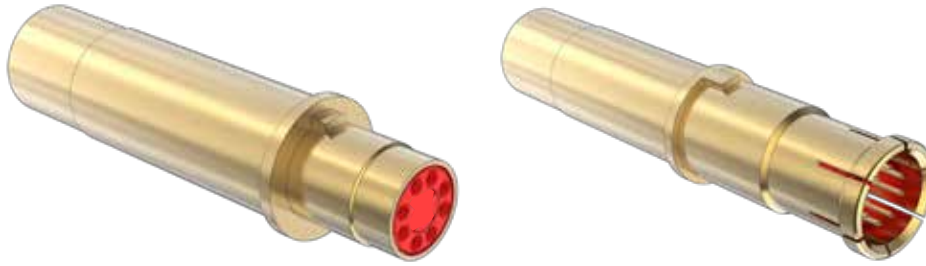


Data Protocol: SuperSpeed USB
El Ochito[®] Blue

Connector Type	Wire Size	Cable Type	Recommended Cable		El Ochito [®] Type II	
			Glenair Part No.	Cable Dia.	Pin Contact <i>Assembly Instr.</i>	Skt Contact <i>Assembly Instr.</i>
<ul style="list-style-type: none"> • SuperNine[®] (Series 23) • HiPer-D[®] (Series 28) Type II Contact	24 PWR 28 DATA	Commercial Grade (PVC Jacket)	963-118	.217 (5.51)	858-069-01 <i>AI85158-01</i>	858-070-01 <i>AI85158-01</i>
	24 PWR 26 DATA	Aerospace Grade (Fluoropolymer Jacket)	963-110	.236 (5.99)	858-069-02 <i>AI85158-02</i>	858-070-02 <i>AI85158-02</i>
<ul style="list-style-type: none"> • Series 792 Type II Contact	24 PWR 28 DATA	Commercial Grade (PVC Jacket)	963-118	.217 (5.51)	858-071-01 <i>AI85158-01</i>	858-072-01 <i>AI85158-01</i>
	24 PWR 26 DATA	Aerospace Grade (Fluoropolymer Jacket)	963-110	.236 (5.99)	858-071-02 <i>AI85158-01</i>	858-072-02 <i>AI85158-01</i>
<ul style="list-style-type: none"> • Series 806 • Series 816 Type II Contact	24 PWR, 28 DATA	Commercial Grade (PVC Jacket)	963-118	.217 (5.51)	858-073-01 <i>AI85158-01</i>	858-074-01 <i>AI85158-01</i>
	24 PWR 26 DATA	Aerospace Grade (Fluoropolymer Jacket)	963-110	.236 (5.99)	858-073-02 <i>AI85158-02</i>	858-074-02 <i>AI85158-02</i>

EL OCHITO[®] CONTACT ORDERING INFORMATION

Ordering Information: El Ochito[®] Red Contacts Type I



EL OCHITO[®] CONTACT ORDERING INFORMATION

El Ochito[®] Contacts: How To Order



Data Protocol: HDMI/SATA/DisplayPort/General High-Speed
El Ochito[®] Red

Connector Type	Wire Size	Cable Type	Recommended Cable		El Ochito [®] Type I	
			Glenair Part No.	Cable Dia.	Pin Contact Assembly Instr.	Skt Contact Assembly Instr.
<ul style="list-style-type: none"> • ARINC 600 Type I Contact	26	Up to 1 Gbps per pair 4 x S/FTP	963-033-26	.220 (5.59)	858-039-01 A185084-01	858-037-01 A185084-01
	26	Up to 10 Gbps per pair 4 x S/FTP	963-122-X See Page 34	.277-.299 (7.04-7.60)	858-039-01 A185084-01	858-037-01 A185084-01
	24	SATA 2 x Parallel Pairs	963-133	.225 (5.71)	858-039-02 A185161-01	858-037-02 A185161-01
<ul style="list-style-type: none"> • SuperNine[®] (Series 23) • HiPer-D[®] (Series 28) Type I Contact	26	Up to 1 Gbps per pair 4 x S/FTP	963-033-26	.220 (5.59)	858-030-02F A185048-02	858-031-02F A185048-02
	26	Up to 10 Gbps per pair 4 x S/FTP	963-122-X See Page 34	.277-.299 (7.04-7.60)	858-030-02* A185048-02	858-031-02* A185048-02
	24	SATA 2 x Parallel Pairs	963-133	.225 (5.71)	858-030-03F A185159-01	858-031-03F A185048-02
<ul style="list-style-type: none"> • Series 806 • Series 816 • Series 792 Type I Contact	26	Up to 1 Gbps per pair 4 x S/FTP	963-033-26	.220 (5.59)	858-049-01F A185151-02	858-050-01F A185151-02
	26	Up to 10 Gbps per pair 4 x S/FTP	963-122-X See Page 34	.277-.299 (7.04-7.60)	858-049-01* A185151-02	858-050-01* A185151-02
	24	SATA 2 x Parallel Pairs	963-133	.225 (5.71)	858-049-02F A185151-02	858-050-02F A185151-02
<ul style="list-style-type: none"> • EN3545 Type I Contact	26	Up to 1 Gbps per pair 4 x S/FTP	963-033-26	.220 (5.59)	858-059-01F A185194-01P	858-060-01F A185194-01S
	26	Up to 10 Gbps per pair 4 x S/FTP	963-122-X See Page 34	.277-.299 (7.04-7.60)	858-059-01* A185194-01P	858-060-01* A185194-01S
	26	SATA 2 x Parallel Pairs	963-133	.225 (5.71)	858-059-02F A185197-01P	858-060-02F A185197-01S

*Cable is not compatible with grommet followers. Contact factory if sealing is required.

Ordering Information: El Ochito® Red Contacts Type II



El Ochito® Contacts: How To Order



Data Protocol: HDMI/SATA/DisplayPort/General High-Speed
El Ochito® Red

Connector Type	Wire Size	Cable Type	Cable		El Ochito® Type II	
			Glenair Part No.	Cable Dia.	Pin Contact Assembly Instr.	Skt Contact Assembly Instr.
<ul style="list-style-type: none"> • SuperNine® (Series 23) • HiPer-D® (Series 28) Type II Contact	26	Up to 1 Gbps per pair 4 x S/FTP	963-033-26	.220 (5.59)	858-063-01 AI85149-02	858-064-01 AI85149-02
	24	Up to 1 Gbps per pair 4 x S/FTP	963-033-24	.260 (6.60)	858-063-02 AI85149-04	858-064-02 AI85149-04
<ul style="list-style-type: none"> • Series 792 Type II Contact	26	Up to 1 Gbps per pair 4 x S/FTP	963-033-26	.220 (5.59)	858-065-01 AI85149-02	858-066-01 AI85149-02
	24	Up to 1 Gbps per pair 4 x S/FTP	963-033-24	.260 (6.60)	858-065-02 AI85149-04	858-066-02 AI85149-04
<ul style="list-style-type: none"> • Series 806 • Series 816 Type II Contact	26	Up to 1 Gbps per pair 4 x S/FTP	963-033-26	.220 (5.59)	858-067-01 AI85149-01	858-068-01 AI85149-02
	24	Up to 1 Gbps per pair 4 x S/FTP	963-033-24	.260 (6.60)	858-067-02 AI85149-02	858-068-02 AI85149-04

EL OCHITO® CONTACT ORDERING INFORMATION

NASA Space-Grade Guidelines and Outgas Data

MOD CODES AND OUTGAS DATA

MODIFICATION CODE -429 SPECIAL INSPECTION PER NASA EEE-INST-002

Modification code -429 is added to the end of a part number for special inspection per NASA EEE-INST-002. These modification codes are available for all El Ochito contact kits (e.g. 858-003-02-429).

With proper cable selection, 429 mod codes may also be applied to El Ochito jumpers (series 857X-XXXX-429). Contact factory for details.

NASA Screening Level and Available Outgassing Modification Codes				
Screening Level	Screening Only	48 Hour Oven Bake 175° C	Thermal Vacuum Outgassing (10-6 Torr)	
			24 Hour 125° C	48 Hour 175° C
NASA, Level 1 Highest Reliability	429B	429J	429C	
NASA, Level 2 High Reliability	429	429K	429A	429AA
NASA, Level 3 Std. Reliability	Use Standard Part Number		429L	

SPACEWIRE


Glenair SpaceWire assemblies begin with a high-performance cable built with expanded polytetrafluoroethylene (ePTFE) insulation. This material allows for low-loss transmission of LVDS signals, maximizing data-rates while allowing for the implementation of standard hardware protocols, thus eliminating the need for design customization and long lead time cable projects.

In order to meet the stringent crosstalk requirements of SpaceWire, El Ochito White is required. El Ochito White Type II contacts are compatible with #28 AWG SpaceWire (ESCC-3902/003-01). For applications requiring #26 AWG ESCC-3902/003-02 type SpaceWire please consult factory.

OUTGAS DATA

El Ochito White				
Component	Material	TML%	CVCM%	Test Reference
Inner & Outer Insulator	Natural, Unfilled PPS	0.07	<0.01	Glenair test at Pacific Testing Laboratories 2-22-2022 TR73209
Spacer (Cabled Ochito Only)	Ultem 1000	0.69	0.00	NASA Outgassing Data for Selecting Spacecraft Materials
Rear Insulator (PC Tail El Ochito Only)	PTFE	0.01	0.00	NASA Outgassing Data for Selecting Spacecraft Materials
Epoxy (PC Tail El Ochito Only)	Hysol EE-4215	0.55	<0.01	Glenair test at Pacific Testing Laboratories 7-25-2017 TR59899-3
O-Ring & Cable Grommet (Grommet Follower & Type II Only)	70/30 Fluorosilicone/Silicone Blend per GPS78 Grade 40	0.12	0.02	Glenair test at Pacific Testing Laboratories 6-17-2020
Cable Grommet Follower (Grommet Follower Option Only)	Ultem 2300	0.44	0.00	NASA Outgassing Data for Selecting Spacecraft Materials
Ink Marking	Markem-Imaje 7224 Series	0.41	0.04	NASA Outgassing Data for Selecting Spacecraft Materials

NASA Space-Grade Guidelines and Outgas Data

 El Ochito Blue				
Component	Material	TML%	CVCM%	Test Reference
Inner & Outer Insulator	GPS169	0.20	<0.01	Glenair test at Pacific Testing Laboratories 7-19-2021 TR71364
Spacer (Cabled Ochito Only)	Ultem 1000	0.69	0.00	NASA Outgassing Data for Selecting Spacecraft Materials
Rear Insulator (PC Tail El Ochito Only)	PTFE	0.01	0.00	NASA Outgassing Data for Selecting Spacecraft Materials
Epoxy (PC Tail El Ochito Only)	No. 1 Vary Flex	0.29	0.01	NASA Outgassing Data for Selecting Spacecraft Materials
O-Ring & Cable Grommet (Grommet Follower & Type II Only)	70/30 Fluorosilicone/ Silicone Blend per GPS78 Grade 40	0.12	0.02	Glenair test at Pacific Testing Laboratories 6-17-2020
Cable Grommet Follower (Grommet Follower Option Only)	Ultem 2300	0.44	0.00	NASA Outgassing Data for Selecting Spacecraft Materials
Ink Marking	Markem-Imaje 7224 Series	0.41	0.04	NASA Outgassing Data for Selecting Spacecraft Materials

 El Ochito Red				
Component	Material	TML%	CVCM%	Test Reference
Inner & Outer Insulator	GPS173	0.20	0.01	Glenair test at Pacific Testing Laboratories 7-19-2021 TR71364
Spacer (Cabled Ochito Only)	Ultem 1000	0.69	0.00	NASA Outgassing Data for Selecting Spacecraft Materials
Rear Insulator (PC Tail El Ochito Only)	PTFE	0.01	0.00	NASA Outgassing Data for Selecting Spacecraft Materials
Epoxy (PC Tail El Ochito Only)	No. 1 Vary Flex	0.29	0.01	NASA Outgassing Data for Selecting Spacecraft Materials
O-Ring & Cable Grommet (Grommet Follower & Type II Only)	70/30 Fluorosilicone/ Silicone Blend per GPS78 Grade 40	0.12	0.02	Glenair test at Pacific Testing Laboratories 6-17-2020
Cable Grommet Follower (Grommet Follower Option Only)	Ultem 2300	0.44	0.00	NASA Outgassing Data for Selecting Spacecraft Materials
Ink Marking	Markem-Imaje 7224 Series	0.41	0.04	NASA Outgassing Data for Selecting Spacecraft Materials

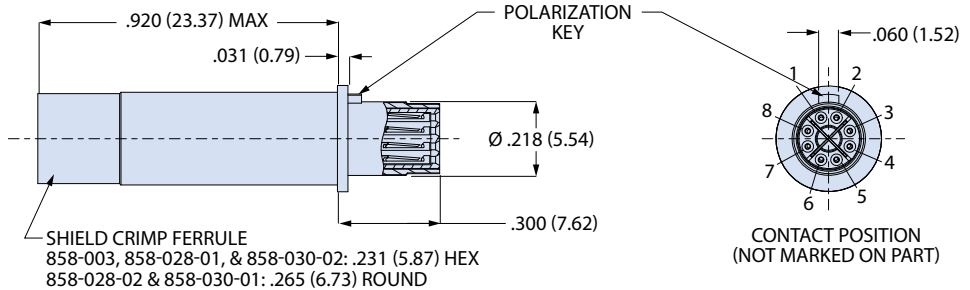
MOD CODES AND OUTGAS DATA

Dimensions: Series 23 SuperNine, Series 28 HiPer-D Contacts

El Ochito[®] Type I, Pin and Socket Contacts for Series 23 SuperNine and Series 28 HiPer-D

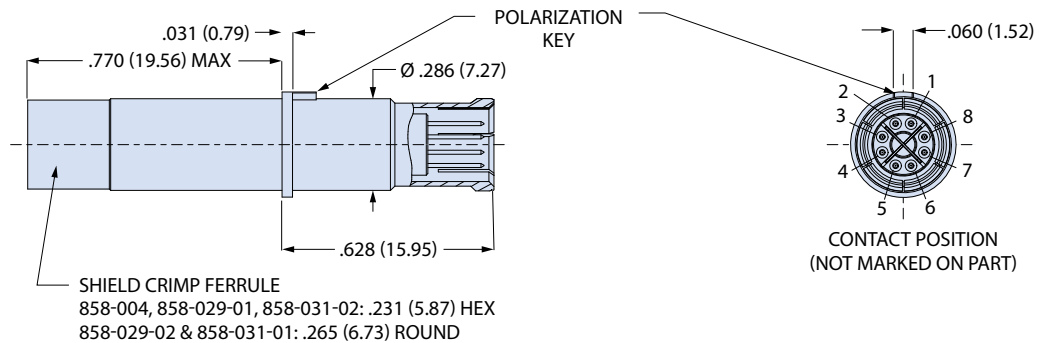
Pin Contact

Type I	
Color	Pin
White	858-003
Blue	858-028
Red	858-030



Socket Contact

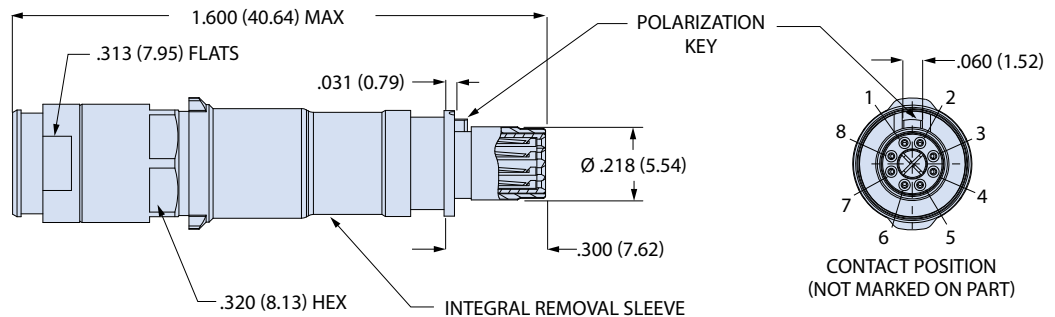
Type I	
Color	Socket
White	858-004
Blue	858-029
Red	858-031



El Ochito[®] Type II, Pin and Socket Contacts for Series 23 SuperNine and Series 28 HiPer-D

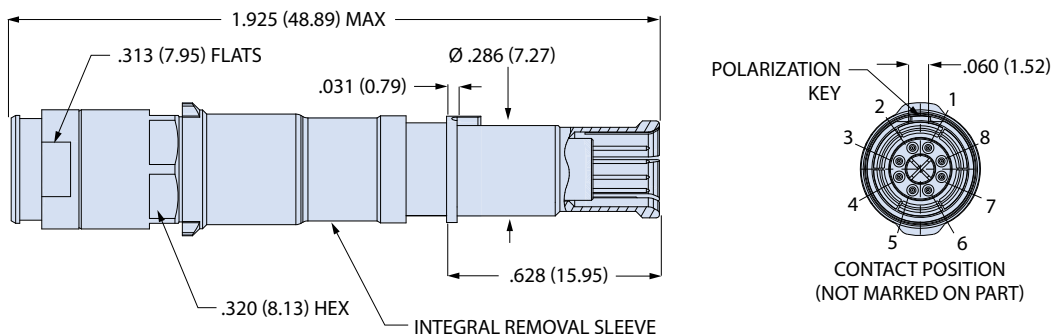
Pin Contact

Type II	
Color	Pin
White	858-005
Blue	858-069
Red	858-063



Socket Contact

Type II	
Color	Socket
White	858-006
Blue	858-070
Red	858-064

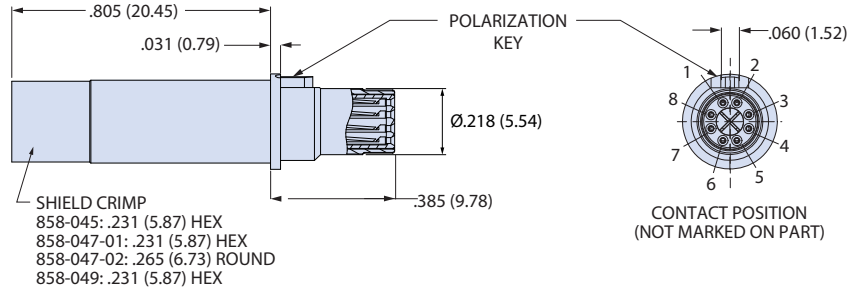


Dimensions: Series 792 Contacts

El Ochito[®] Type I, Pin and Socket Contacts for Series 792

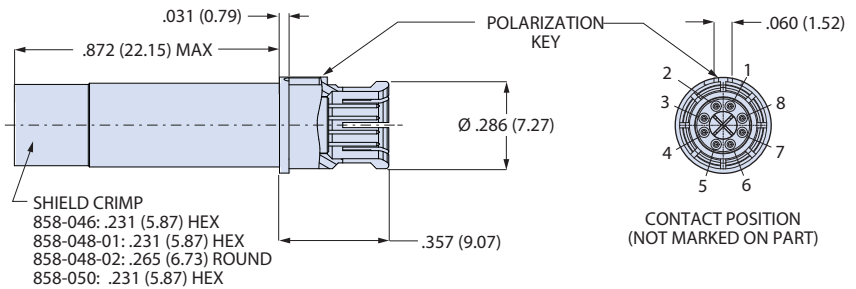
Pin Contact

Type I	
Color	Pin
White	858-045
Blue	858-047
Red	858-049



Socket Contact

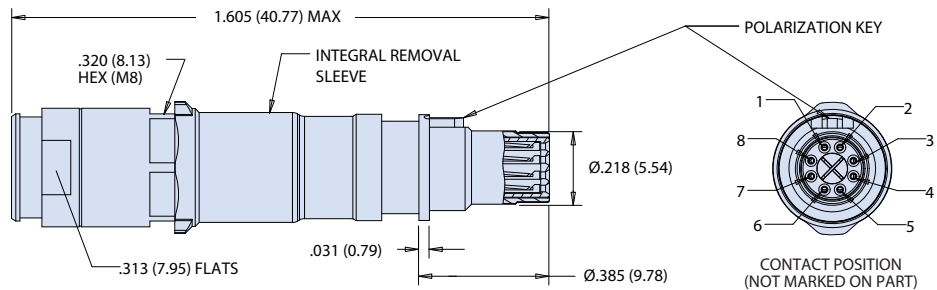
Type I	
Color	Socket
White	858-046
Blue	858-048
Red	858-050



El Ochito[®] Type II, Pin and Socket Contacts for Series 792

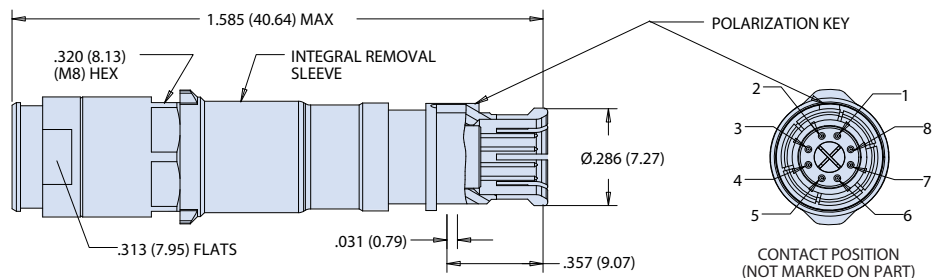
Pin Contact

Type II	
Color	Pin
White	858-043
Blue	858-071
Red	858-065



Socket Contact

Type II	
Color	Socket
White	858-042
Blue	858-072
Red	858-066

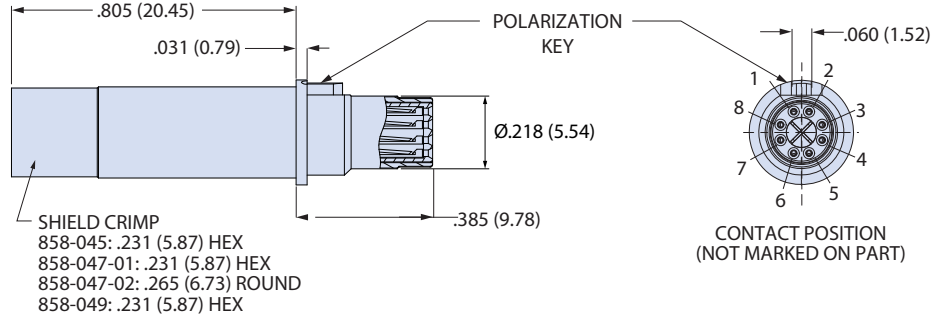


Dimensions: Series 806 and 816 Contacts

El Ochito[®] Type I, Pin and Socket Contacts for Series 806 and Series 816

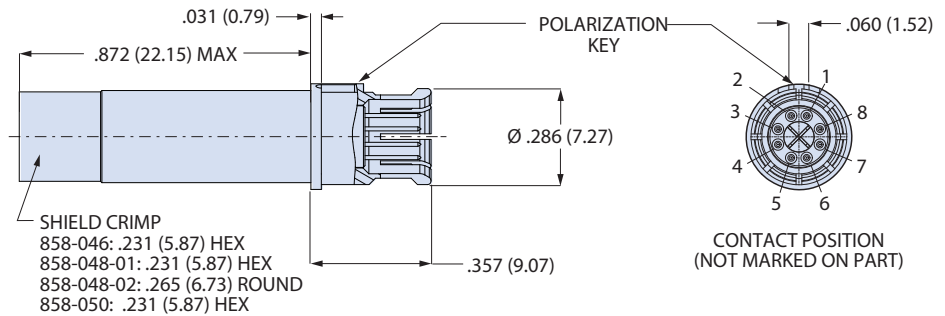
Pin Contact

Type I	
Color	Pin
White	858-045
Blue	858-047
Red	858-049



Socket Contact

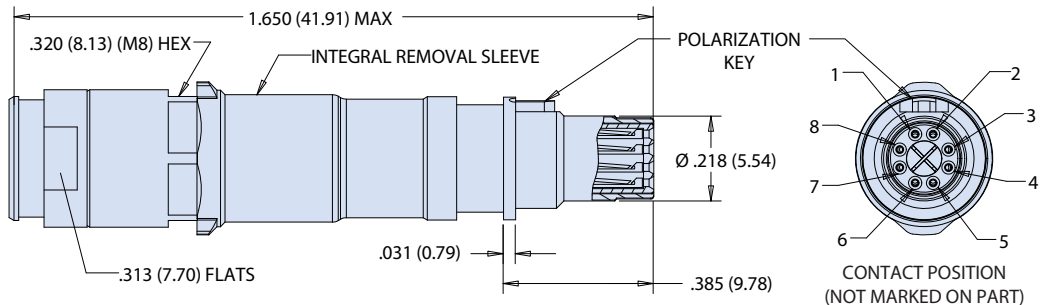
Type I	
Color	Socket
White	858-046
Blue	858-048
Red	858-050



El Ochito[®] Type II, Pin and Socket Contacts for Series 806 and Series 816

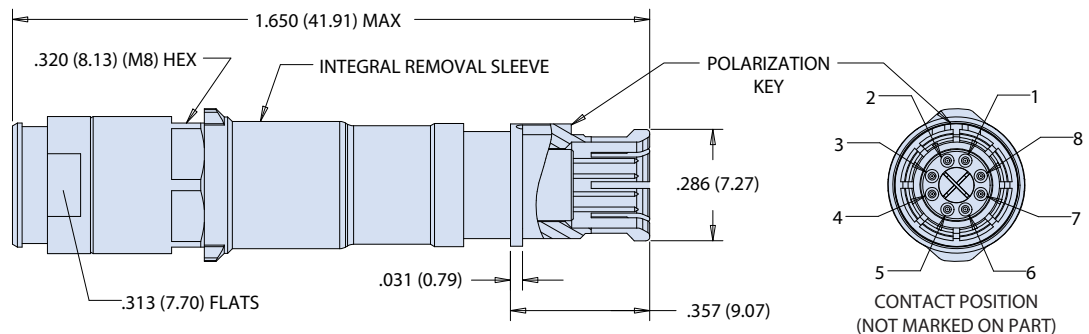
Pin Contact

Type II	
Color	Pin
White	858-051
Blue	858-073
Red	858-067



Socket Contact

Type II	
Color	Socket
White	858-052
Blue	858-074
Red	858-068

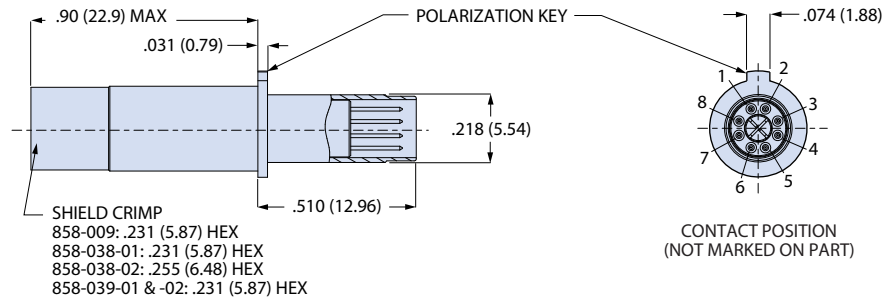


Dimensions: ARINC 600 and EPXB Contacts

El Ochito® Type I, Pin and Socket Contacts for ARINC 600

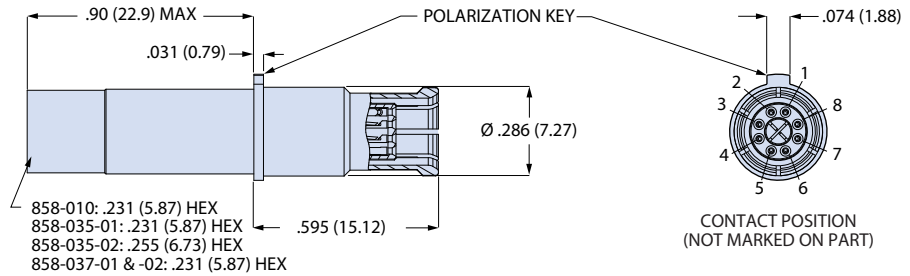
Pin Contact

Type I	
Color	Pin
White	858-009
Blue	858-038
Red	858-039



Socket Contact

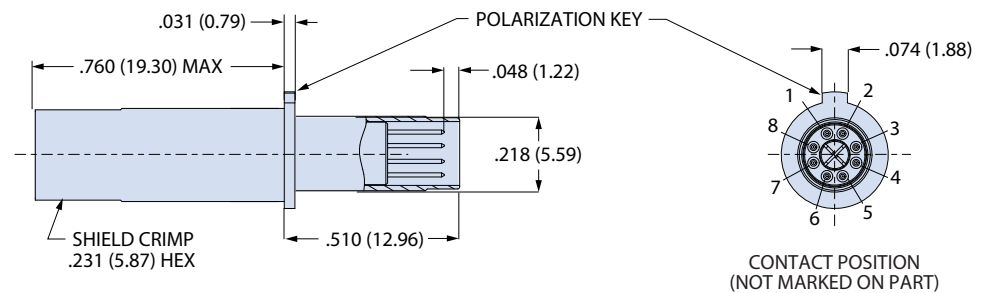
Type I	
Color	Socket
White	858-010
Blue	858-035
Red	858-037



El Ochito® Type I, Pin and Socket Contacts EPXB

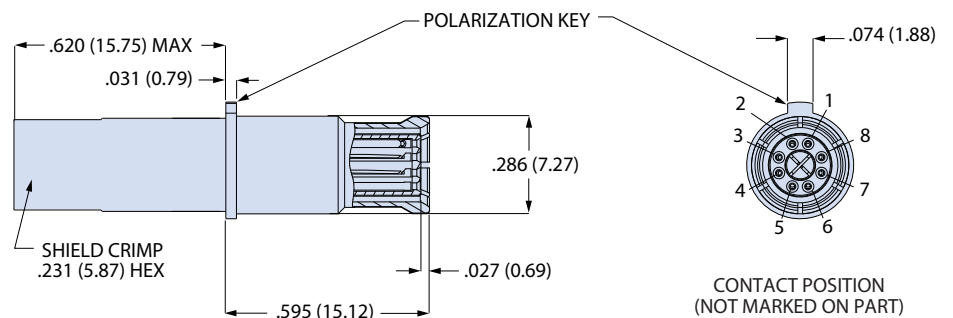
Pin Contact

Type I	
Color	Pin
White	858-014



Socket Contact

Type I	
Color	Socket
White	858-015



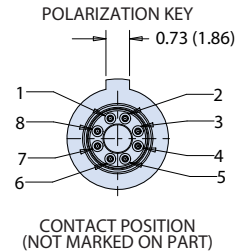
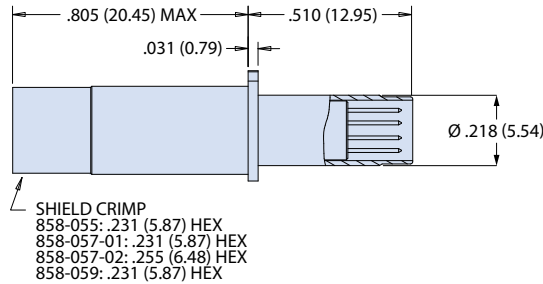
EL OCHITO® CONTACT DIMENSIONS

Dimensions: EN3545 Contacts

El Ochito[®] Type I, Pin and Socket Contacts for EN3545

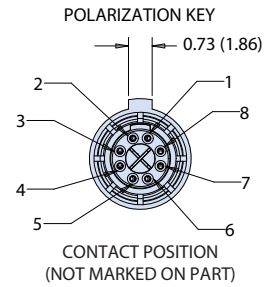
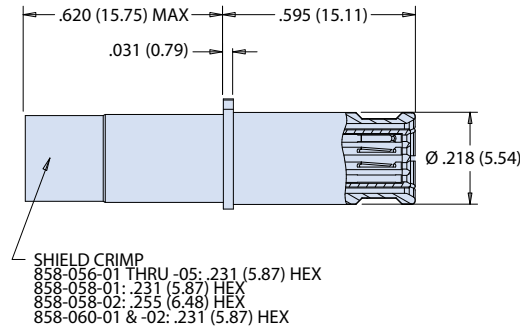
Pin Contact

Type I	
Color	Pin
White	858-055
Blue	858-057
Red	858-059



Socket Contact

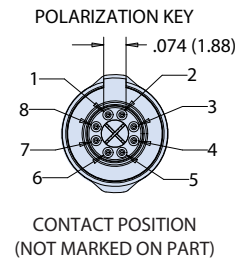
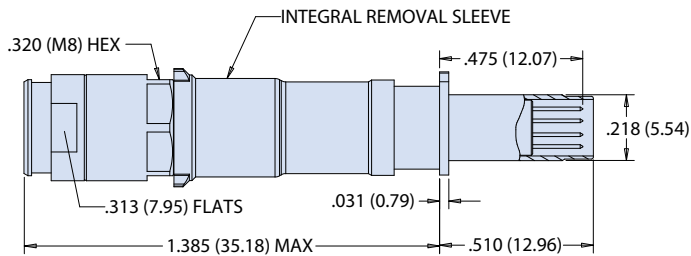
Type I	
Color	Socket
White	858-056
Blue	858-058
Red	858-060



El Ochito[®] Type II, Pin and Socket Contacts for EN3545

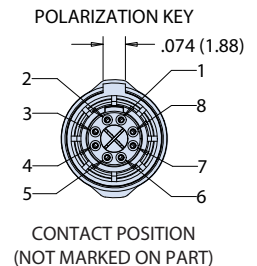
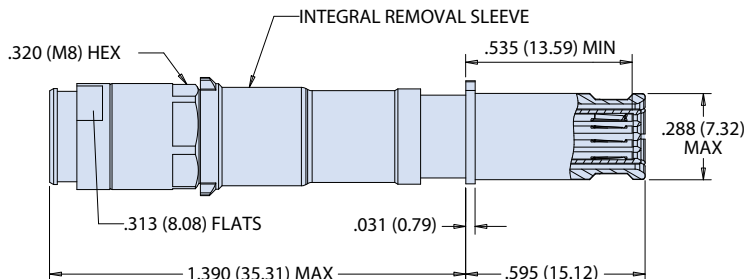
Pin Contact

Type II	
Color	Pin
White	858-061



Socket Contact

Type II	
Color	Socket
White	858-062

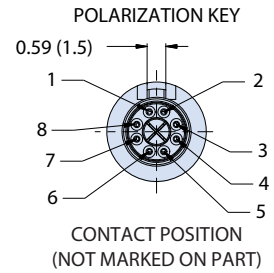
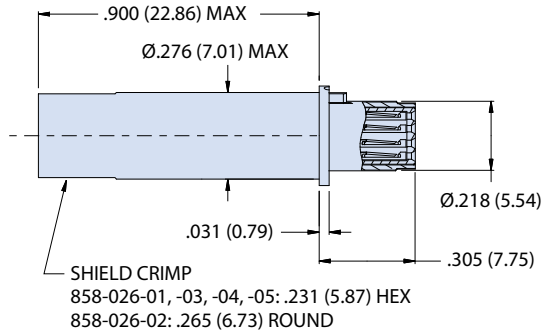


Dimensions: EN4165/EN3645 Contacts

El Ochito[®] Type I, Pin and Socket Contacts for EN4165 and EN3645

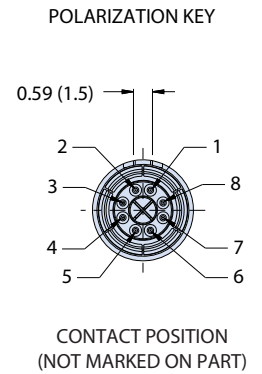
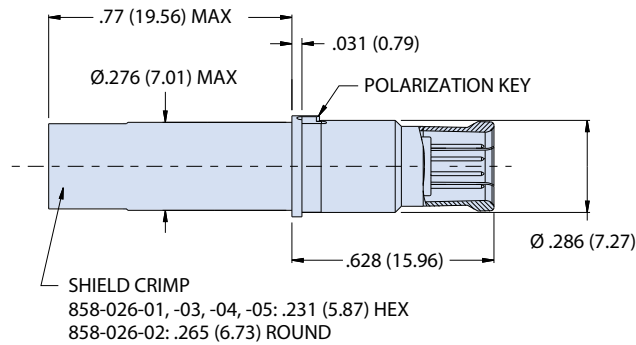
Pin Contact

Type I	
Color	Pin
White	858-026



Socket Contact

Type I	
Color	Socket
White	858-027



El Ochito Assembly Kit 600-280

EL OCHITO® ASSEMBLY KITS AND TOOLS



El Ochito Assembly Kit 600-280 incorporates all the tools necessary to terminate El Ochito red, blue, and white contacts. Kit includes portable protective case with cutout foam for tool protection and ease of transportation. Order by corresponding connector series kit number (SuperNine, ARINC, Series 792, 280, 801, 805, 806, and 816).

El Ochito Installation Kit

Sample Part Number→	600-280	-P	H
Product	600-280 = El Ochito Installation Tool Kit		
Kit Number	-01, -02, -03, -04, -05, -06, -07, -08, -09, -10H, -ALL		
Modifier	Omit = None H = Hex Crimp Only; See note 1		

Notes

- Modifier "H" Removes all tools and dies associated with the circle body crimp. See Table 1. Not applicable to "-01", "-02", or "-03". Not applicable to "-ALL", use "-10H" instead.

Table II: Items Removed By Modifier "H"

Tool Description	P/N
859-134 (GS206) Positioner 1	859-184-1
859-134 (GS206) Positioner 2	859-184-2
859-134 (GS206) Positioner 3	859-184-3
Circle Body Crimper (GS206)	859-134

Table I - Kit Options

Kit No.	Description	Connector Series
-01	Basic Assembly (See Table III)	SuperNine (Series 23), HiPer-D (Series 28)
-02		ARINC 600, EPXB, EN3545
-03		Series 792, 806, 816
-04	Basic + Crimp Dies + Positioners (See Table IV)	SuperNine (Series 23), HiPer-D (Series 28)
-05		ARINC 600, EPXB, EN3545
-06		Series 792, 806, 816
-07	Basic + Crimp Dies + Positioners + Crimp Tools (See Table V)	SuperNine (Series 23), HiPer-D (Series 28)
-08		ARINC 600, EPXB, EN3545
-09		Series 792, 806, 816
-10H'	Basic + Crimp Dies + Positioners + Crimp Tools (See Table VI)	All
-ALL		

Table III - Basic Kits

-01		-02		-03	
Tool Description	P/N	Tool Description	P/N	Tool Description	Part Number
Socket El Ochito Alignment Tool	600-235	Socket El Ochito Alignment Tool	600-243	Socket El Ochito Alignment Tool	600-235
Pin El Ochito Alignment Tool	600-236	Pin El Ochito Alignment Tool	600-244	Pin El Ochito Alignment Tool	600-274
Ferrule Inserter	600-242	Ferrule Inserter	600-242	Ferrule Inserter	600-242

El Ochito Assembly Kit 600-280

Table IV - Basic Kits + Crimp Dies & Positioners

-04		-05		-06	
Tool Description	P/N	Tool Description	P/N	Tool Description	P/N
Socket El Ochito Alignment Tool	600-235	Socket Ochito Alignment Tool	600-243	Socket Ochito Alignment Tool	600-235
Pin El Ochito Alignment Tool	600-236	Pin Ochito Alignment Tool	600-244	Pin Ochito Alignment Tool	600-274
Ferrule Inserter	600-242	Ferrule Inserter	600-242	Ferrule Inserter	600-242
Contact Positioner (K1906)	859-101	Contact Positioner (K1906)	859-101	Contact Positioner (K1906)	859-101
Body Hex Crimp Die (M22520/5-45)	859-007	Body Hex Crimp Die (M22520/5-45)	859-007	Body Hex Crimp Die (M22520/5-45)	859-007
859-134 (GS206) Positioner 1	859-184-1	Expanded Hex Die	859-186	859-134 (GS206) Positioner 1	859-184-1
859-134 (GS206) Positioner 2	859-184-2	Removal Tool (M81969/14-12)	859-049	859-134 (GS206) Positioner 2	859-184-2
859-134 (GS206) Positioner 3	859-184-3			859-134 (GS206) Positioner 3	859-184-3
Removal Tool (M81969/14-12)	859-049			Removal Tool (M81969/14-12)	859-049

Table V - Basic Kits + Crimp Dies & Positioners + Crimp Tools

-07		-08		-09	
Tool Description	P/N	Tool Description	P/N	Tool Description	P/N
Socket El Ochito Alignment Tool	600-235	Socket El Ochito Alignment Tool	600-243	Socket El Ochito Alignment Tool	600-235
Pin El Ochito Alignment Tool	600-236	Pin El Ochito Alignment Tool	600-244	Pin El Ochito Alignment Tool	600-274
Ferrule Inserter	600-242	Ferrule Inserter	600-242	Ferrule Inserter	600-242
Contact Positioner (K1906)	859-101	Contact Positioner (K1906)	859-101	Contact Positioner (K1906)	859-101
Body Hex Crimp Die (M22520/5-45)	859-007	Body Hex Crimp Die (M22520/5-45)	859-007	Body Hex Crimp Die (M22520/5-45)	859-007
859-134 (GS206) Positioner 1	859-184-1	Expanded Hex Die	859-186	859-134 (GS206) Positioner 1	859-184-1
859-134 (GS206) Positioner 2	859-184-2	Removal Tool (M81969/14-12)	859-049	859-134 (GS206) Positioner 2	859-184-2
859-134 (GS206) Positioner 3	859-184-3	Contact Crimper (M22520/2-01)	809-015	859-134 (GS206) Positioner 3	859-184-3
Removal Tool (M81969/14-12)	859-049	Hex Body Crimper (M22520/5-01)	809-129	Removal Tool (M81969/14-12)	859-049
Contact Crimper (M22520/2-01)	809-015			Contact Crimper (M22520/2-01)	809-015
Hex Body Crimper (M22520/5-01)	809-129			Hex Body Crimper (M22520/5-01)	809-129
Circle Body Crimper (GS206)	859-134			Circle Body Crimper (GS206)	859-134

Table VI - All Inclusive Kits

10H		All	
Tool Description	P/N	Tool Description	P/N
Socket Ochito Alignment Tool	600-235	Socket Ochito Alignment Tool	600-235
Pin Ochito Alignment Tool	600-236	Pin Ochito Alignment Tool	600-236
Ferrule Inserter	600-242	Ferrule Inserter	600-242
Socket Ochito Alignment Tool	600-244	Socket Ochito Alignment Tool	600-244
Pin Ochito Alignment Tool	600-243	Pin Ochito Alignment Tool	600-243
Pin Ochito Alignment Tool	600-274	Pin Ochito Alignment Tool	600-274
Contact Positioner (K1906)	859-101	Inner Contact Positioner	859-101
Body Hex Crimp Die (M22520/5-45)	859-007	Body Hex Crimp Die (M22520/5-45)	859-007
Expanded Hex Crimper	859-186	Expanded Hex Crimper	859-186
Removal Tool (M81969/14-12)	859-049	859-134 (GS206) Positioner 1	859-184-1
Contact Crimper (M22520/2-01)	809-015	859-134 (GS206) Positioner 2	859-184-2
Hex Crimper	809-129	859-134 (GS206) Positioner 3	859-184-3
		Removal Tool (M81969/14-12)	859-049
		Contact Crimper (M22520/2-01)	809-015
		Hex Body Crimper (M22520/5-01)	809-129
		Circle Body Crimper (GS206)	859-134

Assembly Tools

EL OCHITO® ASSEMBLY KITS AND TOOLS

Assembly Tools										
Contact PN	Inner Contact Crimp		Cable Shield Hex Crimp		Cable Shield Round Crimp			Key Alignment Tool	Ferrule Insertion Tool	Mating Tool
	Tool	Positioner	Tool	Hex Die	Tool	Positioner 1	Positioner 2			
858-003	809-015	859-101	809-129	859-007				600-236	600-242	600-263
858-004	809-015	859-101	809-129	859-007				600-235	600-242	600-264
858-005	809-015	859-101						600-236	600-242	600-263
858-006	809-015	859-101						600-235	600-242	600-264
858-009	809-015	859-101	809-129	859-007				600-244	600-242	600-265
858-010	809-015	859-101	809-129	859-007				600-243	600-242	600-266
858-014	809-015	859-101	809-129	859-007				600-244	600-242	600-265
858-015	809-015	859-101	809-129	859-007				600-243	600-242	600-266
858-016	809-015	859-101			809-134	859-184-2	859-184-3	600-236	600-242	600-263
858-017	809-015	859-101			809-134	859-184-1	859-184-2	600-235	600-242	600-264
858-026	809-015	859-101	809-129	859-007				600-236	600-242	
858-027	809-015	859-101	809-129	859-007				600-236	600-242	
858-028-01	809-015	859-101	809-129	859-007				600-236	600-242	600-263
858-028-02	809-015	859-101			809-134	859-184-2	859-184-3	600-236	600-242	600-263
858-029-01	809-015	859-101	809-129	859-007				600-235	600-242	600-264
858-029-02	809-015	859-101			809-134	859-184-1	859-184-2	600-235	600-242	600-264
858-030-02	809-015	859-101	809-129	859-007				600-236	600-242	600-263
858-031-02	809-015	859-101	809-129	859-007				600-236	600-242	600-264
858-035-01	809-015	859-101	809-129	859-007				600-243	600-242	600-266
858-035-02	809-015	859-101	809-129	859-186				600-243	600-242	600-266
858-037	809-015	859-101	809-129	859-007				600-243	600-242	600-266
858-038-01	809-015	859-101	809-129	859-007				600-244	600-242	600-265
858-038-02	809-015	859-101	809-129	859-186				600-244	600-242	600-265
858-039	809-015	859-101	809-129	859-007				600-244	600-242	600-265
858-042	809-015	859-101						600-235	600-242	600-267
858-043	809-015	859-101						600-274	600-242	600-264
858-045	809-015	859-101	809-129	859-007				600-274	600-242	600-267
858-046	809-015	859-101	809-129	859-007				600-235	600-242	600-264
858-047-01	809-015	859-101	809-129	859-007				600-274	600-242	600-267
858-047-02	809-015	859-101			809-134	859-184-2	859-184-3	600-274	600-242	600-267
858-048-01	809-015	859-101	809-129	859-007				600-235	600-242	600-264
858-048-02	809-015	859-101			809-134	859-184-2	859-184-3	600-235	600-242	600-264
858-049	809-015	859-101	809-129	859-007				600-274	600-242	600-267
858-050	809-015	859-101	809-129	859-007				600-235	600-242	600-267
858-051	809-015	859-101						600-274	600-242	600-264
858-052	809-015	859-101						600-235	600-242	600-267
858-055	809-015	859-101	809-129	859-007				600-244	600-242	600-265
858-056	809-015	859-101	809-129	859-007				600-243	600-242	600-266
858-057-01	809-015	859-101	809-129	859-007				600-244	600-242	600-265
858-057-02	809-015	859-101	809-129	859-186				600-244	600-242	600-265

Assembly Tools

Assembly Tools										
Contact PN	Inner Contact Crimp		Cable Shield Hex Crimp		Cable Shield Round Crimp			Key Alignment Tool	Ferrule Insertion Tool	Mating Tool
	Tool	Positioner	Tool	Hex Die	Tool	Positioner 1	Positioner 2			
858-058-01	809-015	859-101	809-129	859-007				600-243	600-242	600-266
858-058-02	809-015	859-101	809-129	859-186				600-243	600-242	600-266
858-059	809-015	859-101	809-129	859-007				600-244	600-242	600-265
858-060	809-015	859-101	809-129	859-007				600-243	600-242	600-266
858-061	809-015	859-101						600-244	600-242	600-265
858-062	809-015	859-101						600-243	600-242	600-266
858-063	809-015	859-101						600-236	600-242	600-263
858-064	809-015	859-101						600-235	600-242	600-264
858-065	809-015	859-101						600-236	600-242	600-267
858-066	809-015	859-101						600-235	600-242	600-264
858-067	809-015	859-101						600-274	600-242	600-267
858-068	809-015	859-101						600-235	600-242	600-264
858-069	809-015	859-101						600-236	600-242	600-263
858-070	809-015	859-101						600-235	600-242	600-264
858-071	809-015	859-101						600-236	600-242	600-267
858-072	809-015	859-101						600-235	600-242	600-264
858-073	809-015	859-101						600-236	600-242	600-267
858-074	809-015	859-101						600-235	600-242	600-264

Inner Contact Crimp Tools		Cable Shield Crimp Tools				Removal Tool	
809-015 (M22520/2-01)	859-101 (K1906)	809-129 (M22520/5-01)	859-007 (M22520/5-45)	859-186	859-134 (GS206)	859-184	859-049 (M81969/14-12)

Key Alignment Tools*		Ferrule Insertion Tool	Jumper Cable Mating Adapters**	
600-235 & 600-243 Socket contact	600-236, -244, & -274 Pin contact	600-242	600-264 & -266 Socket Contact	600-263, -265, & -267 Pin Contact

* Only for use when assembling El Ochito contacts. Consult factory for available alignment inspection tools for existing assemblies.
 ** See page 50 for details

26 AWG Cat 6A Ethernet Cables for El Ochito® White

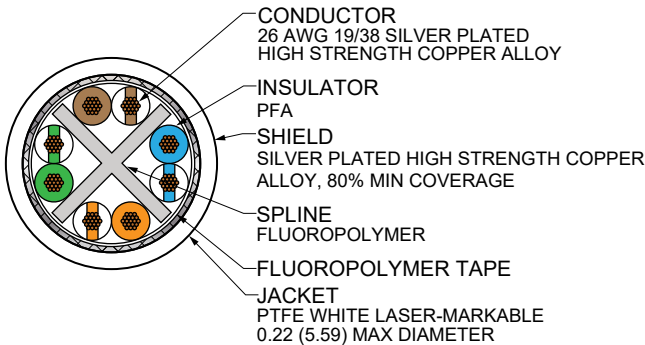
BULK CABLE

26 AWG S/UTP Cat 6A Cable

Glenair Part Number **963-003-26**

S/UTP 26 AWG cable delivers 10 Gigabit ethernet performance and is small, lightweight and flexible. Twisted pairs are separated by a fluoropolymer spline for reduced crosstalk and attenuation. This 200° C rated cable is Skydrol resistant, RoHS compliant and meets FAA FAR Parts 23 and 25 Appendix F flammability requirements. Meets TIA-568B Cat 6A performance up to 188 feet/ 57 meters.

Construction Details



Color Code

Pair #1 Blue, White/Blue · Pair #2 Orange, White/Orange ·
Pair #3 Green, White/Green · Pair #4 Brown, White/Brown

Specifications

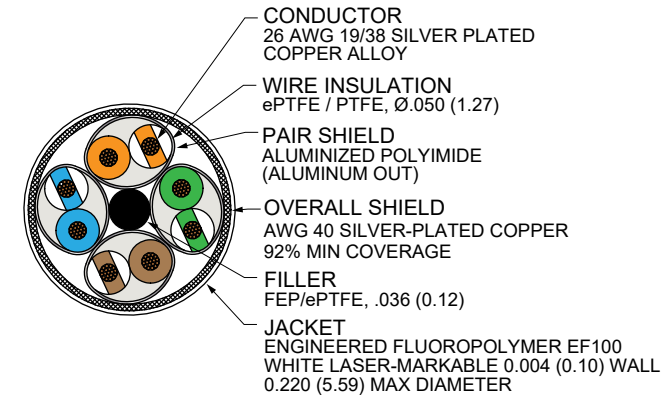
Impedance (ohms)	100	
Temperature Rating	-55° to +200°C	
Weight (lbs/100 ft.)	3.3	
Capacitance (pF/ft)	14.5	
Minimum Bend Radius (inches)	0.66 (16.76)	
Velocity of Propagation %	70.0	
DWV (kV rms)	1.5	
Max Distance in Feet (m)	214 (65)	
Attenuation Nom / Max	Frequency	dB/100 ft.
	10 MHz	2.6/3.0
	100 MHz	82./9.7
	250 MHz	13.2/15.8
	500 MHz	19.3/23.0

26 AWG S/FTP Cat 6A Cable

Glenair Part Number **963-033-26**

S/FTP 26 AWG cable has an individual foil shield around each data pair for reduced crosstalk and attenuation. This high data rate Ethernet cable features a unique cable jacket material and high-density construction that significantly reduces weight and diameter. Meets ANSI/TIA 568-C.2 Cat 6A requirement up to 213 feet/65 meters. **Qualified to SAE AS6070/5 and /6.**

Construction Details



Color Code

Pair #1 Blue, White/Blue · Pair #2 Orange, White/Orange ·
Pair #3 Green, White/Green · Pair #4 Brown, White/Brown

Specifications

Impedance (ohms)	100 (+10/-5)	
Temperature Rating	-65° to +200°C	
Weight (lbs/1000 ft.)	32.0	
Capacitance (pF/ft)	12.5	
Time Delay	1.24 ns/ft	
Bend Radius (min)	.44 (11.18)	
Maximum Attenuation at 65m Length	Frequency	dB
	10 MHz	5.9
	100 MHz	19.1
	200 MHz	27.6
	250 MHz	31.1
	500 MHz	45.3
NEXT (minimum)	Frequency	dB
	1 MHz	74.3
	10 MHz	59.2
	100 MHz	52.3
	250 MHz	47.9
	500 MHz	42.2

24 AWG Cat 6A Ethernet Cables for El Ochito® White

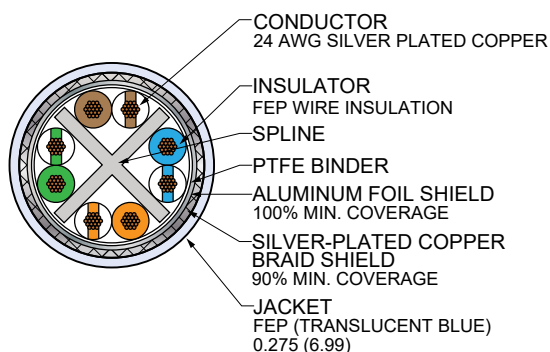
BULK CABLE

24 AWG S/UTP Cat 6A Cable

Glenair Part Number 963-003-24

S/UTP 24 AWG cable delivers 10 Gigabit ethernet performance and is small, lightweight, and flexible. Twisted pairs are separated by a fluoropolymer spline for reduced crosstalk and attenuation. This 200° C rated cable is Skydrol resistant, RoHS compliant and meets FAA FAR Parts 23 and 25 Appendix F flammability requirements. Rugged, FEP translucent jacket withstands abrasion and chemicals. Exceeds ANSI/TIA-568-C.2 Cat 6A Channel Requirements. Performance up to 246 feet/ 75 meters.

Construction Details



Color Code

Pair #1 Blue, White/Blue · Pair #2 Orange, White/Orange · Pair #3 Green, White/Green · Pair #4 Brown, White/Brown

Specifications

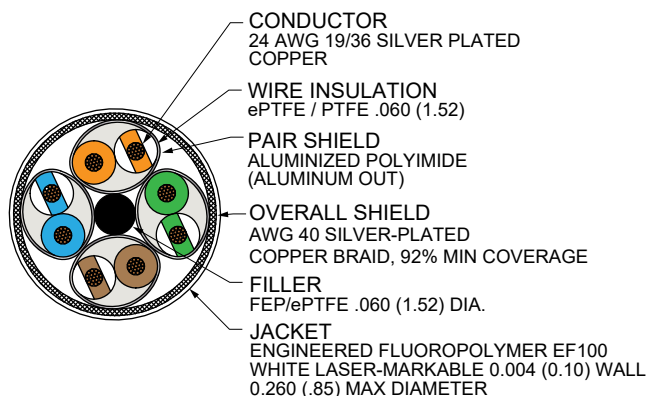
Impedance (ohms)	100	
Temperature Rating	-55° to +200°C	
Weight (lbs/100 ft.)	5.3	
Capacitance (pF/ft)	14.5	
Minimum Bend Radius (inches)	1.40	
Velocity of Propagation %	70.0	
Dielectric Voltage Rating (kV rms)	1.5	
Max Distance in Feet (m)	246 (75)	
Attenuation Nom / Max	Frequency	dB/100 ft.
	10 MHz	2.2/2.6
	100 MHz	6.8/8.2
	250 MHz	10.9/13.1
	500 MHz	15.6/18.7

24 AWG S/FTP Cat 6A Cable

Glenair Part Number 963-033-24

S/FTP 24 AWG cable has an individual foil shield around each data pair for reduced crosstalk and attenuation. This high data rate Ethernet cable features a unique cable jacket material and high-density construction that significantly reduces cable weight and diameter. Meets TIA 568-C.2 Cat 6A requirement up to 262 feet/80 meters. **Qualified to SAE AS6070/5 and /6.**

Construction Details



Color Code

Pair #1 Blue, White/Blue · Pair #2 Orange, White/Orange · Pair #3 Green, White/Green · Pair #4 Brown, White/Brown

Specifications

Impedance (ohms)	100 (+10/-5)	
Temperature Rating	-65° to +200°C	
Weight (lbs/1000 ft.)	42.0 nom /45.0 max	
Capacitance (pF/ft)	12.5	
Time Delay	1.24 ns/ft	
Bend Radius (min)	.54 (13.72)	
Maximum Attenuation at 80m Length	Frequency	dB
	10 MHz	5.9
	100 MHz	19.1
	200 MHz	27.6
	250 MHz	31.1
NEXT (minimum)	Frequency	dB
	1 MHz	74.3
	10 MHz	59.2
	100 MHz	52.3
	250 MHz	47.9
	500 MHz	42.2

24 AWG Cat 6A Ethernet Cables for El Ochito[®] White

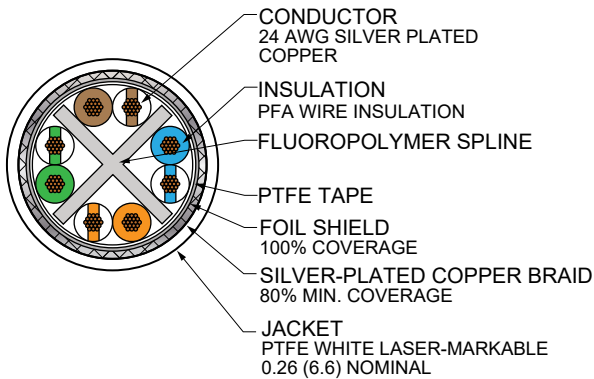
BULK CABLE

24 AWG S/UTP Cat 6A Cable

Glenair Part Number **963-037-24**

S/UTP 24 AWG cable is specially designed for airborne 10 Gigabit Ethernet applications. Twisted pairs are separated by a fluoropolymer spline for reduced crosstalk and attenuation. This 200°C rated cable is Skydrol resistant, RoHS compliant and meets FAA FAR Parts 23 and 25 Appendix F flammability requirements. Laser-markable white PTFE jacket withstands abrasion and chemicals. Meets ANSI/TIA-568-C.2 Cat 6A performance up to 246 feet/75 meters.

Construction Details



Color Code

Pair #1 Blue, White/Blue · Pair #2 Orange, White/Orange · Pair #3 Green, White/Green · Pair #4 Brown, White/Brown

Specifications

Impedance (ohms)	100	
Temperature Rating	-55° to +200°C	
Weight (lbs/100 ft.)	4.6	
Capacitance (pF/ft)	14.5	
Minimum Bend Radius (inches)	.78	
Velocity of Propagation %	70	
Dielectric Voltage Rating (kV rms)	1.5	
DC Resistance, Max (ohms/1000 ft.)	28.5	
Max Distance in Feet (m)	262 (80)	
Attenuation Nom / Max	Frequency	dB/100 ft.
	10 MHz	2.1/2.4
	100 MHz	6.6/7.9
	250 MHz	10.7/12.9
	500 MHz	15.6/18.7

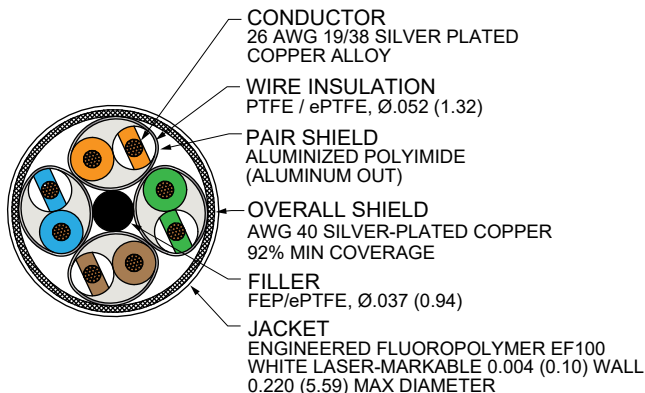
26 AWG Cat 8 Ethernet Cables for El Ochito® White

26 AWG S/FTP Cat 8 Cable

Glenair Part Number **963-132-26**

S/FTP 26 AWG (19/38) cable with foil wrapped data pairs for reduced crosstalk and attenuation. Cable features a unique cable jacket material and high-density construction to reduce weight and diameter. Meets TIA-568-2.D Cat 8 requirements up to 59 ft (18 m). REACH and RoHS compliant.

Construction Details



Color Code

Pair #1 Blue, White/Blue · Pair #2 Orange, White/Orange · Pair #3 Green, White/Green · Pair #4 Brown, White/Brown

Specifications

Impedance (ohms)	100 (+10 /-5)
Temperature Rating	-65° to +200°C
Weight (lbs/1000 ft.) (max.)	35.0
Capacitance (pF/ft)	12.5
Time Delay (nSEC/ft)	1.35

Maximum Attenuation per 59 ft (18 m) Length	Frequency	dB
	50 MHz	3.9
100 MHz	5.6	
250 MHz	8.9	
500 MHz	12.8	
1000 MHz	18.6	
1500 MHz	23.2	
2000 MHz	27.2	

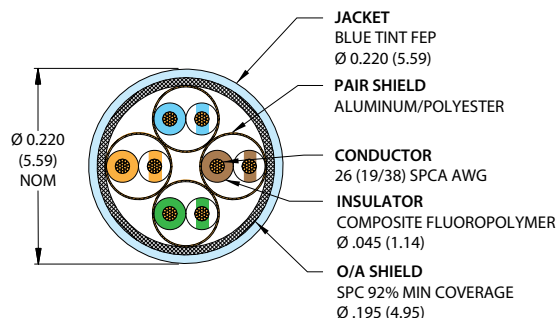
NEXT (minimum)	Frequency	dB
	50 MHz	49.8
100 MHz	45.3	
250 MHz	39.3	
500 MHz	34.8	
1000 MHz	30.3	
1500 MHz	27.7	
2000 MHz	25.8	

26 AWG S/FTP Cat 8 Cable

Glenair Part Number **963-135-26**

S/FTP 26 AWG (19/38) cable has an individual foil shield around each data pair for reduced crosstalk and attenuation. This high data rate Cat 8 Ethernet cable features a FEP jacket. Meets TIA-568-C.2 Cat 8 channel requirements up to 65 ft (20 m). Complies with RoHS (Directive 2002/95/EC).

Construction Details



Color Code

Pair #1 Blue, White/Blue · Pair #2 Orange, White/Orange · Pair #3 Green, White/Green · Pair #4 Brown, White/Brown

Specifications

Temperature Rating	-55° to -200°C
Weight (lbs/1000 ft.) (max.)	34.6
Minimum Bend Radius	1.10 (27.94)
RoHS compliance	Complies with RoHS (Directive 202/95/ED)

Impedance (ohms)	100 (±15)
Capacitance (pF/ft)	13.0
Velocity of propagation	80.0% Nom.
Dielectric voltage rating	1.5kV RMS
Capacitance	13

Transmission Characteristics	Frequency	dB Typ/Max
	10 MHz	3.0/3.5
100 MHz	8.2/9.3	
250 MHz	13.7/15.0	
500 MHz	20.5/21.26	
1000 MHz	28.1/30.0	
2000 MHz	41.0/43.0	

Typ. = average pair loss
Max. = worst pair loss

24 AWG Cat 8 Ethernet Cables for El Ochito[®] White

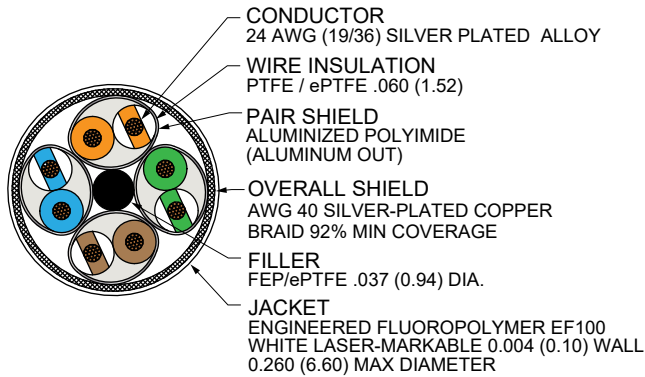
BULK CABLE

24 AWG S/FTP Cat 8 Cable

Glenair Part Number **963-132-24**

S/FTP 24 AWG (19/36) cable with foil wrapped data pairs for reduced crosstalk and attenuation. Cable features a unique cable jacket material and high-density construction to reduce weight and diameter. Meets TIA-568-2.D Cat 8 requirements up to 72.2 ft (22 m). REACH and RoHS compliant.

Construction Details



Color Code

Pair #1 Blue, White/Blue · Pair #2 Orange, White/Orange · Pair #3 Green, White/Green · Pair #4 Brown, White/Brown

Specifications

Impedance (ohms)	100 (+10 /-5)
Temperature Rating	-65° to +200°C
Weight (lbs/1000 ft.) (max.)	45.0
Capacitance (pF/ft)	12.5
Time Delay (nSEC/ft)	1.27

Maximum Attenuation per 72.2 ft (22 m) Length	Frequency	dB
	50 MHz	3.9
100 MHz	5.6	
250 MHz	8.9	
500 MHz	12.8	
1000 MHz	18.6	
1500 MHz	23.2	
2000 MHz	27.2	

NEXT (minimum)	Frequency	dB
	50 MHz	49.8
100 MHz	45.3	
250 MHz	39.3	
500 MHz	34.8	
1000 MHz	30.3	
1500 MHz	27.7	
2000 MHz	25.8	

SuperSpeed USB 3.0 Cables for El Ochito® Blue

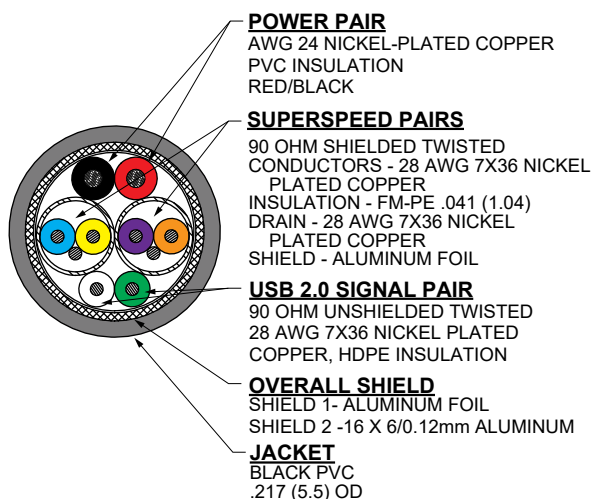
BULK CABLE

SuperSpeed USB Cable

Glenair Part Number **963-118**

90 ohm commercial-grade cable features PVC jacket. SuperSpeed data pairs feature low dielectric constant foamed PE insulation. Each SuperSpeed pair has an aluminized polyester shield. Overall shield is aluminum foil and aluminum wire braid.

Construction Details



Color Code

SuperSpeed pairs VIO/ORN and BLU/YEL · Power wires RED, BLK · Low speed pair WHT/GRN.

Specifications

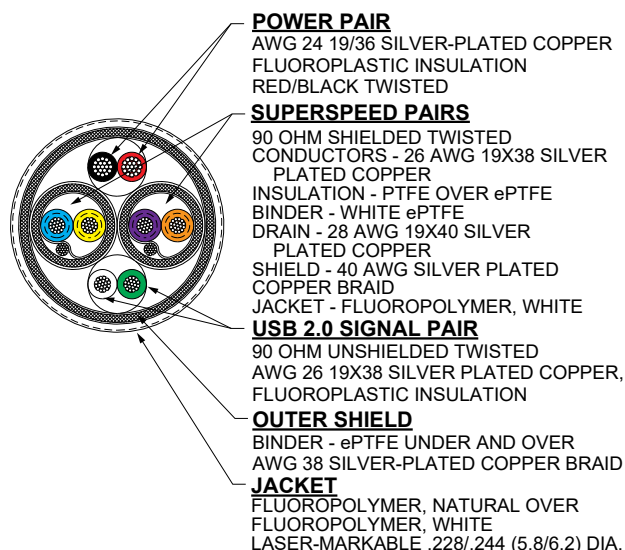
Impedance (ohms)		
High speed pairs	90 ± 7 (USB 3.0 pairs)	
Low-speed pair	90 ±15% (USB 2.0 pairs)	
Temperature Rating	0° to +80°C	
Voltage Rating	30V	
Intra-pair skew	15 ps/1.5m	
Differential to common mode	20 dB/cable @ 0.1 - 7.5 GHz	
	Frequency (GHz)	IL (dB@1.5m) NEXT (dB)
	0.1	1.5 32
	1.25	5.0
	2.5	7.5 32
	3.0	
	7.5	25.0 23

SuperSpeed USB Cable

Glenair Part Number **963-110**

High performance, high temperature cable delivers dependable signal integrity over longer cable lengths. Fluoropolymer jacket can be laser-marked. Low-skew SuperSpeed data pairs have individual braid shields.

Construction Details



Color Code

SuperSpeed pairs VIO/ORN and BLU/YEL · Power wires RED, BLK · Low speed pair WHT/GRN.

Specifications

Impedance (ohms)	90 ± 5	
Temperature Rating	-65° to +200°C	
Voltage Rating	< 50 Vac	
Dielectric Withstanding Voltage	100 Vac rms	
Weight	57 g/m nominal	
Bend Radius (min.)	Static	Dynamics
	0.591 (15)	2.362 (60)
Attenuation (SDD21)	Freq. (GHz)	dB/m max.
	.625	1.2
	1.25	1.7
	2.5	2.5
	5.0	3.9
	7.5	5.0

26 AWG HDMI and DisplayPort Cables for El Ochito[®] Red

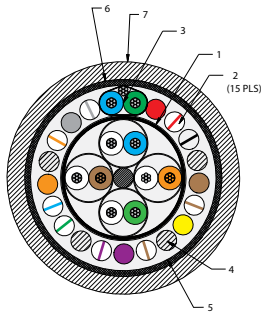
BULK CABLE

Aerospace Grade 26 AWG S/FTP, High-Speed Cable

	963-120-1 Duraelectric Lite
Glenair Part Number	963-120-2 Polyurethane LSZH
	963-120-3 FEP Jacket

For use with El Ochito red contacts. S/FTP 26 AWG cable has foil shield around each data pair for reduced crosstalk and attenuation. High data rate cable jacket is available in 3 material types including Duraelectric Lite, polyurethane and FEP. The high-density construction significantly reduces weight and diameter. Meets HDMI 2.0 and DisplayPort 1.2 up to 5 meters

Construction Details



1. HIGH SPEED CORE
 - A. DATA PAIR (4X): 100 ± 10 OHM (SHIELDED TWISTED PAIR)
CONDUCTORS: 2X 26 AWG (7/34) SILVER PLATED COPPER ALLOY
INSULATION: PFA
PAIR SHIELD: ALUMINUM/POLYIMIDE TAPE FOIL SIDE OUT
 - B. OUTER SHIELD: 40 AWG SILVER PLATED COPPER BRAID, 90% MIN. COVERAGE
 - C. OUTER JACKET: PTFE TAPE .237 ± .007 O.D
 - D. FILLER: PTFE (.038") OD
2. 15X # 26 AWG M22759/11-26-X
3. DATA PAIR: 100 ± 10 OHM SHIELED TWISTED PAIR WITH PFA JACKET OVER THE PAIR SHIELD
CONDUCTORS: 2X 26 AWG (7/34) SPCA
COLORS: GREEN, BLUE
INSULATION: PFA
DRAIN WIRE: 26 AWG (7/34) SPC
PAIR SHIELD: ALUMINUM/POLYIMIDE TAPE, FOIL SIDE IN
4. FIBERGLASS FILLER: PER MIL-Y-1140
5. OUTER SHIELD: 36 AWG, T/C, 90% MIN. COVERAGE
6. JACKET MATERIAL: PER PART NUMBER DEVELOPMENT

Specifications

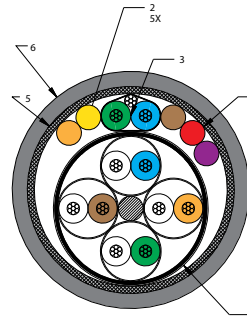
	963-120-1 Duraelectric Light	
Jacket Material	963-120-2 Polyurethane LSZH	
	963-120-3 FEP	
	Impedance (ohms)	100 ± 10
Temperature Rating	963-120-1 & -3: -65° to +200° C	
	963-120-2: -40° to +90° C	
Outer Diameter	Part Number	Approx. Dia.
	963-120-1	.404 (10.26)
	963-120-2	.372 (9.45)
	963-120-3	.350 (8.89)
Jacket Color	Black	

26 AWG S/FTP, HDMI and DisplayPort Cable

	963-127-1 Duraelectric Lite
Glenair Part Number	963-127-2 Polyurethane LSZH
	963-127-3 FEP Jacket

For use with El Ochito red contacts. S/FTP 26 AWG cable has a foil shield around each data pair for reduced crosstalk and attenuation. High data rate cable jacket is available in 3 material types including Duraelectric Lite, polyurethane LSZH and FEP. The high-density construction significantly reduces weight and diameter. Meets HDMI 2.0 and DisplayPort 1.2 up to 5 meters

Construction Details



1. HIGH SPEED CORE
 - A. DATA PAIR (4X): 100 ± 10 OHM (SHIELDED TWISTED PAIR)
CONDUCTORS: 2X 26 AWG (7/34) SILVER PLATED COPPER ALLOY
INSULATION: PFA, Ø.045
PAIR SHIELD: ALUMINUM/POLYIMIDE TAPE FOIL SIDE OUT
 - B. OUTER SHIELD: 40 AWG SILVER PLATED COPPER BRAID, 90% MIN. COVERAGE
 - C. OUTER JACKET: PTFE TAPE .237 ± .007 O.D
 - D. FILLER: PTFE (.038") OD
2. 5X # 26 AWG (7/34) SILVER PLATED COPPER
3. DATA PAIR: 100 ± 10 OHM SHIEDED TWISTED PAIR WITH PFA JACKET OVER THE PAIR SHIELD
CONDUCTORS: 2X 26 AWG (7/24) SPCA
INSULATION: PFA
DRAIN WIRE: 26 AWG (7/34) SPC
PAIR SHIELD: .0015 ALUMINUM/POLYIMIDE TAPE, FOIL SIDE IN
4. OUTER SHIELD: 36 AWG, T/C, 90% MIN. COV.
JACKET MATERIAL: PER PART NO. DEVELOPMENT
COLOR: BLACK

Specifications

	963-127-1 Duraelectric	
Jacket Material	963-127-2 Polyurethane LSZH	
	963-127-3 FEP	
	Impedance (ohms)	100 ± 10
Temperature Rating	963-127-1 and -3: -65° to +200° C	
	963-217-2: -40° to +90° C	
Outer Diameter	Part Number	Approx. Dia.
	963-127-1	.415 (10.54)
	963-127-2	.359 (9.12)
	963-127-3	.337 (8.56)
Jacket Color	Black	

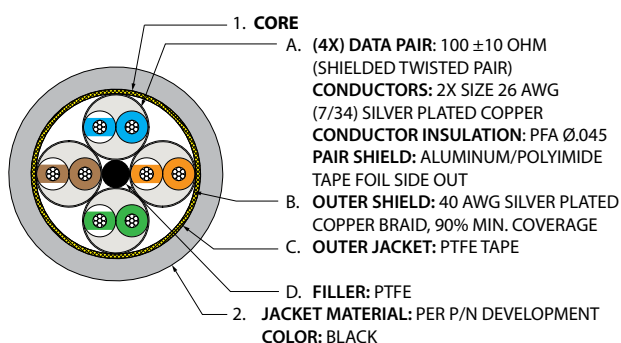
26 AWG High-Speed 4 Pair Cable for El Ochito® Red

Aerospace Grade 26 AWG S/FTP, High-Speed Cable

Glenair Part Number	963-122-1 Duraelectric Lite
	963-122-2 Polyurethane LSZH
	963-122-3 FEP Jacket

S/FTP aerospace grade 26 AWG cable has an individual foil shield around each data pair for reduced crosstalk and attenuation. This high-speed cable features three cable jacket material options. High-density construction significantly reduces weight and diameter.

Construction Details



Color Code

Pair #1 Blue, White/Blue · Pair #2 Orange, White/Orange ·
 Pair #3 Green, White/Green · Pair #4 Brown, White/Brown

Specifications

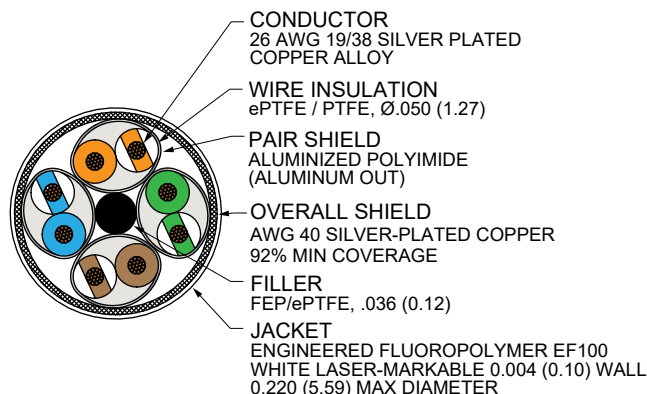
Jacket Material	963-122-1 Duraelectric	
	963-122-2 Polyurethane LSZH	
	963-122-3 FEP	
Impedance (ohms)	100 (+10 -5)	
Temperature Rating	963-122-1 & -3: -65° to +200° C	
	963-122-2: -40° to +90° C	
Weight (lbs/1000 ft.)	32.0	
Outside Diameter	963-122-1 and -3: .299 (7.59)	
	963-122-2: .277 (7.04)	
Capacitance (pF/ft)	12.5	
Time Delay	1.24 ns/ft	
Maximum Attenuation at 5m Length	Frequency	dB
	.625 GHz	4.5
	.825 GHz	5.0
	1.25 GHz	6.5
	2.5 GHz	9.5
	5.0 GHz	15.5
	7.5 GHz	21.0
8.1 GHz	22.5	

26 AWG S/FTP Cat 6A Cable

Glenair Part Number	963-033-26
---------------------	------------

S/FTP 26 AWG cable has an individual foil shield around each data pair for reduced crosstalk and attenuation. This high data rate Ethernet cable features a unique cable jacket material and high-density construction that significantly reduces weight and diameter. Meets ANSI/TIA 568-C.2 Cat 6A requirement up to 213 feet/65 meters. *Qualified to SAE AS6070/5 and /6.*

Construction Details



Color Code

Pair #1 Blue, White/Blue · Pair #2 Orange, White/Orange ·
 Pair #3 Green, White/Green · Pair #4 Brown, White/Brown

Specifications

Impedance (ohms)	100 (+10 -5)	
Temperature Rating	-65° to +200°C	
Weight (lbs/1000 ft.)	32.0	
Bend Radius	.44 (11.18)	
Capacitance (pF/ft)	12.5	
Time Delay	1.24 ns/ft	
Maximum Attenuation at 65m Length	Frequency	dB
	10 MHz	5.9
	100 MHz	19.1
	250 MHz	31.1
	500 MHz	45.3
NEXT (minimum)	Frequency	dB
	1 MHz	74.3
	10 MHz	59.2
	100 MHz	52.3
	250 MHz	47.9
500 MHz	42.2	

El Ochito® Heat Shrink Boots and Sealing Boots

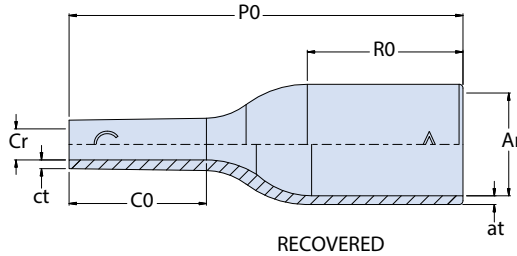
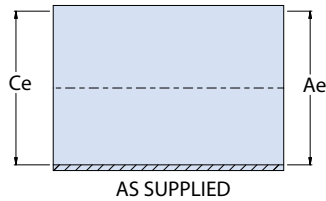
Heat Shrink Boot (Type II Only)



770-074 non-lipped, zero halogen heat shrink boot without eyelet. Shrink boot is adhesive lined for use with Type 2 El Ochito contacts. Provides environmental sealing and strain relief support. Pre-coated with W1 zero halogen/hot melt adhesive rated for use up to 125°C. To be used in place of a grommet follower for Type II assemblies.

How-to-Order

770	-	074	S	1	01	W1
Series		Basic Part No.	Angular Function	Material	Boot Size	Adhesive
		Non-Lipped Boot Without Eyelet	S Straight	1 Compound 2025: High Performance Elastomer		W1 125° C Zero Halogen/ Hot Melt

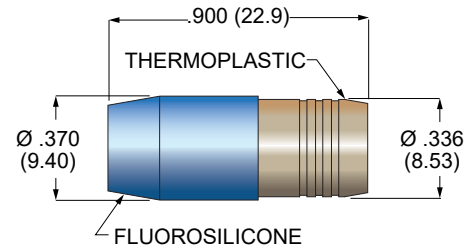


770-074 Shrink Boot Dimensions

Boot Size	Ae Dia Min	Ce Dia Min	Ar Dia Max	at ±30%	Cr Dia Max	ct ±20%	C0 Ref	P0 ±10%	R0 Ref
-01	.354 (8.99)	.354 (8.99)	.265 (6.73)	.023 (0.58)	.080 (2.03)	.023 (0.58)	.354 (8.99)	1.015 (25.78)	.401 (10.19)

Grommet Follower (Type I)

An "F" suffix in the contact part number indicates the contact is supplied with a grommet follower. To order these contacts without grommet follower, delete the "F" suffix from the part number. Grommet followers are not compatible with Type II Ochito contacts.



GROMMET FOLLOWER FOR OCHITO CONTACTS

- [687-754-8-4](#)
FOR .177 (4.5) DIAMETER CABLES
- [687-754-8-8](#)
FOR .220 (5.56) DIAMETER CABLES
- [687-754-8-9](#)
FOR .236 (6.0) DIAMETER CABLES

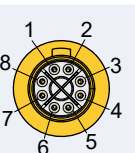
HEAT SHRINK BOOTS AND SEALING BOOTS

El Ochito® White Single-Ended Cat 6A Cable Assembly 8571-0001



El Ochito® White for 10GBASE-T Ethernet, pin contact mating face

Contact Positions



Mating face of Pin



Mating face of Socket

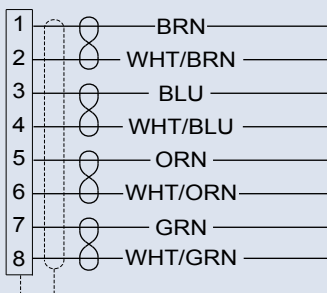
Technical Data

- Refer to individual contact and cable data sheets for construction details
- 100% tested for shorts, continuity and IR

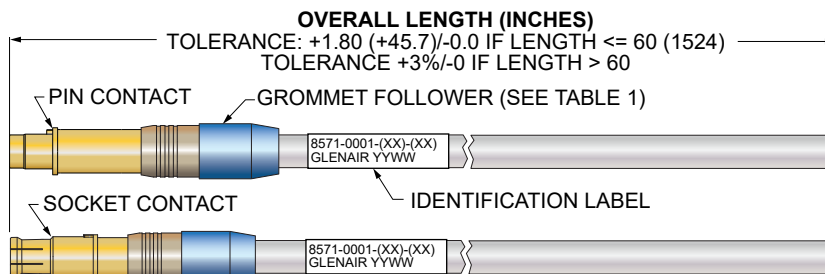
- Operating temp.:** -65° to +175°C
- Impedance:** 100 ohms
- DWV:** 500 Vrms
- Current Rating:** 1.5 A
- IR:** 200 megohms min.
- Durability:** 500 mating cycles

Wiring Diagram

OCHITO CONTACT



Save assembly time and cost with pre-wired, 100% tested El Ochito® White assemblies. Single-ended cables have El Ochito® White contacts terminated to Cat 6A aerospace-grade shielded cable. Supplied with cable grommet follower if applicable. Compatible with Glenair Series 23, Series 28, Series 792, Series 816, Series 806, ARINC 600 and EPXB connectors. Designed to meet the requirements of MIL-DTL-38999, SAE AS39029. *El Ochito® contacts must be installed in keyed connectors before mating to prevent misalignment and contact damage.*



El Ochito® White Single-Ended Cable Assemblies

Sample Part Number→	8571-0001	-10	-60
Product	8571-0001 = Pre-wired El Ochito® contact, single-ended, Cat 6A		
Order Code	See Table 1		
Length	Length in Inches (12 inch minimum)		

Table 1 Order Code

Connector Type	Order Code	Contact P/N	Pin/Skt	Grommet Follower	Type I/ Type II	Cable Part Number
Series 23, Series 28	01	858-003-01F	Pin	Yes	I	963-003-26
	02	858-004-01F	Skt	Yes	I	963-003-26
	03	858-005-01	Pin	No	II	963-003-26
	04	858-005-02	Pin	No	II	963-033-26
	05	858-005-04	Pin	No	II	963-033-24
	06	858-006-01	Skt	No	II	963-003-26
	07	858-006-02	Skt	No	II	963-033-26
	08	858-006-04	Skt	No	II	963-033-24
	09	858-003-02F	Pin	Yes	I	963-033-26
	10	858-004-02F	Skt	Yes	I	963-033-26
ARINC 600	11	858-009-01	Pin	No	I	963-003-26
	12	858-009-02	Pin	No	I	963-033-26
	13	858-010-01	Skt	No	I	963-003-26
EPXB	14	858-010-02	Skt	No	I	963-033-26
	15	858-014-01F	Pin	Yes	I	963-033-26
Series 792, 816, and 806	16	858-015-01F	Skt	Yes	I	963-033-26
	17	858-046-01F	Skt	Yes	I	963-003-26
Series 792	18	858-046-02F	Skt	Yes	I	963-033-26
	19	858-045-01F	Pin	Yes	I	963-003-26
	20	858-045-02F	Pin	Yes	I	963-033-26
	23	858-043-01	Pin	No	II	963-003-26
	24	858-043-02	Pin	No	II	963-033-26
	25	858-043-04	Pin	No	II	963-033-24
	26	858-042-01	Skt	No	II	963-003-26
	27	858-042-02	Skt	No	II	963-033-26
	28	858-042-04	Skt	No	II	963-033-24

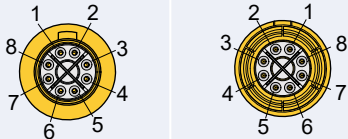
El Ochito® White Pin-to-Socket Cat 6A Cable Assembly 8571-0002

ELOCHITO® JUMPERS



El Ochito® White for 10GBASE-T Ethernet, pin contact mating face

Contact Positions



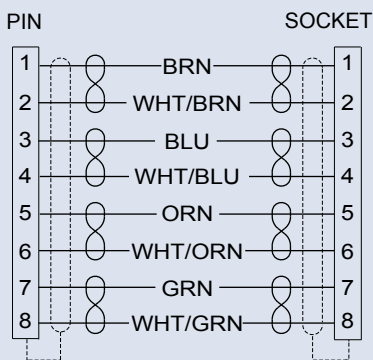
Mating face of Pin

Mating face of Socket

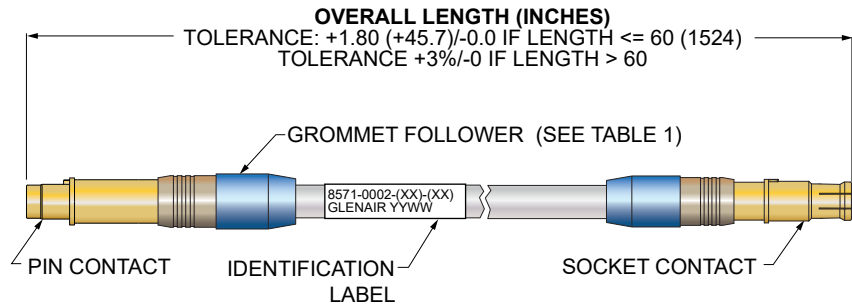
Technical Data

- Refer to individual contact and cable data sheets for construction details
- 100% tested for shorts, continuity and IR
- Operating temp.:** -65° to +175°C
- Impedance:** 100 ohms
- DWV:** 500 Vrms
- Current Rating:** 1.5 A
- IR:** 200 megohms min.
- Durability:** 500 mating cycles

Wiring Diagram



Lower installed cost. 100% tested. Save assembly time and cost with pre-wired El Ochito® White assemblies. These pin-to-socket cables have El Ochito® White contacts terminated to Cat 6A aerospace-grade shielded cable. Supplied with cable grommet follower if applicable. These pre-wired El Ochito® contacts snap into connector body without requiring an insertion tool. Remove contacts with plastic tool 859-049. Compatible with Glenair Series 23, Series 28, Series 792, Series 816, Series 806, ARINC 600 and EPXB connectors. Designed to meet the requirements of MIL-DTL-38999, SAE AS39029. *El Ochito® contacts must be installed in keyed connectors before mating to prevent misalignment and contact damage.*



Cat 6A Pre-Wired El Ochito® Pin-Socket Assemblies

Sample Part Number →	8571-0002	-01	-36
Product	8571-0002 = Pre-wired El Ochito® contacts, Pin-to-Socket		
Order Code	See Table 1		
Length	Length in Inches (12 inch minimum)		

Table 1 Order Code

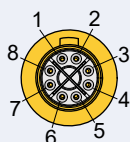
Connector Type	Order Code	Pin Contact Part No.	Skt Contact Part No.	Grommet Follower	Type I/ Type II	Cable Part Number
Series 23 Series 28	01	858-003-01F	858-004-01F	Yes	I	963-003-26
	02	858-005-01	858-006-01	No	II	963-003-26
	03	858-005-02	858-006-02	No	II	963-033-26
	04	858-005-04	858-006-04	No	II	963-033-24
	05	858-003-02F	858-004-02F	Yes	I	963-033-26
Series 792 Series 806 Series 816	06	858-045-01F	858-046-01F	Yes	I	963-003-26
	07	858-045-02F	858-046-02F	Yes	I	963-033-26
ARINC 600	08	858-009-01	858-010-01	No	I	963-003-26
	09	858-009-02	858-010-02	No	I	963-033-26
EPXB	10	858-014-01F	858-015-01F	Yes	I	963-033-26
	13	858-043-01	858-042-01	no	II	963-003-26
Series 792	14	858-043-02	858-042-02	no	II	963-033-26
	15	858-043-04	858-042-04	no	II	963-033-24

El Ochito® White-to-RJ45 Cable Assemblies 8571-0003 Commercial Grade

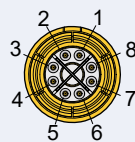


El Ochito® White for 10GBASE-T Ethernet, pin contact mating face

Contact Positions



Mating face of Pin



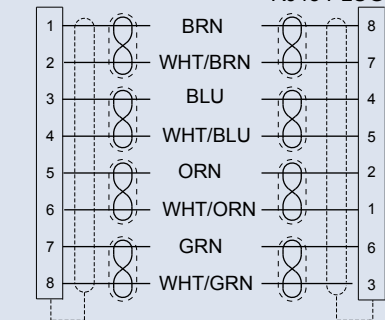
Mating face of Socket

Technical Data

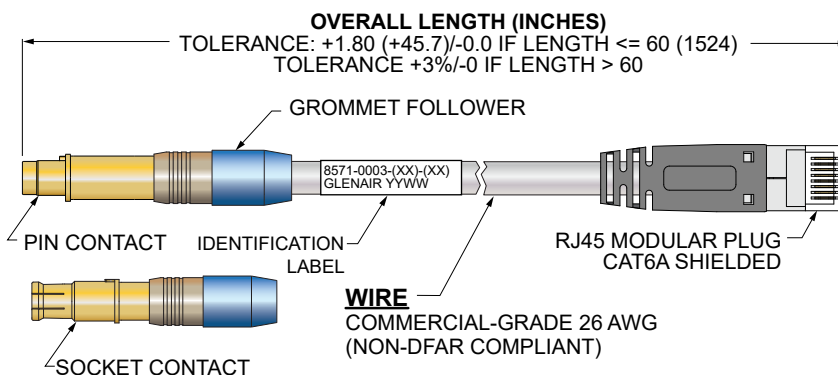
- Refer to individual contact data sheets for construction details
- 100% tested for shorts, continuity and IR
- Operating temp:** -10°C to +60°C
- Wire Size:** 26 AWG
- Impedance:** 100 ohms
- DWV:** 500 Vrms
- Current Rating:** 1.5 A
- IR:** 200 megohms min.
- Durability:** 500 mating cycles

Wiring Diagram

WIRE COLOR ASSIGNMENTS



El Ochito® White-to-RJ45. Commercial grade (8571-0003) Cat6A. Save assembly time and cost with pre-wired El Ochito® White assemblies. High quality commercial grade assemblies have foil shields on each wire pair. Compatible with Glenair Series 23 SuperNine, Series 28 HiPer-D, Series 792, Series 816, Series 806, and ARINC 600. El Ochito® contacts must be installed in keyed connectors before mating to prevent misalignment and contact damage.



El Ochito® -to-RJ45 Cable Assemblies, Commercial-grade Wire

Sample Part Number→	8571-0003	-01	-24
Product	8571-0003 = Cable Assy, El Ochito® to RJ45 Plug, Commercial Grade		
El Ochito® Contact Part Number	See Table 1		
Length	Length in Inches (12 inch minimum, 240 inches max)		

Table 1 Order Code

Connector Type	Order Code	Contact Part No.	Type I Pin/Skt	Cable Type	Cable Part Number
Series 23 Series 28	01	858-003-01F	Pin	Commercial-grade, LSZH Jacket, -10° to +60°C	ZM6A-SXX-01
	02	858-004-01F	Socket		ZM6A-SXX-01
Series 792 Series 806 Series 816	03	858-045-01F	Pin	Commercial-grade, LSZH Jacket, -10° to +60°C	ZM6A-SXX-01
	04	858-046-01F	Socket		ZM6A-SXX-01
ARINC 600	05	858-009-01B	Pin	Commercial-grade, LSZH Jacket, -10° to +60°C	ZM6A-SXX-01
	06	858-010-01B	Socket		ZM6A-SXX-01

El Ochito[®] White-to-RJ45 Cable Assemblies 8571-0004 Aerospace Grade

EL OCHITO[®] JUMPERS



El Ochito[®] White for 10GBASE-T Ethernet, pin contact mating face

Contact Positions



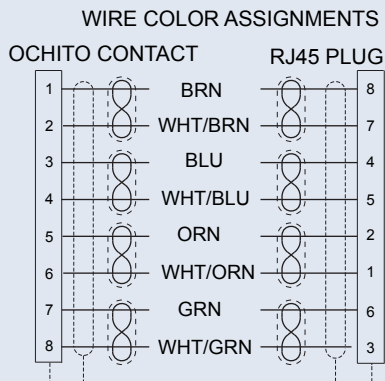
Mating face of Pin

Mating face of Socket

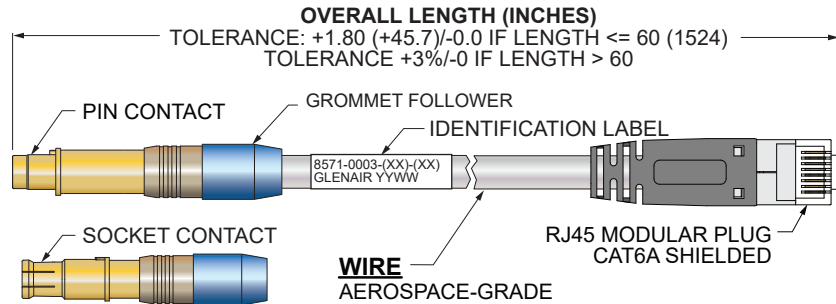
Technical Data

- Refer to individual contact data sheets for construction details
- 100% tested for shorts, continuity and IR
- Operating temp:** -40° to +85°C
- Wire Size:** 26 AWG
- Impedance:** 100 ohms
- DWV:** 500 Vrms
- Current Rating:** 1.5 A
- IR:** 200 megohms min.
- Durability:** 500 mating cycles

Wiring Diagram



El Ochito[®] White-to-RJ45. Flight-grade (8571-0004) Cat6A. Save assembly time and cost with pre-wired El Ochito[®] White assemblies. High performance engineered fluoropolymer aerospace grade assemblies have foil shields on each wire pair. Compatible with Glenair Series 23 SuperNine, Series 28 HiPer-D, Series 792, Series 816, Series 806, and ARINC 600. El Ochito[®] contacts must be installed in keyed connectors before mating to prevent misalignment and contact damage.



El Ochito[®] -to-RJ45 Cable Assemblies, Flight-grade Wire

Sample Part Number	8571-0004	-01	-24
Product	8571-0004 = Cable Assy, El Ochito [®] to RJ45 Plug, Aerospace Grade		
Contact P/N	See Table 1		
Length	Length in Inches (12 inch minimum)		

Table 1 Order Code

Connector Type	Order Code	Contact Part No.	Pin/Skt	Type I/Type II	Cable Type	Cable Part Number
Series 23 Series 28	01	858-003-02F	Pin	I	Aerospace-grade, -65° to +200°C	963-033-26
	02	858-004-02F	Skt	I		963-033-26
Series 792 Series 806 Series 816	03	858-045-02F	Pin	I	Aerospace-grade, -65° to +200°C	963-033-26
	04	858-046-02F	Skt	I		963-033-26
ARINC 600	05	858-009-02B	Pin	I	Aerospace-grade, -65° to +200°C	963-033-26
	06	858-010-02B	Skt	I		963-033-26
EN3645 & EN4165	07	858-026-02F	Pin	I	Aerospace-grade, -65° to +200°C	963-033-26
	08	858-027-02F	Skt	I		963-033-26
Series 792	11	858-043-02	Pin	II	Aerospace-grade, -65° to +200°C	963-033-26
	12	858-042-02	Skt	II		963-033-26
	13	858-043-04	Pin	II		963-033-24
	14	858-042-04	Skt	II		963-033-24
Series 23 Series 28	15	858-005-02	Pin	II	Aerospace-grade, -65° to +200°C	963-033-26
	16	858-006-02	Skt	II		963-033-26
	17	858-005-04	Pin	II		963-033-24
	18	858-006-04	Skt	II		963-033-24
Series 806 Series 816	19	858-051-02	Pin	II	Aerospace-grade, -65° to +200°C	963-033-26
	20	858-052-02	Skt	II		963-033-26
	21	858-051-04	Pin	II		963-033-24
EPXB	22	858-052-04	Skt	II	Aerospace-grade, -65° to +200°C	963-033-24
	23	858-014-01F	Pin	I		963-033-26
	24	858-015-01F	Skt	I		963-033-26

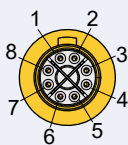
El Ochito® White Single Ended Cat 8 Cable Assemblies 8571-0039

Save assembly time and cost with pre-wired, 100% tested El Ochito® White assemblies. These single-ended cables have El Ochito® White contacts terminated to Cat 8 aerospace-grade shielded cable. Supplied with cable grommet follower if applicable. Compatible with Glenair Series 23, Series 28, Series 792, Series 816, Series 806, ARINC 600 and EPXB connectors. Designed to meet the requirements of MIL-DTL-38999, SAE AS39029. **El Ochito® contacts must be installed in keyed connectors before mating to prevent misalignment and contact damage.**

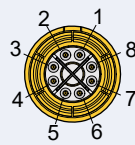


El Ochito® White for 40GBASE-T Ethernet, pin contact mating face

Contact Positions



Mating face of Pin



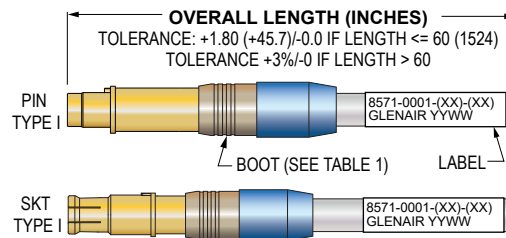
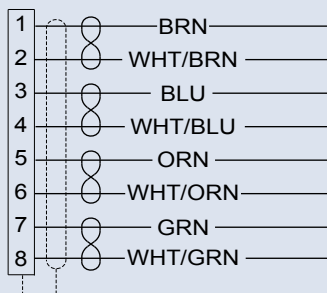
Mating face of Socket

Technical Data

- Refer to individual contact and cable data sheets for construction details
- 100% tested for shorts, continuity and IR
- Operating temp.:** -65° to +175°C
- Impedance:** 100 ohms
- DWV:** 500 Vrms
- Current Rating:** 1.5 A
- IR:** 200 megohms min.
- Durability:** 500 mating cycles

Wiring Diagram

OCHITO CONTACT



El Ochito® White Single-Ended Cable Assemblies			
Sample Part Number→	8571-0039	-10	-60
Product	8571-0039 = Pre-wired El Ochito® contact, single-ended, Cat 8		
Order Code	See Table 1		
Length	Length in Inches (12 inch minimum)		

Table 1 Order Code

Connector Type	Order Code	Contact Part	Type I Pin/Skt	Type II Pin/Skt	Boot Type	Cable
Series 23 Series 28	01	858-003-04F	Pin		Sealing	963-132-26
	02	858-003-05F	Pin		Sealing	963-135-26
	03	858-004-04F	Skt		Sealing	963-132-26
	04	858-004-05F	Skt		Sealing	963-135-26
	05	858-005-06		Pin	None	963-132-26
	06	858-005-07		Pin	None	963-132-24
	07	858-005-08		Pin	None	963-135-26
	08	858-006-06		Skt	None	963-132-26
	09	858-006-07		Skt	None	963-132-24
	10	858-006-08		Skt	None	963-135-26
Arinc 600	11	858-009-04B	Pin		Alignment	963-132-26
	12	858-009-05B	Pin		Alignment	963-135-26
	13	858-010-04B	Skt		Alignment	963-132-26
	14	858-010-05B	Skt		Alignment	963-135-26
EPXB	15	858-014-04F	Pin		Sealing	963-132-26
	16	858-014-05F	Pin		Sealing	963-135-26
	17	858-015-04F	Skt		Sealing	963-132-26
	18	858-015-05F	Skt		Sealing	963-135-26
Series 792	19	858-042-06		Skt	None	963-132-26
	20	858-042-07		Skt	None	963-132-24
	23	858-042-08		Skt	None	963-135-26
	24	858-043-06		Pin	None	963-132-26
	25	858-043-07		Pin	None	963-132-24
	26	858-043-08		Pin	None	963-135-26
	27	858-045-04F	Pin		Sealing	963-132-26
	28	858-045-05F	Pin		Sealing	963-135-26
Series 792 Series 806 Series 816	29	858-046-04F	Skt		Sealing	963-132-26
	30	858-046-05F	Skt		Sealing	963-135-26
Series 806 Series 816	31	858-051-06		Pin	None	963-132-26
	32	858-051-07		Pin	None	963-132-24
	33	858-051-08		Pin	None	963-135-26
	34	858-052-06	Skt		None	963-132-26
	35	858-052-07	Skt		None	963-132-24
	36	858-052-08	Skt		None	963-135-26

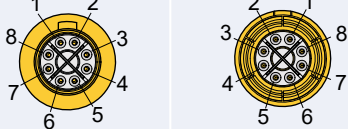
El Ochito[®] White Type I, Pin-to-Socket Cat 8 Cable Assembly 8571-0040

EL OCHITO[®] JUMPERS



El Ochito[®] White for 40GBASE-T Ethernet, pin contact mating face

Contact Positions



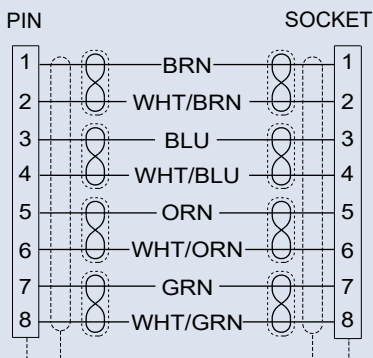
Mating face of Pin

Mating face of Socket

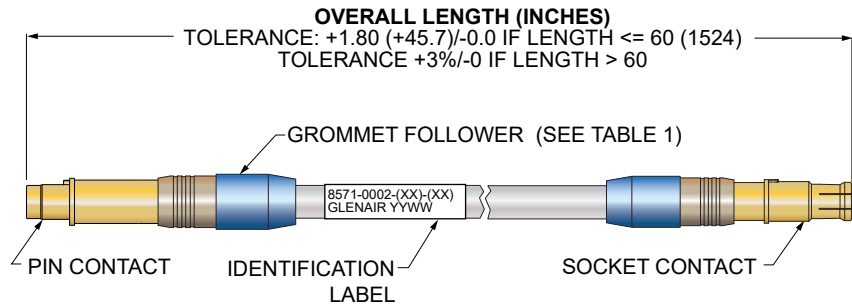
Technical Data

- Refer to individual contact and cable data sheets for construction details
- 100% tested for shorts, continuity and IR
- Operating temp.:** -65° to +175°C
- Impedance:** 100 ohms
- DWV:** 500 Vrms
- Current Rating:** 1.5 A
- IR:** 200 megohms min.
- Durability:** 500 mating cycles

Wiring Diagram



Lower installed cost. 100% tested. Save assembly time and cost with pre-wired El Ochito[®] White assemblies. These pin-to-socket cables have El Ochito[®] White contacts terminated to Cat 8 aerospace-grade shielded cable. Supplied with cable grommet follower if applicable. These pre-wired El Ochito[®] contacts snap into connector body without requiring an insertion tool. Remove contacts with plastic tool 859-049. Compatible with Glenair Series 23, Series 28, Series 792, Series 816, Series 806, ARINC 600 and EPXB connectors. Designed to meet the requirements of MIL-DTL-38999, SAE AS39029. *El Ochito[®] contacts must be installed in keyed connectors before mating to prevent misalignment and contact damage.*



Cat 8 Pre-Wired El Ochito[®] Pin-Socket Assemblies

Sample Part Number	8571-0040	-A	A	-1	-24
Product	8571-0040 = Pre-wired El Ochito [®] contacts, Pin-to-Socket				
Pin Contact Code	See Table I				
Skt Contact Code	See Table II				
Cable Type	See Table III				
Length	Length in Inches (12 inch minimum)				

Table I: Pin Contact Code

Connector Series	Order Code	Ochito Contact	Boot Type
Series 23 Series 28	A	858-003	Sealing
ARINC 600	B	858-009	Alnmnt
EPXB	C	858-014	Sealing
Series 792 Series 816 Series 806	D	858-045	Sealing

Table III: Cable Type

Order Code	Cable Part No.	Cable Description
1	963-132-26	Cat 8 S/FTP, EF100
2	963-135-26	Cat 8 S/FTP, FEP

Table II: Socket Contact Code

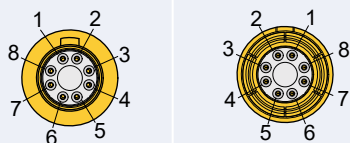
Connector Series	Order Code	Ochito Contact	Boot Type
Series 23 Series 28	A	858-004	Sealing
ARINC 600	B	858-010	Alnmnt
EPXB	C	858-015	Sealing
Series 792 Series 806 Series 816	D	858-046	Sealing

El Ochito® Type II White Pin-to-Socket Cat 8 Cable Assembly 8571-0041



El Ochito® White for 40GBASE-T Ethernet, pin contact mating face

Contact Positions



Mating face of Pin

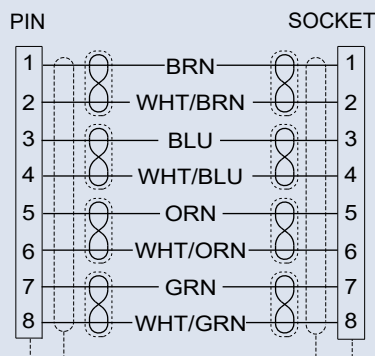
Mating face of Socket

Technical Data

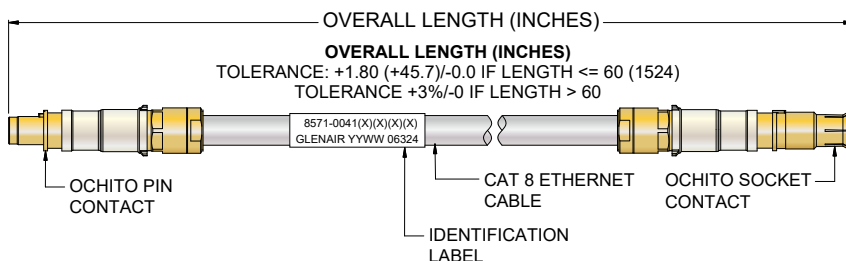
- Refer to individual contact and cable data sheets for construction details
- 100% tested for shorts, continuity and IR

- Connector Operating temp.:** -65° to +175°C
- Impedance:** 100 ohms
- DWV:** 500 Vrms
- Current Rating:** 1.5 A
- IR:** 200 megohms min.
- Durability:** 500 mating cycles

Wiring Diagram



Lower installed cost. 100% tested. Save assembly time and cost with pre-wired El Ochito® White assemblies. These pin-to-socket cables have El Ochito® White contacts terminated to Cat 8 aerospace-grade shielded cable. These pre-wired El Ochito® contacts snap into connector body without requiring an insertion tool. Compatible with Glenair Series 23, Series 28, Series 792, Series 816, Series 806, ARINC 600 and EPXB connectors. Designed to meet the requirements of MIL-DTL-38999, SAE AS39029. *El Ochito® contacts must be installed in keyed connectors before mating to prevent misalignment and contact damage.*



Cat 8 Pre-Wired El Ochito® Pin-Socket Assemblies

Sample Part Number	8571-0041	-A	A	-1	-24
Product	8571-0041 = Pre-wired El Ochito® contacts, Pin-to-Socket				
Pin Contact Code	See Table I				
Skt Contact Code	See Table II				
Cable Type	See Table III				
Length	Length in Inches (12 inch minimum)				

Table I: Pin Contact Code

Connector Series	Order Code	Ochito Contact
Series 23 Series 28	A	858-005
Series 792	B	858-043
Series 806 Series 816	C	858-051

Table II: Skt Contact Code

Connector Series	Order Code	Ochito Contact
Series 23 Series 28	A	858-006
Series 792	B	858-042
Series 806 Series 816	C	858-052

Table III: Cable Type

Order Code	Cable Part No.	Cable Description
1	963-132-26	Cat 8 S/FTP, EF100
2	963-132-24	Cat 8 S/FTP, EF100
3	963-135-26	Cat 8 S/FTP, FEP

EL OCHITO® JUMPERS

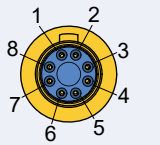
El Ochito[®] Blue Single-Ended SuperSpeed USB Cable Assembly 8572-0001

ELOCHITO[®] JUMPERS

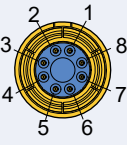


El Ochito[®] Blue for SuperSpeed USB, pin contact mating face

Contact Positions



Mating face of Pin



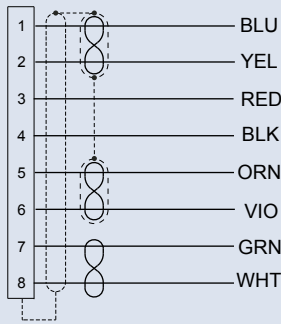
Mating face of Socket

Technical Data

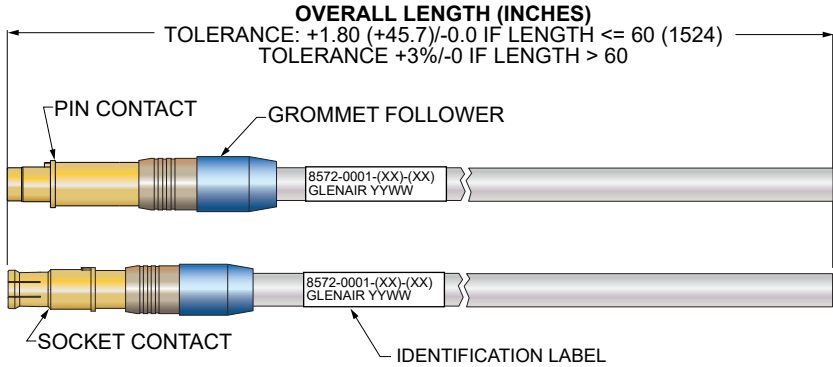
- Refer to individual contact and cable data sheets for construction details
- 100% tested for shorts, continuity and IR
- **Operating temp.:** -65° to +175°C, aerospace-grade
0° to +80°C, commercial-grade
- **Impedance:** 90 ohms
- **DWV:** 100 Vrms
- **Current Rating:** 1.5 A
- **IR:** 100 megohms min.
- **Durability:** 500 mating cycles

Wiring Diagram

OCHITO CONTACT



Two cable options: commercial grade or flight-grade. 100% tested. Save assembly time and cost with pre-wired El Ochito[®] Blue SuperSpeed USB assemblies. These single-ended assemblies have El Ochito[®] Blue contacts terminated to USB 3.0 shielded cables. Supplied with cable grommet follower. Commercial-grade version has PVC jacket. Aerospace-grade version has high temperature fluoropolymer construction and braided shields on SuperSpeed pairs. Compatible with Glenair Series 23, Series 28, Series 792, Series 816, Series 806, and ARINC 600 connectors. *El Ochito[®] contacts must be installed in keyed connectors before mating to prevent misalignment and contact damage.*



El Ochito[®] Blue USB Single-Ended Cable Assemblies

Sample Part Number	8572-0001	-01	-36
Product	8572-0001 = Pre-wired El Ochito [®] contact with USB 3.0 cable		
Order Code	See Table 1		
Length	Length in Inches (12 inch minimum)		

Table 1 Order Code

Connector Type	Order Code	Contact Part No.	Pin/Skt	Cable Part Number
Series 23 Series 28	01	858-028-01F	Pin	963-118
	02	858-028-02F	Pin	963-110
	03	858-029-01F	Socket	963-118
	04	858-029-02F	Socket	963-110
ARINC 600	05	858-038-01	Pin	963-118
	06	858-038-02	Pin	963-110
	07	858-035-01	Socket	963-118
	08	858-035-02	Socket	963-110
Series 792 Series 806 Series 816	09	858-047-01F	Pin	963-118
	10	858-047-02F	Pin	963-110
	11	858-048-01F	Socket	963-118
	12	858-048-02F	Socket	963-110

Cable Type

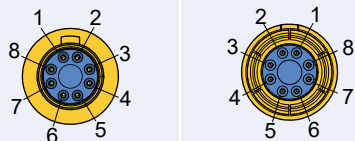
Order Code	Cable Type
01, 03, 05, 07, 09, 11	Commercial-grade, PVC Jacket, 0° to +80°C
02, 04, 06, 08, 10, 12	Aerospace-grade, Fluoropolymer Jacket, -65° to +200°C

El Ochito® Blue Pin-Socket SuperSpeed USB Cable Assembly 8572-0002



El Ochito® Blue for SuperSpeed USB, pin contact mating face

Contact Positions



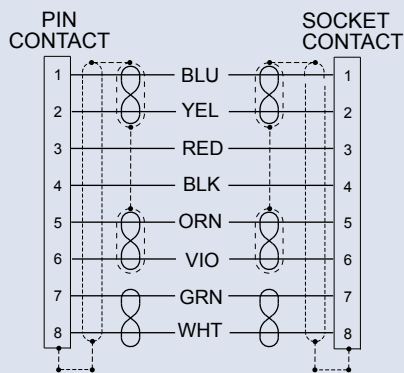
Mating face of Pin

Mating face of Socket

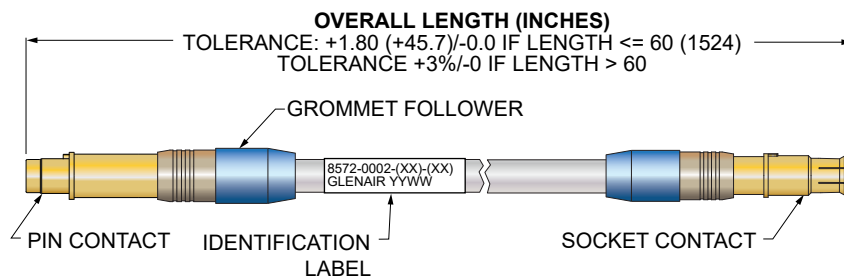
Technical Data

- Refer to individual contact and cable data sheets for construction details
- 100% tested for shorts, continuity and IR
- Operating temp.:** -65° to +175°C, aerospace-grade
0° to +80°C, commercial-grade
- Impedance:** 90 ohms
- DWV:** 100 Vrms
- Current Rating:** 1.5 A
- IR:** 100 megohms min.
- Durability:** 500 mating cycles

Wiring Diagram



Aerospace-grade or commercial-grade cable. 100% tested. Save assembly time and cost with pre-wired El Ochito® Blue SuperSpeed USB assemblies. These assemblies have a pin contact on one end and a socket contact on the other. Aerospace-grade high temperature cable (963-110) has fluoropolymer construction. Commercial-grade version (963-118) has PVC jacket. Compatible with Glenair Series 23, Series 28, Series 792, Series 816, Series 806 and ARINC 600 connectors. Supplied with cable grommet follower. *El Ochito® contacts must be installed in keyed connectors before mating to prevent misalignment and contact damage.*



Pre-Wired El Ochito® Blue Pin-Socket Cable Assemblies

Sample Part Number→	8572-0002	-01	-36
Product	8572-0002 = Pre-wired El Ochito® contact with USB 3.0 cable		
Order Code	See Table 1		
Length	Length in Inches (12 inch minimum)		

Table 1 Order Code

Connector Type	Order Code	Pin Contact Part No.	Socket Contact Part No.	Cable Type	Cable Part Number
Series 23 Series 28	01	858-028-01F	858-029-01F	Commercial-grade PVC Jacket 0° to +80C	963-118
	02	858-028-02F	858-029-02F	Aerospace-grade Fluoropolymer Jacket -65° to +200C	963-110
ARINC 600	03	858-038-01	858-035-01	Commercial-grade PVC Jacket 0° to +80C	963-118
	04	858-038-02	858-035-02	Aerospace-grade Fluoropolymer Jacket -65° to +200C	963-110
Series 792 Series 806 Series 816	05	858-047-01F	858-048-01F	Commercial-grade PVC Jacket 0° to +80C	963-118
	06	858-047-02F	858-048-02F	Aerospace-grade Fluoropolymer Jacket -65° to +200C	963-110

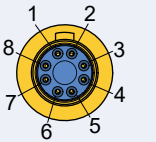
El Ochito[®] Blue to SuperSpeed USB Cable Assemblies 8572-0003

EL OCHITO[®] JUMPERS

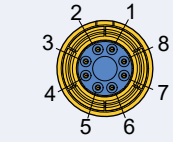


El Ochito[®] Blue for SuperSpeed USB, pin contact mating face

Contact Positions



Mating face of Pin



Mating face of Socket

Technical Data

- **Operating temp.:** 0° to +80°C
- **Impedance:** 90 ohms
- **DWV:** 100 Vrms
- **Current Rating:** 1.5 A
- **IR:** 100 megohms min.
- **Durability:** 500 mating cycles

Construction

- Refer to individual contact data sheets for additional details
- 100% tested for shorts, continuity and IR
- **Cable:** commercial-grade, PVC jacket, non-DFAR compliant

USB 3.0 Connectors. Commercial grade. 100% tested. Save assembly time and cost with pre-wired El Ochito[®] Blue SuperSpeed USB assemblies. These assemblies have El Ochito[®] Blue contacts wired to USB 3.0 Connectors. Supplied with grommet follower boot. Compatible with Glenair Series 23, Series 28, Series 792, Series 816, Series 806, and ARINC 600 connectors. *El Ochito[®] contacts must be installed in keyed connectors before mating to prevent misalignment and contact damage.*

El Ochito[®] Blue to USB 3.0 Cable Assemblies

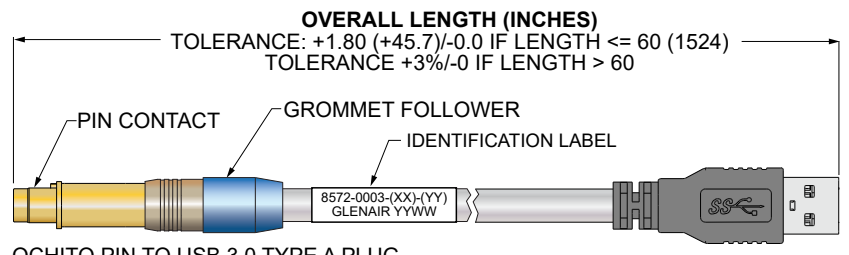
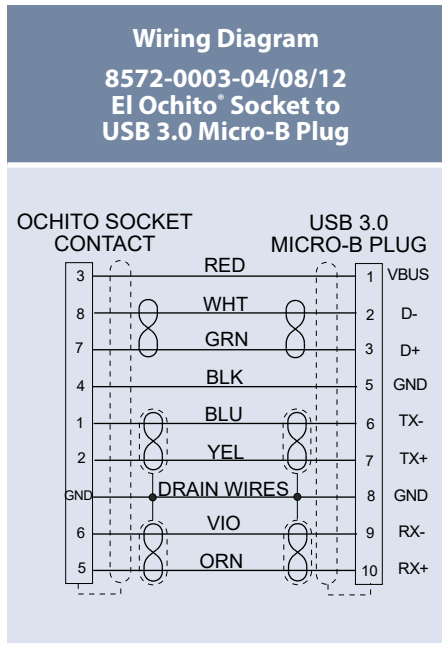
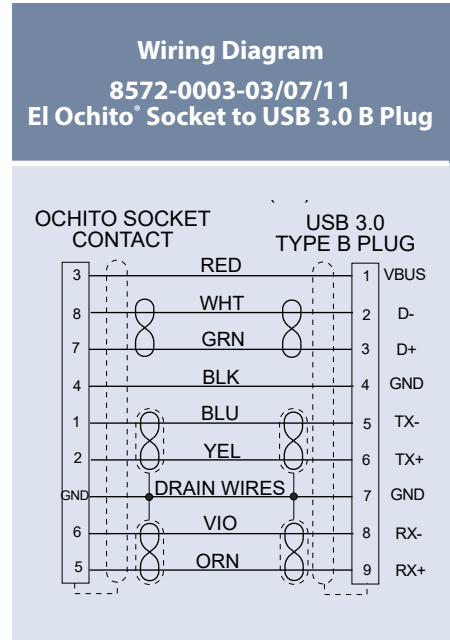
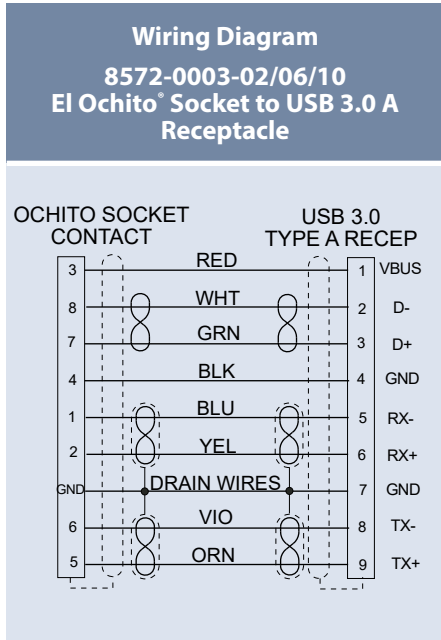
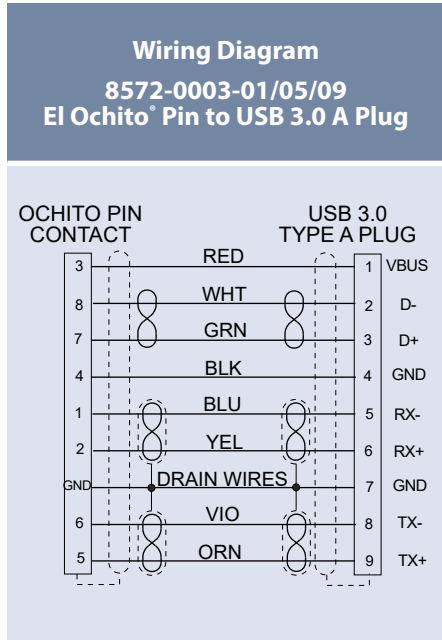
Sample Part Number→	8572-0003	-01	-36
Product	8572-0003 = Pre-wired El Ochito [®] contacts with USB 3.0 connectors		
Order Code	See Table 1		
Length	Length in Inches (12 inch minimum)		

Table 1 Order Code

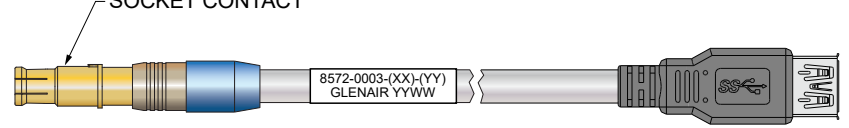
Connector Type	Order Code	Contact Part No.	Pin/Skt	USB 3.0 Connector
Series 23 Series 28	01	858-028-01F	Pin	A Plug
	02	858-029-01F	Socket	A Recep
	03	858-029-01F	Socket	B Plug
	04	858-029-01F	Socket	Micro-B Plug
ARINC 600	05	858-038-01	Pin	A Plug
	06	858-035-01	Socket	A Recep
	07	858-035-01	Socket	B Plug
	08	858-035-01	Socket	Micro-B Plug
Series 792 Series 806 Series 816	09	858-047-01F	Pin	A Plug
	10	858-048-01F	Socket	A Recep
	11	858-048-01F	Socket	B Plug
	12	858-048-01F	Socket	Micro-B Plug

El Ochito[®] Blue to SuperSpeed USB Cable Assemblies 8572-0003

EL OCHITO[®] JUMPERS



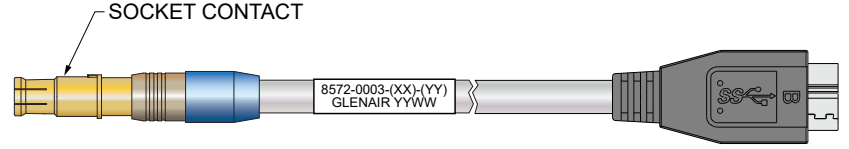
OCHITO PIN TO USB 3.0 TYPE A PLUG USB 3.0 CONNECTOR ORDER CODE -1, -5, -9



OCHITO SOCKET TO USB 3.0 TYPE A RECEPT USB 3.0 CONNECTOR ORDER CODE -2, -6, -10



OCHITO SOCKET TO USB 3.0 TYPE B PLUG USB 3.0 CONNECTOR ORDER CODE -3, -7, -11



OCHITO SOCKET TO USB 3.0 TYPE MICRO-B PLUG USB 3.0 CONNECTOR ORDER CODE -4, -8, -12

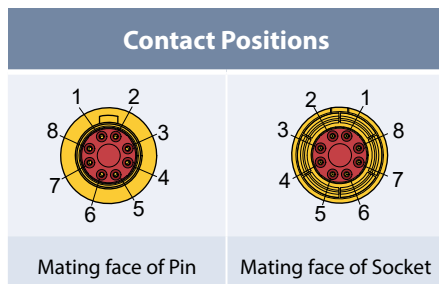
El Ochito[®] Red Single-Ended Cable Assembly 8573-0001

ELOCHITO[®] JUMPERS

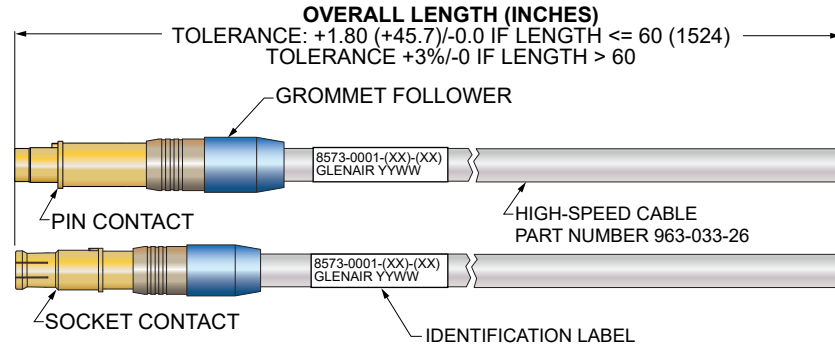
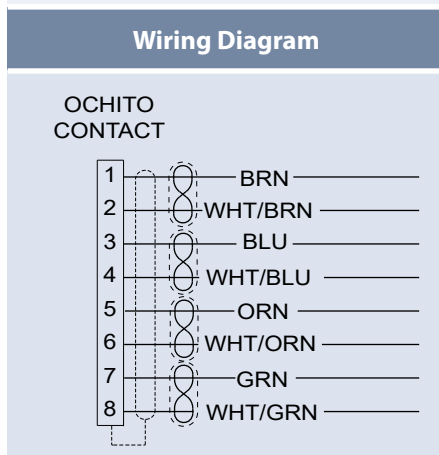


El Ochito[®] Red for Multi-Gigabit 100 Ohm Datalinks, pin contact mating face

Save assembly time and cost with pre-wired, 100% tested El Ochito[®] Red assemblies for datalinks up to 1Gbps per pair. These single-ended cables have El Ochito[®] Red contacts terminated to high performance flight-grade 100 ohm shielded twisted pair cable. Supplied with cable grommet follower. Compatible with Glenair Series 23, Series 28, Series 792, Series 816, Series 806 and ARINC 600 connectors. Designed to meet the requirements of MIL-DTL-38999 and SAE AS39029. *El Ochito[®] contacts must be installed in keyed connectors before mating to prevent misalignment and contact damage.*



- ### Technical Data
- Refer to individual contact data sheets for construction details
 - 100% tested for shorts, continuity and IR
 - Operating temp.:** -65° to +175°C
 - Impedance:** 100 ohms
 - DWV:** 300 Vrms
 - Current Rating:** 1.5 A
 - IR:** 10 megohms min.
 - Durability:** 500 mating cycles



El Ochito[®] Red Single-Ended Cable Assemblies

Sample Part Number→	8573-0001	-01	-36
Product	8573-0001 = Pre-wired El Ochito [®] contact, single-ended		
El Ochito [®] Contact P/N	See Table I		
Length	Length in Inches (12 inch minimum)		

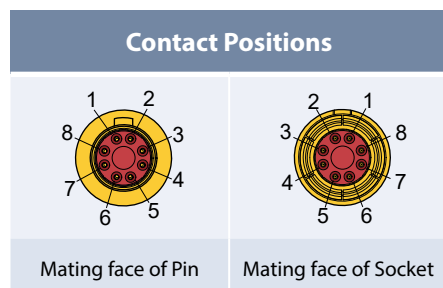
Table 1 Order Code

Connector Type	Order Code	Contact Part No.	Pin/Skt	Bandwidth Per Pair	Cable
Series 23 Series 28	01	858-030-02F	Pin	up to 1 Gbps	963-033-26 26 AWG
	02	858-031-02F	Socket	up to 1 Gbps	963-033-26 26 AWG
ARINC 600	03	858-039-01	Pin	up to 1 Gbps	963-033-26 26 AWG
	04	858-037-01	Socket	up to 1 Gbps	963-033-26 26 AWG
Series 792 Series 806 Series 816	05	858-049-01F	Pin	up to 1 Gbps	963-033-26 26 AWG
	06	858-050-01F	Socket	up to 1 Gbps	963-033-26 26 AWG

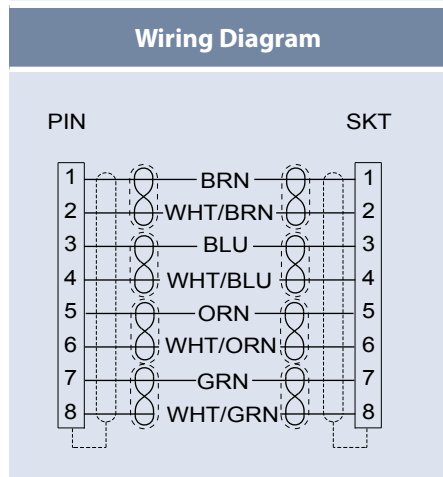
El Ochito® Red Pin-Socket Cable Assembly 8573-0002



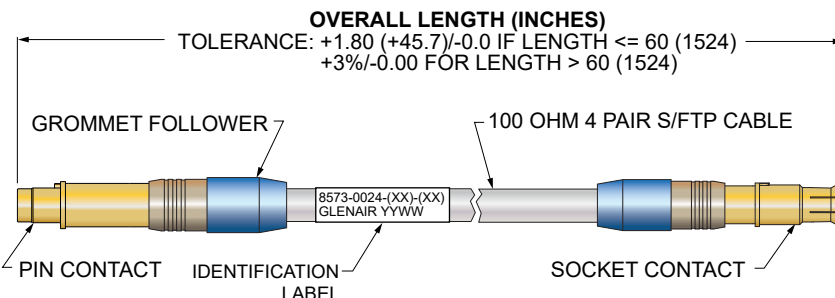
El Ochito® Red for Multi-Gigabit 100 Ohm Datalinks, pin contact mating face



Technical Data
<ul style="list-style-type: none"> Refer to individual contact data sheets for construction details 100% tested for shorts, continuity and IR
<ul style="list-style-type: none"> Operating temp.: -65° to +175°C Impedance: 100 ohms DWV: 300 Vrms Current Rating: 1.5 A IR: 10 megohms min. Durability: 500 mating cycles



Save assembly time and cost with pre-wired, 100% tested El Ochito® Red assemblies for datalinks up to 1Gbps per pair. These pin-to-socket cables have El Ochito® Red contacts terminated to high performance flight-grade 100 ohm shielded twisted pair cable. Supplied with cable grommet follower. Compatible with Glenair Series 23, Series 28, Series 792, Series 816, Series 806 and ARINC 600 connectors. Designed to meet the requirements of MIL-DTL-38999 and SAE AS39029. *El Ochito® contacts must be installed in keyed connectors before mating to prevent misalignment and contact damage.*



Pre-Wired El Ochito® Red Pin-Socket Cable Assemblies			
Sample Part Number→	8573-0002	-01	-48
Product	8573-0002 = Pre-wired El Ochito® Red Pin-to-Socket Assemblies.		
El Ochito® Contact P/N	See Table 1		
Length	Length in Inches (12 inch minimum)		

Table 1 Order Code					
Connector Type	Order Code	Pin Contact Part No.	Skt Contact Part No.	Bandwidth Per Pair	Cable
Series 23 Series 28	01	858-030-02F	858-031-02F	up to 1 Gbps	963-033-26 26 AWG
ARINC 600	02	858-039-01	858-037-01	up to 1 Gbps	963-033-26 26 AWG
Series 792 Series 806 Series 816	03	858-049-01F	858-050-01F	up to 1 Gbps	963-033-26 26 AWG

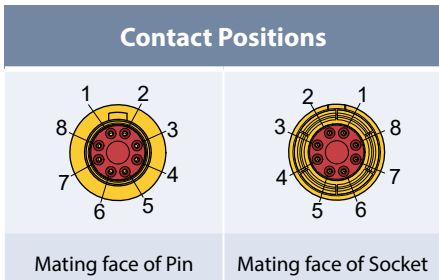
ELOCHITO® JUMPERS

El Ochito® Red Single-Ended Cable Assembly 8573-0023

EL OCHITO® JUMPERS



El Ochito® Red for Multi-Gigabit 100 Ohm Datalinks, pin contact mating face

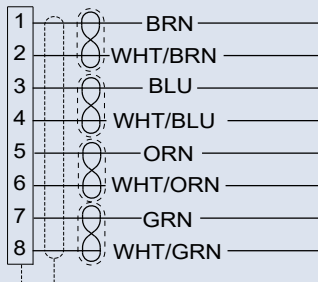


Technical Data

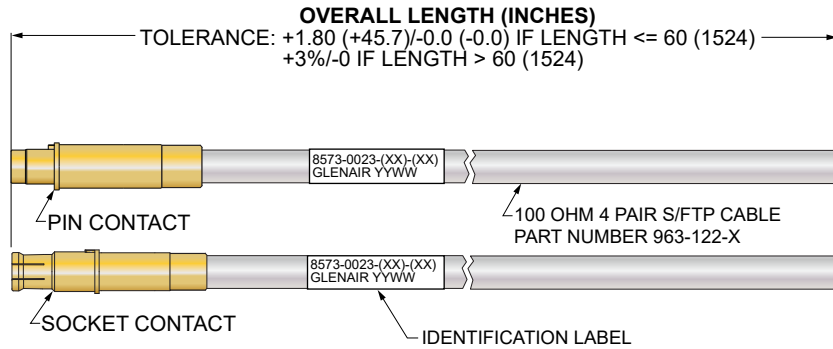
- Refer to individual contact and wire data sheets for construction details
- 100% tested for shorts, continuity and IR
- Operating temp.:**
963-122-1 and -3: -65° to +175°C
963-122-2: -40° to +90°C
- Impedance:** 100 ohms
- DWV:** 300 Vrms
- Current Rating:** 1.5 A
- IR:** 10 megohms min.
- Durability:** 500 mating cycles

Wiring Diagram

EL OCHITO® CONTACT



Save assembly time and cost with pre-wired, 100% tested El Ochito® Red assemblies for up to 10 Gbps per pair. These single-ended cables have El Ochito® Red contacts terminated to Glenair general purpose, aerospace-grade 100 ohm shielded twisted pair cable. Suitable for HDMI and DisplayPort protocol applications. Compatible with Glenair Series 23, Series, Series 28, Series 792, Series 816, Series 806 and ARINC 600 connectors. Designed to meet the requirements of MIL-DTL-38999 and SAE AS39029. *El Ochito® contacts must be installed in keyed connectors before mating to prevent misalignment and contact damage.*



El Ochito® Red Single-Ended Cable Assemblies

Sample Part Number→	8573-0023	-01	-1	-36
Product	8573-0023 = Pre-wired El Ochito® contact, single-ended, Multi-Gigabit			
El Ochito® Contact P/N	See Table I			
Cable Jacket	1 = Duraelectric Lite 2 = Polyurethane LSZH 3 = FEP			
Length	Length in Inches (12 inch minimum)			

Table 1 Order Code

Connector Type	Order Code	Contact Part No.	Pin/Skt	Bandwidth Per Pair	Cable
Series 23 Series 28	01	858-030-02	Pin	up to 10 Gbps	963-122-X 26 AWG
	02	858-031-02	Socket	up to 10 Gbps	963-122-X 26 AWG
ARINC 600	03	858-039-01	Pin	up to 10 Gbps	963-122-X 26 AWG
	04	858-037-01	Socket	up to 10 Gbps	963-122-X 26 AWG
Series 792 Series 806 Series 816	05	858-049-01	Pin	up to 10 Gbps	963-122-X 26 AWG
	06	858-050-01	Socket	up to 10 Gbps	963-122-X 26 AWG

El Ochito® Red Pin-Socket Cable Assembly 8573-0024



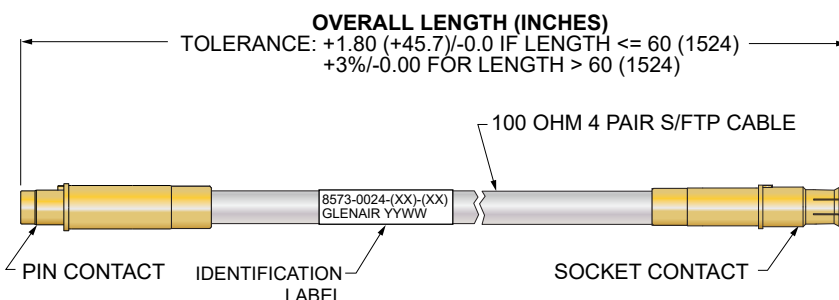
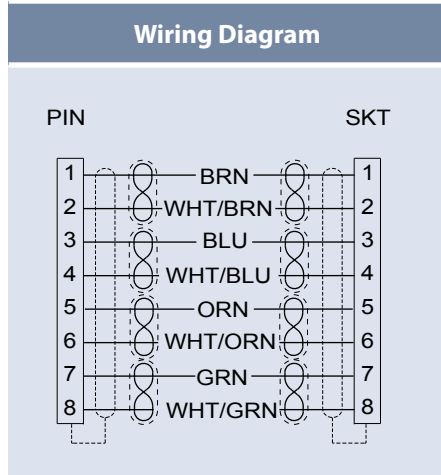
El Ochito® Red for Multi-Gigabit 100 Ohm Datalinks, pin contact mating face

Save assembly time and cost with pre-wired, 100% tested El Ochito® Red assemblies for up to 10 Gbps per pair. These single-ended cables have El Ochito® Red contacts terminated to Glenair general purpose, aerospace-grade 100 ohm shielded twisted pair cable. Suitable for Cat 6a, HDMI and DisplayPort protocol applications. Compatible with Glenair Series 23, Series 28, Series 792, Series 816, Series 806 and ARINC 600 connectors. Designed to meet the requirements of MIL-DTL-38999 and SAE AS39029. *El Ochito® contacts must be installed in keyed connectors before mating to prevent misalignment and contact damage.*

EL OCHITO® JUMPERS



Technical Data
<ul style="list-style-type: none"> Refer to individual contact data sheets for construction details 100% tested for shorts, continuity and IR
<ul style="list-style-type: none"> Operating temp.: 963-122-1 and -3: -65° to +175°C 963-122-2: -40° to +90°C Impedance: 100 ohms DWV: 300 Vrms Current Rating: 1.5 A IR: 10 megohms min. Durability: 500 mating cycles



Pre-Wired El Ochito® Red Pin-Socket Cable Assemblies				
Sample Part Number→	8573-0024	-01	-1	-48
Product	8573-0024 = Pre-wired El Ochito® Red Pin-to-Socket Assemblies.			
El Ochito® Contact P/N	See Table 1			
Cable Jacket	1 = Duraelectric Lite 2 = Polyurethane LSZH 3 = FEP			
Length	Length in Inches (12 inch minimum)			

Table 1 Order Code					
Connector Type	Order Code	Pin Contact Part No.	Skt Contact Part No.	Bandwidth Per Pair	Cable
Series 23 Series 28	01	858-030-02	858-031-02	up to 10 Gbps	963-122-X 26 AWG
ARINC 600	02	858-039-01	858-037-01	up to 10 Gbps	963-122-X 26 AWG
Series 792 Series 806 Series 816	03	858-049-01	858-050-01	up to 10 Gbps	963-122-X 26 AWG

El Ochito[®] Jumper Cable Mating Adapters

JUMPER MATING ADAPTERS



Pin Contact

Socket Contact

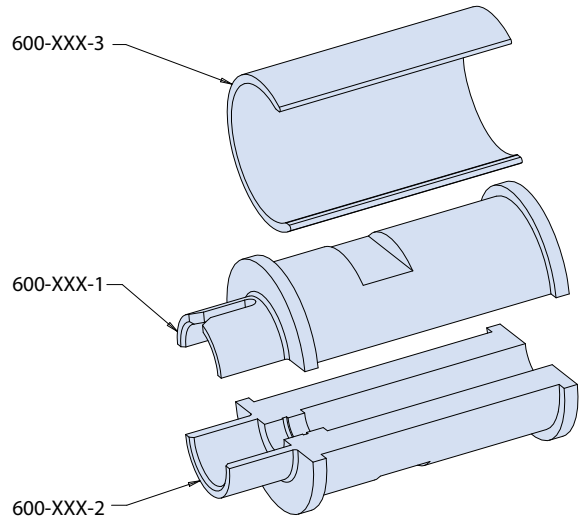
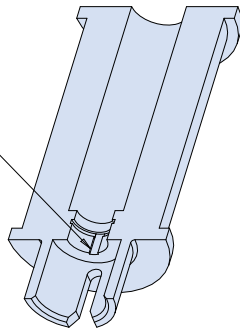
Safely test and mate El Ochito contacts prior to installing them into a connector. Ideal for testing dielectric withstanding voltage (DWV), insulation resistance (IR), and conducting continuity and performance checks during assembly of jumpers. Adapters are made of a rigid dielectric and composed of three individual components designed to safely protect against damage and misalignment.

El Ochito Jumper Mating Adapters		
Connector Series	Pin Tool	Socket Tool
SuperNine (Series 23), HiPer-D (Series 28)	600-263	600-264
Series 806, 816, 792	600-267	600-264
ARINC 600, EPXB, EN3545	600-265	600-266

El Ochito Socket Adapter



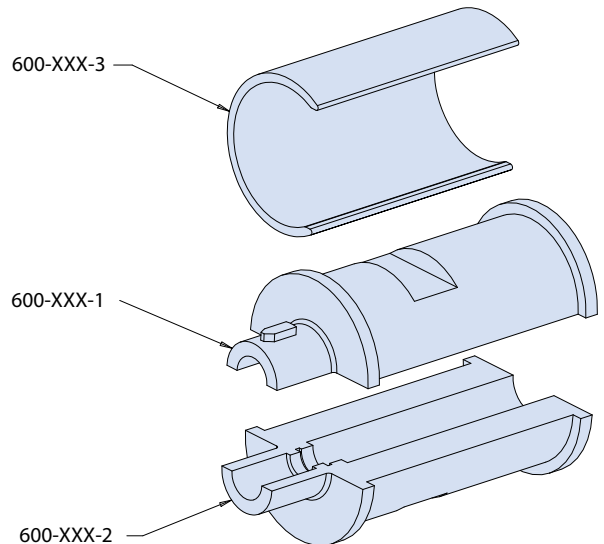
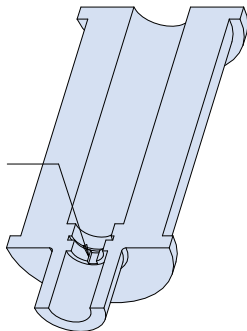
ALIGN MAIN KEY OF EL OCHITO WITH KEYWAY OF 600-XXX-1



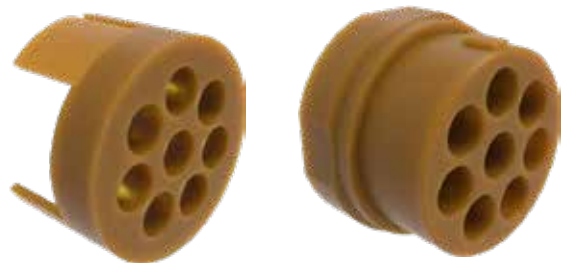
El Ochito Pin Adapter



ALIGN MAIN KEY OF EL OCHITO WITH KEYWAY OF 600-XXX-1



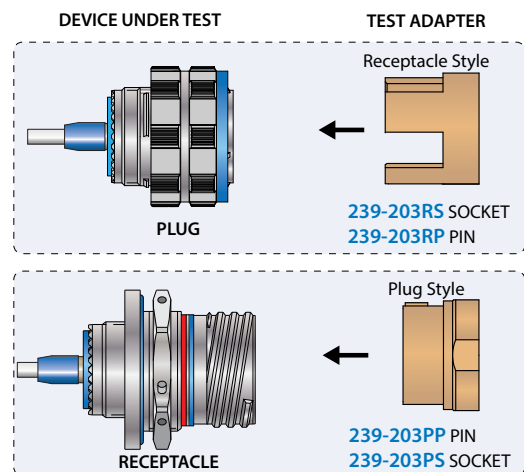
El Ochito® Test Adapters for SuperNine® Connectors



Receptacle Contact Adapter

Plug Contact Adapter

Test your system or cable while preventing damage to expensive cables with El Ochito® test adapters. These test adapters properly align test contacts without the added expense and time-consuming labor of mating connectors. Insert adapter cable into adapter then push test adapter into Device Under Test (DUT).



Test Adapters for SuperNine® Connectors				
Sample Part Number→	239-203	-P	S	19-18
Product	239-203 = Test adapter for SuperNine with El Ochito Contacts			
Fixture Shell Style	P = Plug R = Receptacle			
Contact Gender	P = Pin S = Socket			
Insert Arrangement	9G5 ¹ , 11-1 ¹ , 13-14 ¹ , 17-2 ¹ , 17-22, 17-60, 17-75, 19-4, 19-17, 19-18, 21-75, 23-5, 23-6, 25-7, 25-8, 25-17, 25-20, 25-26, 25-41, 25-46			

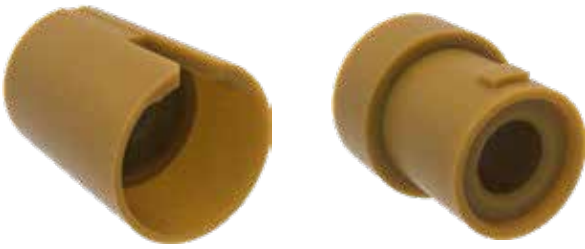
Connector Compatibility
<ul style="list-style-type: none"> Glenair SuperNine connectors such as 233-217, -218, -224, -225 SuperNine® connectors with size 8 data contacts
Construction
<ul style="list-style-type: none"> Copper alloy retention clip, rigid dielectric and universally keyed
Notes
<ol style="list-style-type: none"> 9G5, 11-1, 13-14, and 17-2 do not have the contact retention clip installed Retention clips are only placed in size 8 cavity of arrangements with multiple size 8 cavities Fixtures use SuperNine El Ochito contacts. Consult El Ochito® ordering information beginning on page 6

239-203 Plug Adapter	
Shell Size	ØA
09 (A)	.650 (16.51)
11 (B)	.780 (19.81)
13 (C)	.900 (22.86)
17 (E)	1.203 (30.56)
19 (F)	1.265 (32.13)
21 (G)	1.390 (35.31)
23 (H)	1.520 (38.61)
25 (J)	1.635 (41.53)

239-203 Receptacle Adapter	
Shell Size	ØB
09 (A)	.546 (13.87)
11 (B)	.674 (17.12)
13 (C)	.786 (19.96)
17 (E)	1.036 (26.31)
19 (F)	1.141 (28.98)
21 (G)	1.266 (32.16)
23 (H)	1.391 (35.33)
25 (J)	1.516 (38.51)

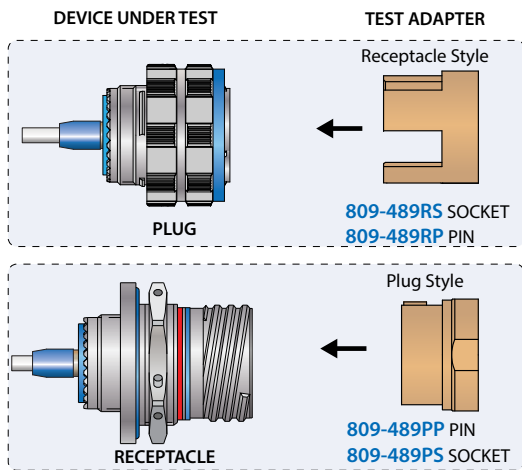
El Ochito® Test Adapters for Series 806 Mil-Aero Connectors

EL OCHITO® TEST ADAPTERS



Receptacle Contact Adapter Plug Contact Adapter

Test your system or cable while preventing damage to expensive cables with El Ochito® test adapters. These test adapters properly align test contacts without the added expense and time-consuming labor of mating connectors. Insert adapter cable into adapter then push test adapter into Device Under Test (DUT).



Test Adapters for Series 806 Mil-Aero Connectors				
Sample Part Number→	809-489	-P	S	16-22
Product	809-489 = Test adapter for Series 806 with El Ochito Contacts			
Fixture Shell Style	P = Plug R = Receptacle			
Contact Gender	P = Pin S = Socket			
Insert Arrangement	10-1 ¹ , 14-20A ¹ , 16-2, 16-22, 18-3, 18-21, 20-4, 20-28, 22-5, 24-8, 22-44, 24-97			

Construction
<ul style="list-style-type: none"> Rigid dielectric and universally keyed
Notes
<ol style="list-style-type: none"> 10-1, and 14-20A do not have any retention clips installed Retention clips are only placed in size 8 cavity of arrangements with multiple size 8 cavities Fixtures use Series 806 El Ochito contacts. Consult El Ochito® ordering information beginning on page 6

809-489-P Plug Adapter	
Shell Size	ØA
10	.658 (16.71)
14	.863 (21.92)
16	.996 (25.30)
18	1.111 (28.22)
20	1.239 (31.47)
22	1.326 (33.68)
24	1.457 (37.01)

809-489-R Receptacle Adapter	
Shell Size	ØB
10	.546 (13.87)
14	.689 (17.50)
16	.937 (23.80)
18	1.062 (26.97)
20	1.187 (30.15)
22	1.305 (33.15)
24	1.437 (36.50)

El Ochito® Test Adapters for HiPer-D Connectors



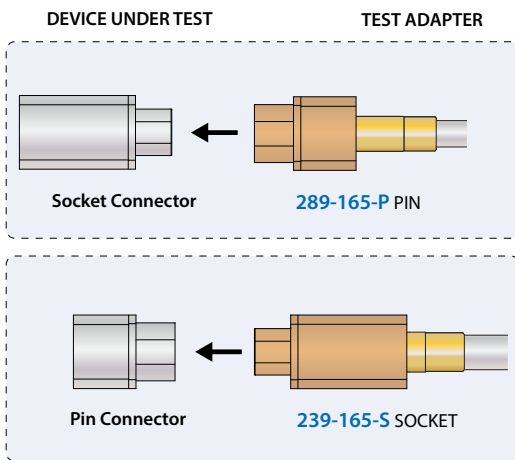
Pin Contact Adapter



Socket Contact Adapter

Test your system or cable while preventing damage to expensive cables with El Ochito® test adapters. These test adapters properly align test contacts without the added expense and time-consuming labor of mating connectors. Insert adapter cable into adapter then push test adapter into Device Under Test (DUT).

EL OCHITO® TEST ADAPTERS

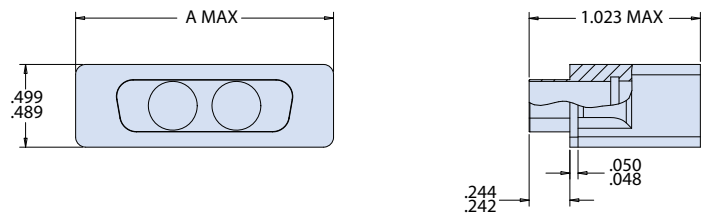


Test Adapters for Series 28 HiPer-D Connectors			
Sample Part Number→	289-165	S	3E3
Product	289-165 = Test adapter for HiPer-D Connectors with El Ochito Contacts		
Contact Gender	P = Pin S = Socket		
Insert Arrangement	1E1 ¹ , 2E2, 3E3, 3E4, 4E5		

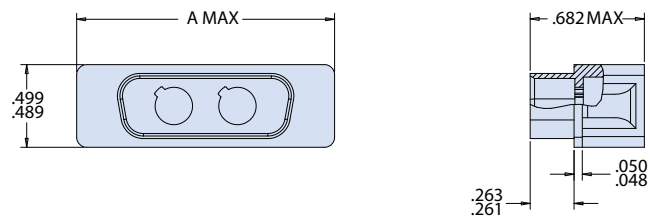
Plug and Receptacle Adapter Dimensions	
Shell Size	A
1	1.228 (31.19)
2	1.556 (39.52)
3	2.103 (53.42)
4	2.744 (69.70)

Construction
<ul style="list-style-type: none"> Body: rigid dielectric Retention clip: copper alloy²
Notes
<ol style="list-style-type: none"> 1E1 do not have any retention clips installed. Retention clips are only placed in size 8 cavity of arrangements with multiple size 8 cavities Fixtures use SuperNine El Ochito contacts. Consult El Ochito® ordering information beginning on page 6

289-165-S Socket Contact Adapter



289-165-P Pin Contact Adapter



El Ochito® Test Adapters for Series 792 Connectors

EL OCHITO® TEST ADAPTERS

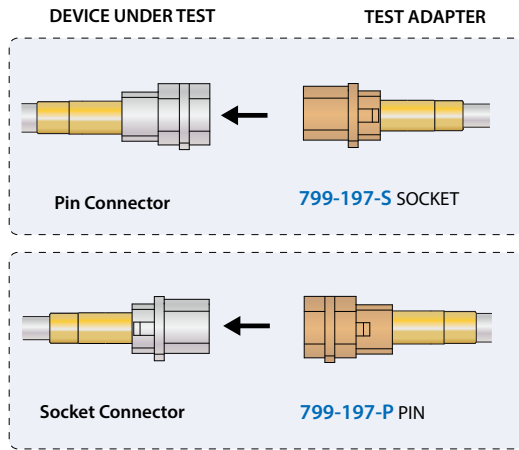


Pin Contact Adapter



Socket Contact Adapter

Test your system or cable while preventing damage to expensive cables with El Ochito® test adapters. These test adapters properly align test contacts without the added expense and time-consuming labor of mating connectors. Insert adapter cable into adapter then push test adapter into Device Under Test (DUT).



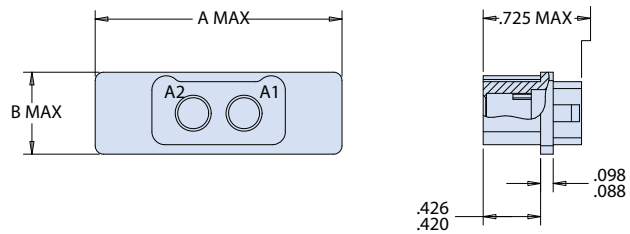
Test Adapters for Series 28 HiPer-D Connectors			
Sample Part Number→	799-197	-P	B-2W2
Product	799-197 = Test adapter for Series 792 Connectors with El Ochito Contacts		
Contact Gender	P = Pin S = Socket		
Insert Arrangement	B-23W1 ¹ , C-24W2, D-27W3, E-45W3 A-3W1 ¹ , B-6W2, C-9W3, D-12W4, E-15W5, F-31W9 A-1W1 ¹ ; B-2W2; C-3W3; D-4W4; E-5W5; F-9W9		

Plug and Receptacle Adapter Dims.		
Shell Size	A Max	B Max
A	1.455 (36.96)	.635 (16.13)
B	1.830 (46.48)	.635 (16.13)
C	2.205 (56.01)	.635 (16.13)
D	2.580 (65.53)	.635 (16.13)
E	2.955 (75.06)	.635 (16.13)
F	2.955 (75.06)	.990 (25.15)

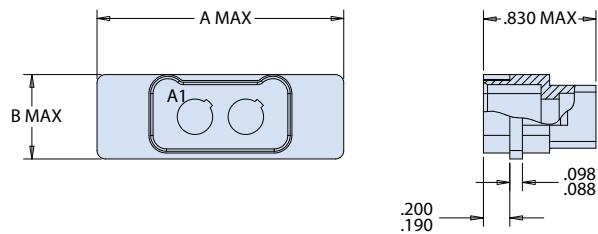
Construction
<ul style="list-style-type: none"> Material: Body: rigid dielectric Retention clip: copper alloy

Notes
1. Retention clips are only placed in size 8 cavity of arrangements with multiple size 8 cavities.
2. A-1W1, A-3W1, and B-23W1 do not have any clips installed.
3. Fixtures use Series 792 El Ochito contacts. Consult El Ochito® ordering information beginning on page 6

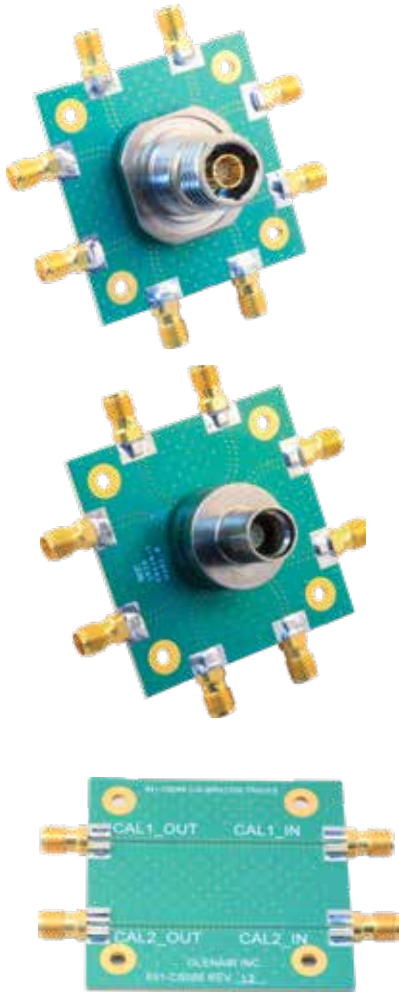
799-197-S Socket Contact Adapter



799-197-P Pin Contact Adapter



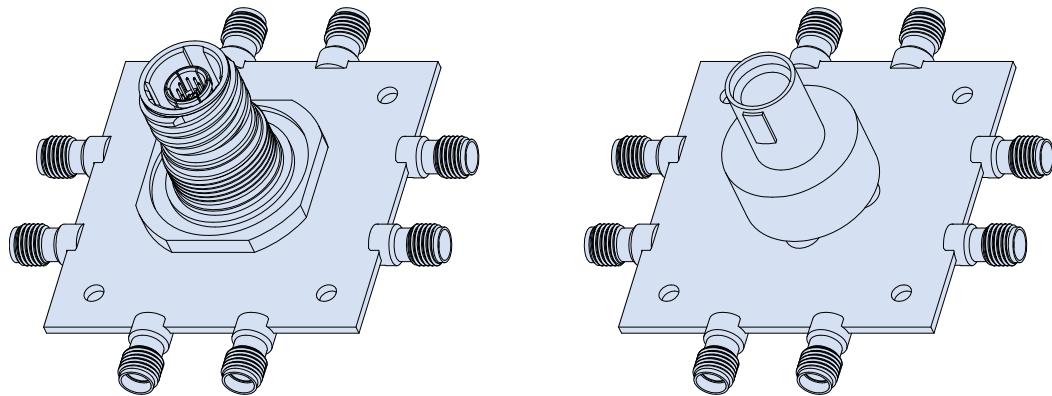
Signal Integrity Evaluation Fixture CB01-0121 for SuperNine El Ochito Contacts



Glenair evaluation fixture allows you test your cabled El Ochito contact for proper signal integrity of each individual contact within the El Ochito octaxial contact. Fixtures mate with SuperNine El Ochito contacts and must be used with supplied mating adapter. For other connector series evaluation fixtures consult factory.

Test Adapters for Series 23 SuperNine Connectors		
Sample Part Number→	CB01-0121	-R
Product	CB01-0121 = Signal integrity evaluation fixture for El Ochito contacts	
Ochito Type	W = El Ochito White B = El Ochito Blue R = El Ochito Red	

Notes
1. PCB differential impedance: 100 ohms
2. These fixtures are only intended for lab environment use.
3. Compatible with SuperNine El Ochito contacts: Blue: 858-028/029/069/070 Red: 858-030/031/063/064 White: 858-003/004, 858-005/006, 858-016/017
4. These fixtures are supplied with mating adapters. Mating adapters are required to prevent damage.
5. Each fixture is supplied with a calibration trace for fixture PCB removal. Calibration traces are 2X the length of each board's trace. Fixtures may also be mated together for complete removal.



EL OCHITO[®] TEST ADAPTERS

El Ochito[®] PCB Transition Adapters 858-025

EL OCHITO[®] TRANSITION ADAPTERS



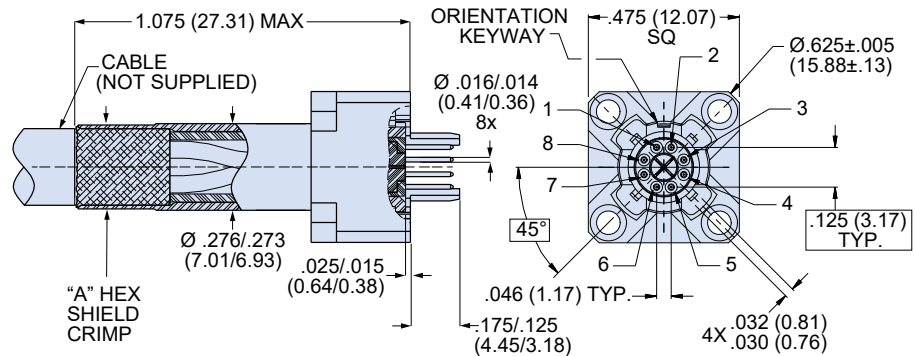
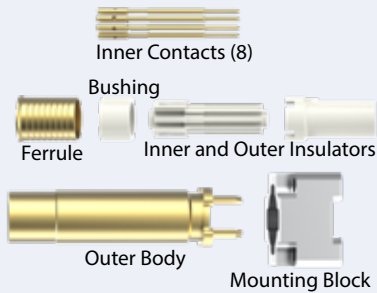
Launch controlled-impedance signals with El Ochito[®] transition adapters. Supplied as unassembled kit with (8) inner contacts, inner and outer insulators, bushing, outer body, crimp ferrule and mounting block. Terminate inner contacts and cable shield with crimp tools sold separately. Attach mounting block to circuit board with #0-80 screws and 059-0007-1 threaded inserts, sold separately.

858-025 El Ochito[®] PCB Transition Adapters

Dash No.	Color	Cables Accommodated	Protocols/Impedance	Ref Cable O.D.	"A" Hex	Assembly Instructions
-01	White	963-033-26	Cat 6A/10GbE (100 OHM)	.220 (5.59)	.231	AI85145-01
-02	Blue	963-110	USB 3.0 (90 OHM)	.237 (6.02)	.255	AI85146
-03	Red	963-122-X	up to 10Gbps per pair (100 OHM)	See Dwg	.231	AI85147
-04	White	963-132-26	Cat 8/40GbE (100 OHM)	.220 (5.59)	.231	AI85145-02

858-025 Components

Supplied as Unassembled Kit

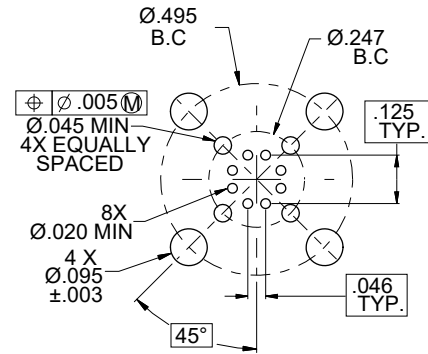


PIN NO. DESIGNATION NOT MARKED ON PART

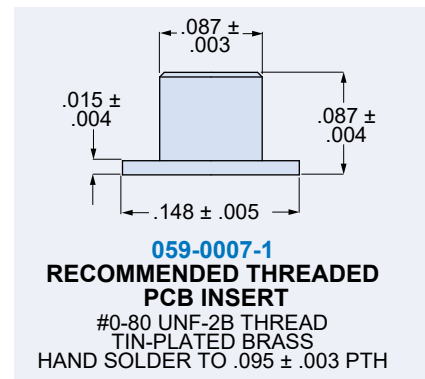
Technical Data

Specifications

- Operating temperature:** El Ochito[®]: -65 to +175°C
- Impedance:** El Ochito[®] Red and White: 100 ohms
El Ochito[®] Blue: 90 ohms
- Dielectric withstanding voltage:** 500 Vrms
- Current Rating:** 1.5 A
- Insulation resistance:** 5000 megohms min. @ 200 Vdc



See Glenair application Note AN0002 for optimal performance



Construction

- Inner contacts, outer body, ferrule:** copper alloy, 50 microinches gold over nickel plating
- Insulators, bushing:** thermoplastic
- Mounting block:** aluminum, electroless nickel plating

Inner Contact Crimp Tools



809-015
(M22520/2-01)



859-101
(K1906)

Shield-Ferrule Crimp Tools



809-129
(M22520/5-01)



858-186 for -02
859-007 for -01 & -03
(M22520/5-45)

Series 233 SuperNine®



- MIL-DTL-38999 Series III
- Triple-start ACME mating threads
- High vibration, high temperature
- 20 contact arrangements
- Contact alignment keyway
- Compatible with M85049 accessories
- For use with MIL-DTL-38999 type size 8 El Ochito® contacts

For More Information

Plug/Receptacle Crimp Contact..... 233-217
 Plug/Receptacle Crimp Contact..... 233-224⁽¹⁾
 Receptacles, Wall Mount PC Tail 233-218⁽¹⁾
 Receptacle, Wall Mount
 Dual Flange PC Tail..... 233-225
 (1) SuperNine Catalog

Glenair recommends the use of saddle bar backshells such as 620HS090 and 443-042 for proper strain relief

Series 882 SuperFly® DataLink



- Ultra-small, lightweight
- Push-pull or threaded coupling
- High shock and vibration
- Robust EMI shielding
- IP67 immersion rating

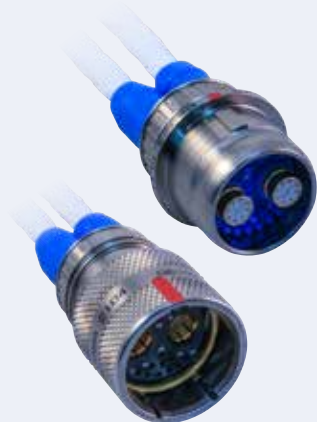
For More Information

Push-Pull Plug..... 882-001⁽¹⁾
 Push-Pull Receptacle..... 882-002⁽¹⁾
 Push-Pull Receptacle, PC Tail..... 882-005⁽¹⁾
 Plug, Threaded Coupling..... 882-003⁽¹⁾
 Receptacle, Threaded Coupling..... 882-006⁽¹⁾
 Recep, Threaded, PC Tail 882-004⁽¹⁾

(1) Contact Glenair for data sheet

For details see our Series 882 SuperFly catalog.

Series 816 Mil-Aero



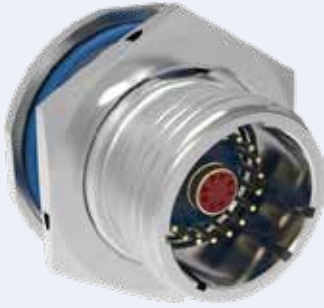
- Next-generation high performance ultraminiature aerospace connector
- Push-pull quick disconnect
- Higher density 20HD and 22HD contact arrangements
- High strength aluminum alloy plug barrel
- Snap in, rear release crimp contacts

For More Information

Plug, Inline 816-001
 Receptacle, Inline 816-002
 Receptacle, Front Panel Mount 816-003
 Receptacle, Rear Panel Mount 816-004
 Plug, Rear Panel Mount, PC Tails..... 816-005
 Receptacle, Jam-Nut Mount, with PC Tails..... 816-006
 Plug, Lanyard Release 816-007
 Receptacle, Lanyard Release 816-008

Glenair recommends the use of special Series 806 saddle bar backshells such as 620VS090 and 443-042 for proper strain relief. See Series 806 catalog.

Series 806 Mil-Aero



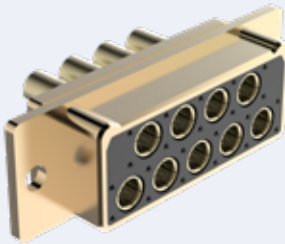
- Next-generation high performance ultraminiature aerospace connector
- Reduced pitch triple-start modified anti-decoupling stub ACME thread
- Higher density 20HD and 22HD contact arrangements
- High strength aluminum alloy plug barrel
- Snap in, rear release crimp contacts
- Up to 8 El Ochito contacts

For More Information

Plug, Free-Hanging.....	806-012
Receptacle, Wall Mount.....	806-013
Receptacle, Free-Hanging.....	806-019
Receptacle, Jam-Nut Mount.....	806-020
Receptacle, Wall Mount.....	806-022
Receptacle, Jam-Nut Mount, with PC Tails.....	806-039
Receptacle, Wall Mount with PC Tails.....	806-040

Glenair recommends the use of saddle bar backshells such as 620VS090 and 443-042 proper strain relief. See Series 806 catalog.

Series 792 Ultraminiature Rectangular



- Next-generation rear release rectangular
- 1 – 9 El Ochito[®] contacts
- Dual lobe shell polarization
- Scoop-proof interface
- Straight and right angle PC tail
- Environmentally sealed
- EMI protected
- Guide Pins for blind mate

For More Information

Plugs, Free-Hanging.....	792-001 ⁽¹⁾
Receptacles, Free-Hanging.....	792-002 ⁽¹⁾
Plugs, Panel Mount.....	792-003 ⁽¹⁾
Receptacles, Panel Mount.....	792-004 ⁽¹⁾
Plugs, Straight PC Tails.....	792-005 ⁽¹⁾
Receptacles, Straight PC Tails.....	792-006 ⁽¹⁾
Plug, Straight PC Tails, Panel Mt. ...	792-007 ⁽¹⁾
Recep, Straight PC Tails, Panel Mt..	792-008 ⁽¹⁾
Plugs, 90° PC Tails.....	792-009 ⁽¹⁾
Receptacles, 90° PC Tails.....	792-010 ⁽¹⁾
Plugs, 90° PC Tails, Panel Mt.....	792-011 ⁽¹⁾
Recep, 90° PC Tails, Panel Mt.....	792-012 ⁽¹⁾

(1) Contact Glenair for data sheet.

Series 28 HiPer-D[®]



- Standard M24308 interface dimensions
- Rugged machined 6061 aluminum shell
- Grounded metal insert
- 1 – 5 El Ochito[®] contacts
- Straight PC tail
- EMI protected

For More Information

Plugs, Free-Hanging.....	280-082 ⁽¹⁾
Receptacles, Free-Hanging.....	280-083 ⁽¹⁾
Plugs, Straight PC Tails.....	280-090 ⁽²⁾
Receptacles, Straight PC Tails.....	280-091 ⁽²⁾

(1) Series 28 HiPer-D Catalog
(2) Contact Glenair for data sheet

El Ochito® Circular Backshell Selection Guide

Backshells listed here are specially designed to fit over size 8 data contacts and their grommet followers and accommodate the appropriate bend radius for the cables they are used with.

Adapter Code H
This accessory fits these connectors: MIL-DTL-38999 Series III and Series IV

Adapter Code V
This accessory fits Glenair Series 806 and 816 Mil-Aero Connectors



320*030 Environmental Extended Adapter

Self-locking. Extra clearance for #8 contacts. 320*030 extender backshell fits Glenair's MIL-DTL-38999 Series III and IV, and Series 806 and 816 Mil-Aero connectors. Extender provides extra clearance for #8 coax, twinax, quadrax and El Ochito octaxial contacts with sealing boots. Back end of extender is identical to connector back end. Attach cable clamp or backshell to extender. Should only be used in conjunction with a saddle bar strain relief. Anti-decoupling mechanism provides audible detented coupling and prevents backoff under high vibration. Aluminum or stainless steel with silicone O-ring. Straight, 45°, and 90°.



620*S090 Strain Relief Cable Clamp Backshell

Self-locking. Full radius saddles. Extra clearance for #8 sealing boots. Extended frame saddle clamp fits MIL-DTL-38999 Series III and IV, and Series 806 and 816 Mil-Aero. Clamp has enlarged inside diameter and longer frame to provide clearance for size 8 coax/twinax/quadrax/octaxial contacts with sealing boots. Extra clearance helps prevent contact splay and damage. Full radius saddle bars have self-locking SST clinch nuts. Anti-decoupling mechanism provides audible detented coupling and prevents backoff under high vibration.



440*S232 EMI/RFI Cable Clamp Backshell with Banding Platform

Strain relief cable clamp adapter. Self-locking. Threaded coupling adapter with anti-decoupling ratchet prevents loosening under vibration. Accommodates MIL-DTL-38999 Series III and IV, and Series 806 and 816 Mil-Aero connectors with size #8 contacts and cable sealing boots. Aluminum or stainless steel.



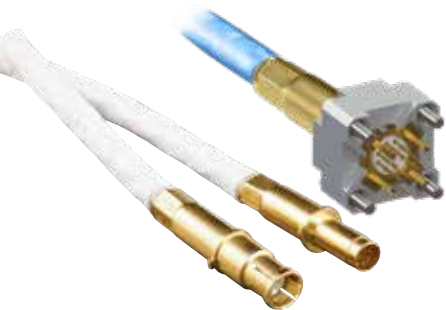
443*042 EMI/RFI Cable Clamp and Band-in-a-Can Banding Platform

Prevents splaying of size 8 twinax, quadrax and El Ochito octaxial contacts. Environmental. "Band-in-a-Can" shield termination. Saddle clamp. 443*042 banding backshell fits Glenair MIL-DTL-38999 Series III and IV, and Series 806 and 816 Mil-Aero connectors. Backshell has increased clearance for sealing boots used with size 8 contacts. 45° and 90° profiles have large radius elbows for minimized bending of data cables. Anti-decoupling mechanism provides audible detented coupling and prevents backoff under high vibration. Terminate cable braid shield with band strap (optional). Environmentally sealed with O-rings. Aluminum or stainless steel. Saddle clamp hardware is passivated SST. Silicone O-rings and grommet. Aluminum version has thermoplastic detent spring, stainless steel version has stainless steel detent spring.

Rugged High-Speed Interconnect Solutions

Electrical, Optical, and Hybrid Solutions for Mission-Critical Aerospace and Defense Applications

EL OCHITO® HIGH-SPEED OCTAXIAL CONTACTS AND CONNECTOR PACKAGING



El Ochito® high-speed octaxial contacts



SuperFly nano miniature with El Ochito®



Series 792 micro miniature with El Ochito®



Series 806 Mil-Aero micro miniature with El Ochito®

EL OCHITO® PACKAGING (continued)



Series 23 SuperNine® with El Ochito®

SIGNATURE HIGH-SPEED CONNECTOR SOLUTIONS



Series 23 SuperNine® with SpeedMaster™ 10G high-speed contacts



OctoByte™ industrial-strength Ethernet connectors

SIGNATURE HIGH-SPEED CONNECTOR SOLUTIONS (continued)



SuperSeal™ RJ45 Ethernet and USB ruggedized field connectors



Micro-D form-factor connector with VersaLink™ differential Twinax *plus* VersaLink™ Bridge



High-Speed Micro-D high-density SWaP solution

GLENAIR SIGNATURE BUTT-JOINT FIBER OPTIC INTERCONNECT SOLUTIONS



Rugged MIL-DTL-38999 type fiber optic



Glenair High Density (GHD) rugged fiber optic



Glenair Front Release (GFR) rugged fiber optic

SIGNATURE FIBER OPTIC SOLUTIONS (continued)



Rugged MT Ferrule solutions for 38999 and Series 791

RUGGED HIGH-SPEED ELECTRICAL-OPTICAL MEDIA CONVERTERS



Copper-to-fiber media converters for video applications



Copper-to-fiber media converters for Ethernet applications

RUGGED PCB-MOUNT TRANSCEIVERS FOR ETHERNET, HIGH-SPEED VIDEO, AND STORAGE



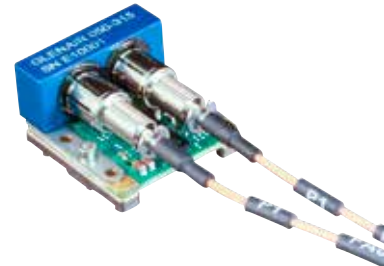
EMI shielded and radiation-tolerant transceivers



Dual transceivers, quad transmitters, quad receivers

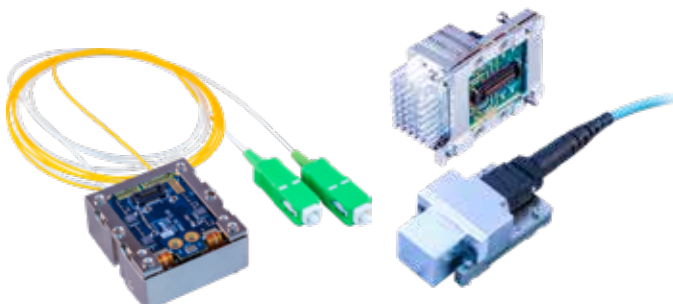


Bi-directional transceivers



Small form-factor, high-vibration high-temperature tolerant

RF-OVER FIBER AND HIGH-DATA-RATE PARALLEL OPTICAL TRANSCEIVERS



RF-over-fiber low-noise PCB-mount transceiver

Parallel optical 40 Gb/s PCB-mount transceivers

SIZE #8 PHOTONIC TRANSMITTER AND RECEIVER CONTACTS FOR HIGH-SPEED DATA



Opto-electronic receptacle connectors populated with Size #8 Photonic transmitter and receiver contacts



**MISSION-CRITICAL
INTERCONNECT
SOLUTIONS**

Glenair, Inc.

1211 Air Way • Glendale, California • 91201-2497
Telephone: 818-247-6000 • Fax: 818-500-9912 • sales@glenair.com
www.glenair.com

Glenair East

20 Sterling Drive
Wallingford, CT
06492

Telephone:
203-741-1115
Facsimile:
203-741-0053
sales@glenair.com

Glenair UK Ltd

40 Lower Oakham Way
Oakham Business Park
Mansfield, Notts
NG18 5BY England

Telephone:
+44-1623-638100
Facsimile:
+44-1623-638111
sales@glenair.co.uk

Glenair Microway Systems

7000 North Lawndale Avenue
Lincolnwood, IL
60712

Telephone:
847-679-8833
Facsimile:
847-679-8849

Glenair Nordic AB

Gustav III:s Boulevard 42
SE-169 27 Solna
Sweden

Telephone:
+46-8-50550000
sales@glenair.se

Glenair GmbH

Schaberweg 28
61348 Bad Homburg
Germany

Telephone:
06172 / 68 16 0
Facsimile:
06172 / 68 16 90
info@glenair.de

Glenair Iberica

C/ La Vega, 16
45612 Velada
Spain

Telephone:
+34-925-89-29-88
Facsimile:
+34-925-89-29-87
sales@glenair.es

Glenair Italia S.p.A.

Via Del Lavoro, 7
40057 Quarto Inferiore –
Granarolo dell'Emilia
Bologna, Italy

Telephone:
+39-051-782811
Facsimile:
+39-051-782259
info@glenair.it

Glenair France SARL

7, Avenue Parmentier
Immeuble Central Parc #2
31200 Toulouse
France

Telephone:
+33-5-34-40-97-40
Facsimile:
+33-5-61-47-86-10
sales@glenair.fr

Glenair Korea

6-21Tapsil-ro 58beon-gil
Giheung-gu, Yongin-si
Gyeonggi-do
Republic of Korea

Telephone:
+82-07-5067-2437
Facsimile:
+82-504-375-4549
sales@glenair.kr

Glenair Japan

40F, Nagoya Lucent Tower,
6-1, Ushijima-cho,
Nishi-ku, Nagoya, 451-6040
Japan

Telephone:
+81-52-569-2521
Facsimile:
+81-52-569-2523
sales@glenair.jp