

**SERIES 928**

# **HMI LIGHTING CONNECTORS**

**QUARTER TURN BAYONET PLUGS AND RECEPTACLES FOR BALLAST AND HEAD CONNECTIONS**

JULY 2015

SERIES 928  
CONNECTORS FOR  
HMI LIGHTING



*SERIES 928*

# Quarter-Turn Bayonet Connectors

Interconnects for head-to-ballast  
HMI lighting

**T**heatrical lighting demands reliable, built-to-last connectors and cables. Glenair Series 928 quarter-turn bayonet connectors meet demanding European "VG" standards for performance, durability and ruggedness. Available in all standard lighting industry configurations, these connectors feature electrocoated aluminum housings, neoprene inserts and machined copper alloy contacts.





Glenair, Inc.  
1211 Air Way  
Glendale, CA  
91201-2497  
818-247-6000  
sales@glenair.com  
www.glenair.com

SERIES 928 • QUARTER-TURN • BAYONET  
**Connectors for HMI Lighting**



Table of Contents

	928-001 Line Receptacle.....	4
	928-002 Panel Receptacle, Front Mount.....	6
	928-003 Panel Receptacle, Rear Mount.....	8
	928-004 Line Plug, Heavy Duty Coupling Ring.....	10
	928-005 Line Plug, RadGrip™ Rubber Coupling Ring.....	12
	928-006 Panel Plug.....	14



# Series 928 Connectors



Available in Black, Yellow, Red, Blue,  
Light Green, Orange and Grey.

## RADGRIP™ COUPLING RINGS

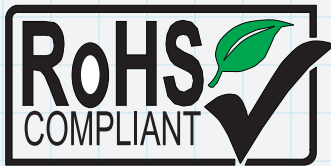
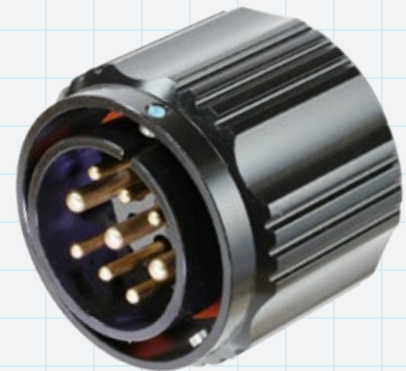
*For better grip, improved durability*

Glenair Series 928 plugs with RadGrip™ rubber coupling rings feature wide, easy-to-grip castellations as well as a raised thumb tab. Built for maximum durability and mechanical protection, RadGrip™ is the perfect solution for advanced protection against shock and other forms of mechanical damage. In addition, RadGrip™ facilitates rapid mating and demating of connectors. The highly durable rubber compound may be specified in seven different colors for improved connector and cable identification.

## HEAVY DUTY COUPLING RINGS

*Extended length aluminum ring with oversized flutes for easy mating and damage resistance*

Glenair Series 928 plugs with heavy-duty aluminum coupling ring are electrocoated with scratch-resistant black polymer. These rings feature a lengthened profile with enlarged flutes for easy mates and de-mates.



## UL LISTED, RoHS COMPLIANT

*Series 928 connectors are part of Glenair's ITS power product family*



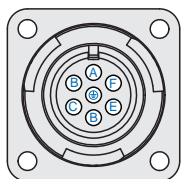
VG approved Series ITS quarter-turn bayonet connectors are available in hundreds of arrangements and dozens of styles. Used worldwide for urban rail systems, construction equipment, and military equipment, the ITS connector is recognized as a "go to" solution wherever there is a need for rugged power interconnects. Glenair's ITS connectors are recognized under the Component Recognition Program of UL, file number E328968.



# SERIES 928 • QUARTER-TURN • BAYONET Connectors for HMI Lighting

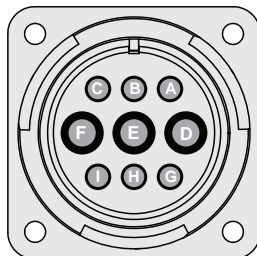


## Connector Arrangements



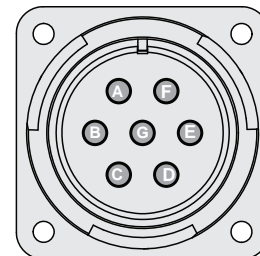
### 14S-07

Interchangeable, intermateable with Veam 14SA7  
(7) size #16 contacts  
This connector is used on:  
Arri 200W  
Mole-Richardson 200W and 800W  
K5600 Jokerbug 200W, 400W, and 800W.



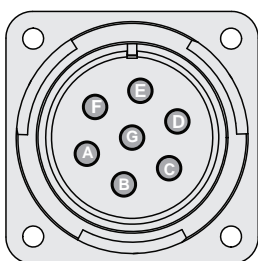
### 24-11

(3) size #8 contacts, (6) #12 contacts  
This connector is used on:  
DeSisti 4KW (blue)



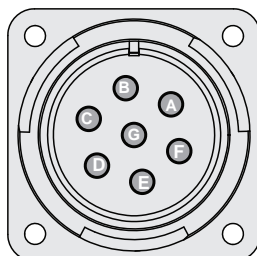
### 24-2

(7) size #12 contacts  
This connector is used on:  
Arri 2.5 KW, 4KW  
DeSisti 2.5KW (red)  
Cinemills 2.5KW, 4KW  
Filmgear 2.5KW, 4KW  
Mole-Richardson 2.5KW, 4KW



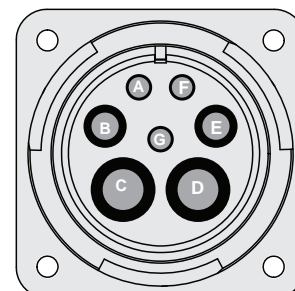
### 24-2W

(7) size #12 contacts  
This connector is used on:  
Arri 575W, 1200W, 1800W  
DeSisti 1200W (yellow)  
Cinemills 575W, 1200W, 1800W  
Filmgear 575W, 1200W  
Mole-Richardson 1200W



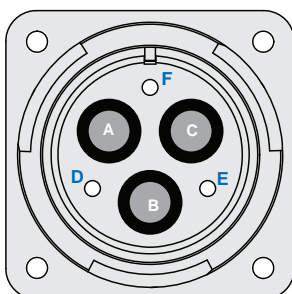
### 24-2Z

(7) size #12 contacts  
This connector is used on:  
DeSisti 575W (green)



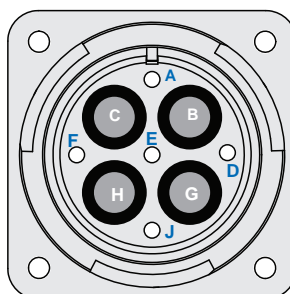
### 28-10

(3) #12 contacts, (2) #8 contacts, (2) #4 contacts  
This connector is used on:  
Cinemills 12KW, 18KW, 24KW  
Filmgear 24KW  
Mole-Richardson 12KW, 18KW, 24KW



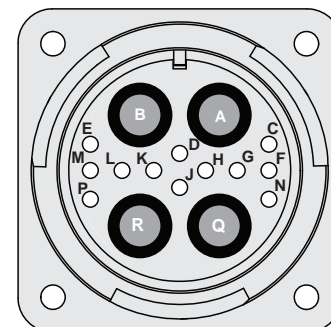
### 28-22

(3) #16 contacts, (3) #4 contacts  
This connector is used on:  
Arri 6KW, 9KW  
Filmgear 6KW



### 28-09

(5) #16 contacts, (4) #4 contacts  
This connector is used on:  
Arri 12KW, 18KW  
Filmgear 12KW, 18KW



### 32-68

(12) #16 contacts, (4) #4 contacts  
This connector is used on:  
DeSisti 6KW (white), 12KW (pink), 18KW (orange)  
Mole-Richardson 6KW

*Mating face of socket connector. Pin connector identification is reversed.*

# SERIES 928 • QUARTER-TURN • BAYONET Connectors for HMI Lighting



## 928-001 Line Receptacle



### Features

- ¼ turn bayonet lock for secure attachment
- Intermateable, interchangeable with "VEAM" type connectors
- Machined contacts
- Durable polymer electrocoat finish
- UL #E328968 recognized
- IP67 ingress protection

### Specifications

- Operating temperature: -55°C. to +125°C.
- Suggested maximum operating voltage: 500 Vac
- Current rating: size #4 contact 80 A, size #8 46 A, size #12 23 A, size #16 13 A
- Meets mechanical, electrical and environmental requirements of MIL-DTL-5015 and VG95234

### Connector Construction

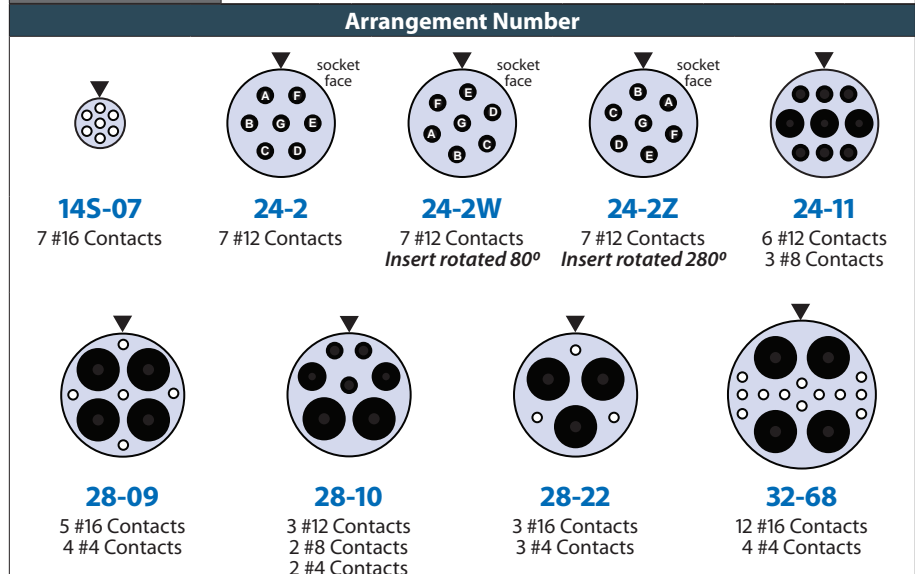
- Shell: aluminum with black polymer electrocoat
- Contacts: copper alloy, silver or gold plating
- Insert: neoprene

### Cable Grip Construction

- Adapter: aluminum with black polymer electrocoat
- Style 1 EZ Clamp: aluminum with black polymer electrocoat, neoprene sealing gland
- Style 2 Cordgrip: 6/6 nylon, UL 94V-0, with TPE sealing gland

928-001 female line connectors are compatible with standard "VEAM" type quarter-turn bayonet connectors used on HMI lighting ballasts and heads. These UL-recognized connectors are available with two cordgrip options or as connector only for use with customer-supplied adapters. Aluminum shell, neoprene inserts, machined copper alloy contacts with gold or silver plating. 125° C. temperature rating, 500Vac, 13 A to 80 A current rating depending on contact size. Crimp or solder termination.

How To Order							
	928-001-	24-2	P	S	1	A	1
Product	928-001 = Line Receptacle						
Arrangement Number	14S-07 24-2 24-2W 24-2Z 24-11 28-09 28-10 28-22 32-68						
Contact Type	P = Pin contacts (male) S = Socket contacts (female)						
Contact Termination Style	S = Solder (installed) C = Crimp (uninstalled)						
Contact Finish	1 = Silver (standard) 2 = Gold (optional)						
Shell Finish	A = Black polymer electrocoat						
Cable Grip	Omit for connector with no cable grip 1 = EZ Clamp "bullet" style machined aluminum cordgrip 2 = Nylon cordgrip with PG cable gland, liquid tight						

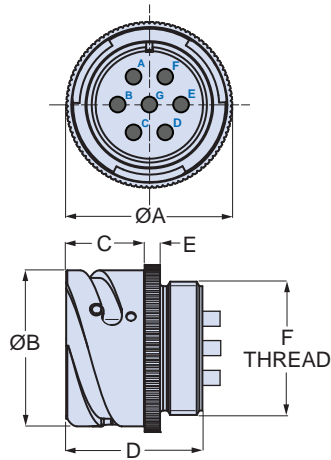


# SERIES 928 • QUARTER-TURN • BAYONET Connectors for HMI Lighting



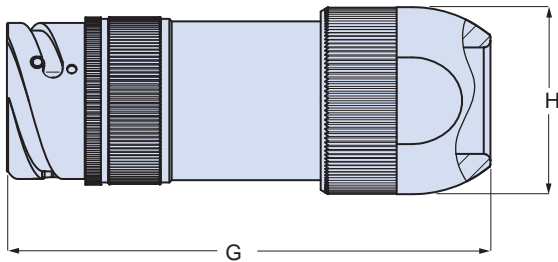
## 928-001 Line Receptacle

### CONNECTOR DIMENSIONS



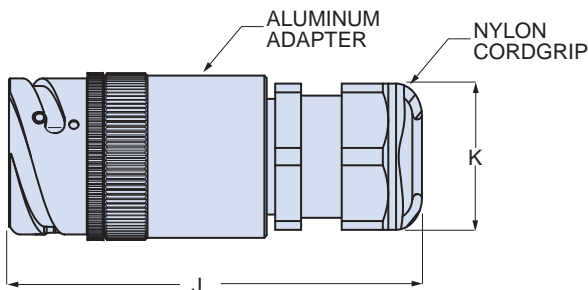
Arrangement No.	øA Max.		øB Max.		C Max.		D		E		F Thread
	In.	mm.	In.	mm.	In.	mm.	In.	mm.	In.	mm.	
14S-07	1.13	28.8	.96	24.5	.58	14.7	.98	24.9	.14	3.5	.7500-20 UNEF
24-2	1.73	44.0	1.61	40.9	.82	20.8	1.41	35.8	.17	4.2	1.375-18 UNEF
24-2W	1.73	44.0	1.61	40.9	.82	20.8	1.41	35.8	.17	4.2	1.375-18 UNEF
24-2Z	1.73	44.0	1.61	40.9	.82	20.8	1.41	35.8	.17	4.2	1.375-18 UNEF
24-11	1.73	44.0	1.61	40.9	.82	20.8	1.41	35.8	.17	4.2	1.375-18 UNEF
28-09	1.91	48.5	1.84	46.7	.82	20.9	1.41	35.8	.17	4.2	1.625-18 UNEF
28-10	1.91	48.5	1.84	46.7	.82	20.9	1.41	35.8	.17	4.2	1.625-18 UNEF
28-22	1.91	48.5	1.84	46.7	.82	20.9	1.41	35.8	.17	4.2	1.625-18 UNEF
32-68	2.20	56.0	2.10	53.4	.89	22.5	1.47	37.4	.17	4.2	1.875-16 UN

### STYLE 1 EZ CLAMP DIMENSIONS



Arrangement No.	G Max.		H Max.		Cable Dia. Range			
	In.	mm.	In.	mm.	In.		mm.	
14S-07	3.82	97.0	1.02	25.8	.23	.44	5.8	11.1
24-2	4.59	116.6	1.69	43.0	.61	.94	15.5	23.8
24-2W	4.59	116.6	1.69	43.0	.61	.94	15.5	23.8
24-2Z	4.59	116.6	1.69	43.0	.61	.94	15.5	23.8
24-11	4.59	116.6	1.69	43.0	.61	.94	15.5	23.8
28-09	4.78	121.4	1.69	43.0	.61	.94	15.5	23.8
28-10	4.78	121.4	1.69	43.0	.61	.94	15.5	23.8
28-22	4.78	121.4	1.69	43.0	.61	.94	15.5	23.8
32-68	5.09	129.2	2.01	51.0	.92	1.25	23.4	31.8

### STYLE 2 NYLON CORDGRIP DIMENSIONS



Arrangement No.	J Max.		K Max.		Cable Dia. Range			
	In.	mm.	In.	mm.	In.		mm.	
14S-07	3.28	83.4	1.04	26.5	.51	.71	13.0	18.0
24-2	4.03	102.4	1.16	29.5	.71	.98	18.0	25.0
24-2W	4.03	102.4	1.16	29.5	.71	.98	18.0	25.0
24-2Z	4.03	102.4	1.16	29.5	.71	.98	18.0	25.0
24-11	4.03	102.4	1.16	29.5	.79	1.26	20.0	32.0
28-09	4.67	118.5	1.82	46.3	.79	1.26	20.0	32.0
28-10	4.67	118.5	1.82	46.3	.79	1.26	20.0	32.0
28-22	4.67	118.5	1.82	46.3	.79	1.26	20.0	32.0
32-68	4.96	126.0	1.82	46.3	.79	1.26	20.0	32.0

# SERIES 928 • QUARTER-TURN • BAYONET Connectors for HMI Lighting



## 928-002 Panel Receptacle, Front Mount



### Features

- ¼ turn bayonet lock for secure attachment
- Intermateable, interchangeable with "VEAM" type connectors
- Machined contacts
- Durable polymer electrocoat finish
- UL #E328968 recognized
- IP67 ingress protection

### Specifications

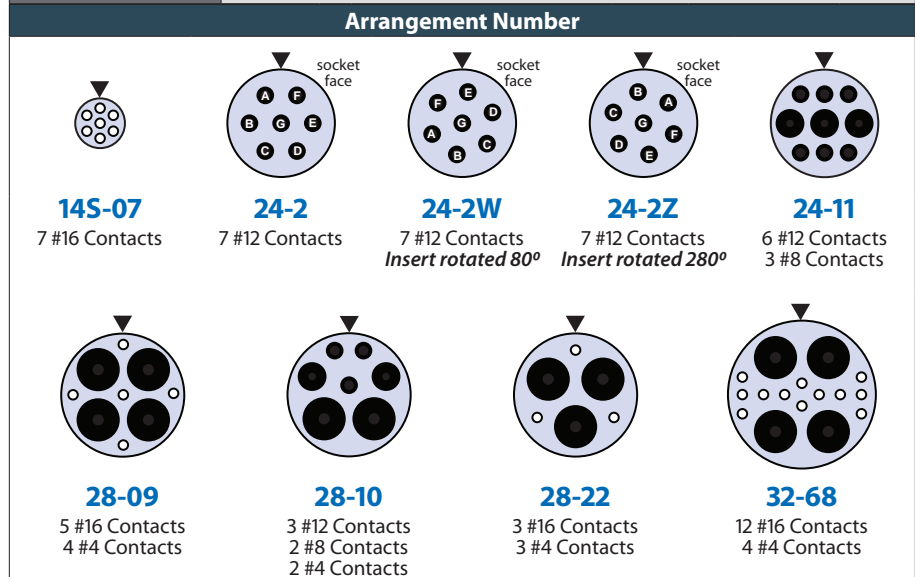
- Operating temperature: -55°C. to +125°C.
- Suggested maximum operating voltage: 500 Vac
- Current rating: size #4 contact 80 A, size #8 46 A, size #12 23 A, size #16 13 A
- Meets mechanical, electrical and environmental requirements of MIL-DTL-5015 and VG95234

### Connector Construction

- Shell: aluminum with black polymer electrocoat
- Contacts: copper alloy, silver or gold plating
- Insert: neoprene

928-002 female panel connectors are compatible with standard "VEAM" type quarter-turn bayonet connectors used on HMI lighting ballasts and heads. These UL-recognized connectors fit standard cutouts. Connector mounting flange installs on the outside (front) of the panel. Aluminum shell, neoprene inserts, machined copper alloy contacts with gold or silver plating. 125° C. temperature rating, 500Vac, 13 A to 80 A current rating depending on contact size. Crimp or solder termination.

How To Order						
	928-002-	28-22	P	S	1	A
Product	928-002 = Panel Receptacle, front mounting					
Arrangement Number	14S-07 24-2 24-2W 24-2Z 24-11 28-09 28-10 28-22 32-68					
Contact Type	P = Pin contacts (male) S = Socket contacts (female)					
Contact Termination Style	S = Solder (installed) C = Crimp (uninstalled)					
Contact Finish	1 = Silver (standard) 2 = Gold (optional)					
Shell Finish	A = Black polymer electrocoat					



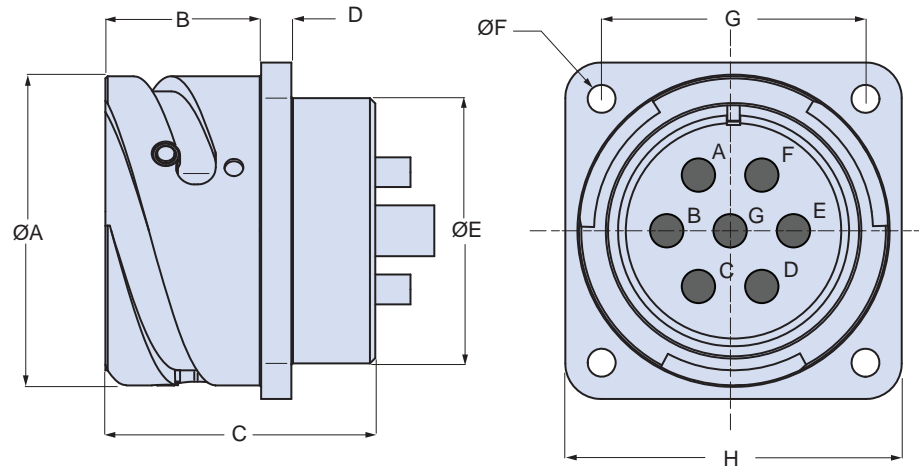


# SERIES 928 • QUARTER-TURN • BAYONET Connectors for HMI Lighting



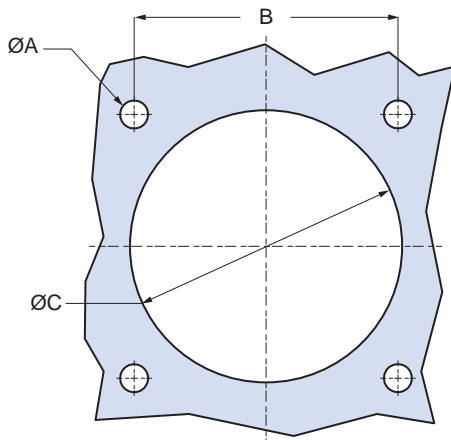
## 928-002 Panel Receptacle, Front Mount

### DIMENSIONS



Arrangement No.	ØA Max.		B Max.		C		D		ØE		ØF		G		H Max.	
	In.	mm.	In.	mm.	In.	mm.	In.	mm.	In.	mm.	In.	mm.	In.	mm.	In.	mm.
14S-07	.99	24.5	.57	14.4	.98	24.8	.14	3.5	.76	19.2	.13	3.3	.91	23.1	1.18	30.0
24-2	1.61	40.9	.81	20.8	1.41	35.7	.17	4.2	1.38	35.3	.15	3.8	1.38	35.0	1.75	44.5
24-2W	1.61	40.9	.81	20.8	1.41	35.7	.17	4.2	1.38	35.3	.15	3.8	1.38	35.0	1.75	44.5
24-2Z	1.61	40.9	.81	20.8	1.41	35.7	.17	4.2	1.38	35.3	.15	3.8	1.38	35.0	1.75	44.5
24-11	1.61	40.9	.81	20.8	1.41	35.7	.17	4.2	1.38	35.3	.15	3.8	1.38	35.0	1.75	44.5
28-09	1.84	46.7	.81	20.9	1.41	35.7	.17	4.2	1.62	41.4	.15	3.8	1.57	39.8	2.00	50.8
28-10	1.84	46.7	.81	20.9	1.41	35.7	.17	4.2	1.62	41.4	.15	3.8	1.57	39.8	2.00	50.8
28-22	1.84	46.7	.81	20.9	1.41	35.7	.17	4.2	1.62	41.4	.15	3.8	1.57	39.8	2.00	50.8
32-68	2.10	53.4	.88	22.5	1.47	37.3	.17	4.2	1.88	47.8	.17	4.4	1.76	44.6	2.24	56.9

### PANEL CUTOUT



Arrangement No.	ØA		B		ØC	
	In.	mm.	In.	mm.	In.	mm.
14S-07	.13	3.4	.91	23.1	.79	20.0
24-2	.15	3.9	1.38	35.0	1.42	36.0
24-2W	.15	3.9	1.38	35.0	1.42	36.0
24-2Z	.15	3.9	1.38	35.0	1.42	36.0
24-11	.15	3.9	1.38	35.0	1.42	36.0
28-09	.15	3.9	1.57	39.8	1.65	42.0
28-10	.15	3.9	1.57	39.8	1.65	42.0
28-22	.15	3.9	1.57	39.8	1.65	42.0
32-68	.18	4.5	1.76	44.6	1.91	48.5

# SERIES 928 • QUARTER-TURN • BAYONET Connectors for HMI Lighting



## 928-003 Panel Receptacle, Rear Mount



### Features

- ¼ turn bayonet lock for secure attachment
- Intermateable, interchangeable with "VEAM" type connectors
- Machined contacts
- Durable polymer electrocoat finish
- UL #E328968 recognized
- IP67 ingress protection

### Specifications

- Operating temperature: -55°C. to +125°C.
- Suggested maximum operating voltage: 500 Vac
- Current rating: size #4 contact 80 A, size #8 46 A, size #12 23 A, size #16 13 A
- Meets mechanical, electrical and environmental requirements of MIL-DTL-5015 and VG95234

### Connector Construction

- Shell: aluminum with black polymer electrocoat
- Contacts: copper alloy, silver or gold plating
- Insert: neoprene

928-003 female panel connectors are compatible with standard "VEAM" type quarter-turn bayonet connectors used on HMI lighting ballasts and heads. These UL-recognized connectors fit standard cutouts. Connector mounting flange installs on the inside (rear) of the panel. Mounting holes have metric threads. Aluminum shell, neoprene inserts, machined copper alloy contacts with gold or silver plating. 125°C. temperature rating, 500Vac, 13 A to 80 A current rating depending on contact size. Crimp or solder termination.

How To Order						
	928-003-	28-22	P	S	1	A
Product	928-003 = Panel Receptacle, rear mounting					
Arrangement Number	14S-07 24-2 24-2W 24-2Z 24-11 28-09 28-10 28-22 32-68					
Contact Type	P = Pin contacts (male) S = Socket contacts (female)					
Contact Termination Style	S = Solder (installed) C = Crimp (uninstalled)					
Contact Finish	1 = Silver (standard) 2 = Gold (optional)					
Shell Finish	A = Black polymer electrocoat					

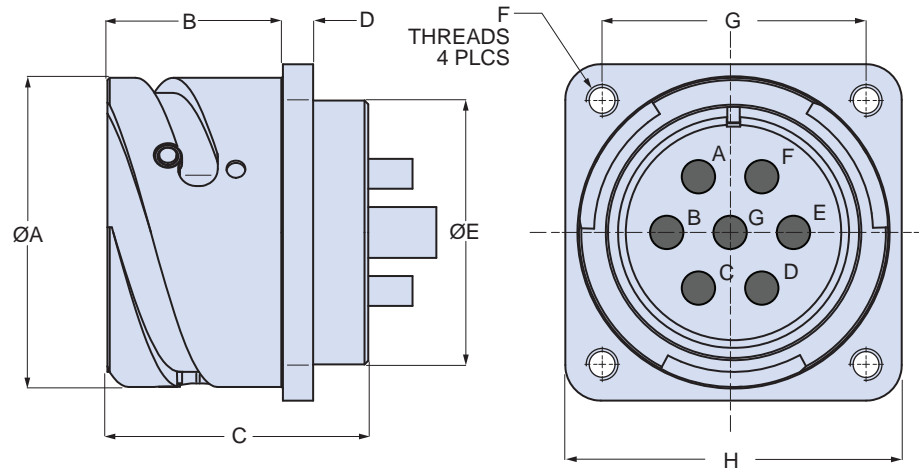
Arrangement Number				
<b>14S-07</b> 7 #16 Contacts	<b>24-2</b> 7 #12 Contacts	<b>24-2W</b> 7 #12 Contacts <i>Insert rotated 80°</i>	<b>24-2Z</b> 7 #12 Contacts <i>Insert rotated 280°</i>	<b>24-11</b> 6 #12 Contacts 3 #8 Contacts
<b>28-09</b> 5 #16 Contacts 4 #4 Contacts	<b>28-10</b> 3 #12 Contacts 2 #8 Contacts 2 #4 Contacts	<b>28-22</b> 3 #16 Contacts 3 #4 Contacts	<b>32-68</b> 12 #16 Contacts 4 #4 Contacts	

# SERIES 928 • QUARTER-TURN • BAYONET Connectors for HMI Lighting



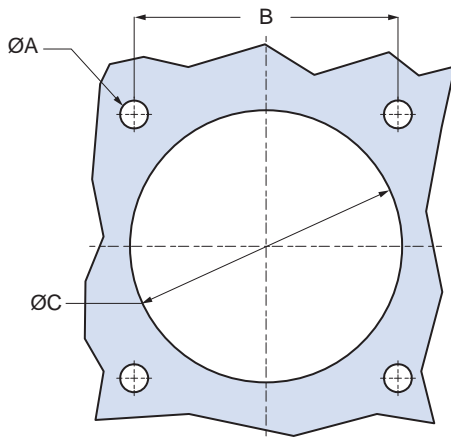
## 928-003 Panel Receptacle, Rear Mount

### DIMENSIONS



Arrangement No.	ØA Max.		B Max.		C		D		ØE		F	G		H Max.	
	In.	mm.	In.	mm.	In.	mm.	In.	mm.	In.	mm.		In.	mm.	In.	mm.
14S-07	.96	24.5	.74	18.7	.97	24.7	.13	3.5	.76	19.2	M4	.91	23.1	1.20	30.6
24-2	1.61	40.9	.92	23.4	1.36	34.5	.16	4.2	1.39	35.3	M4	1.38	35.0	1.76	44.7
24-2W	1.61	40.9	.92	23.4	1.36	34.5	.16	4.2	1.39	35.3	M4	1.38	35.0	1.76	44.7
24-2Z	1.61	40.9	.92	23.4	1.36	34.5	.16	4.2	1.39	35.3	M4	1.38	35.0	1.76	44.7
24-11	1.61	40.9	.92	23.4	1.36	34.5	.16	4.2	1.39	35.3	M4	1.38	35.0	1.76	44.7
28-09	1.84	46.7	.97	24.5	1.36	34.5	.16	4.2	1.63	41.4	M5	1.57	39.8	2.01	51.1
28-10	1.84	46.7	.97	24.5	1.36	34.5	.16	4.2	1.63	41.4	M5	1.57	39.8	2.01	51.1
28-22	1.84	46.7	.97	24.5	1.36	34.5	.16	4.2	1.63	41.4	M5	1.57	39.8	2.01	51.1
32-68	2.10	53.4	.96	24.4	1.33	33.8	.16	4.2	1.88	47.8	M5	1.76	44.6	2.25	57.2

### PANEL CUTOUT



Arrangement No.	ØA		B		ØC	
	In.	mm.	In.	mm.	In.	mm.
14S-07	.18	4.5	.91	23.1	.79	20.0
24-2	.18	4.5	1.38	35.0	1.65	41.8
24-2W	.18	4.5	1.38	35.0	1.65	41.8
24-2Z	.18	4.5	1.38	35.0	1.65	41.8
24-11	.18	4.5	1.38	35.0	1.65	41.8
28-09	.22	5.5	1.57	39.8	1.87	47.6
28-10	.22	5.5	1.57	39.8	1.87	47.6
28-22	.22	5.5	1.57	39.8	1.87	47.6
32-68	.22	5.5	1.76	44.6	2.14	54.3

SERIES 928 • QUARTER-TURN • BAYONET  
**Connectors for HMI Lighting**



**928-004 Line Plug with Extended Heavy Duty Coupling Ring**



**Features**

- Heavy duty coupling ring
- ¼ turn bayonet lock for secure attachment
- Intermateable, interchangeable with "VEAM" type connectors
- Machined contacts
- Durable polymer electrocoat finish
- UL #E328968 recognized
- IP67 ingress protection

**Specifications**

- Operating temperature: -55°C. to +125°C.
- Suggested maximum operating voltage: 500 Vac
- Current rating: size #4 contact 80 A, size #8 46 A, size #12 23 A, size #16 13 A
- Meets mechanical, electrical and environmental requirements of MIL-DTL-5015 and VG95234

**Connector Construction**

- Shell and coupling ring: aluminum with black polymer electrocoat
- Contacts: copper alloy, silver or gold plating
- Insert: neoprene

**Cable Grip Construction**

- Adapter: aluminum with black polymer electrocoat
- Style 1 EZ Clamp: aluminum with black polymer electrocoat, neoprene sealing gland
- Style 2 Cordgrip: 6/6 nylon, UL 94V-0, with TPE sealing gland

928-004 male line connectors are compatible with standard "VEAM" type quarter-turn bayonet connectors used on HMI lighting ballasts and heads. Heavy duty machined aluminum coupling ring is easy to turn and resists damage. Aluminum shell, neoprene inserts, machined copper alloy contacts with gold or silver plating. 125°C. temperature rating, 500Vac, 13 A to 80 A current rating depending on contact size. Crimp or solder termination.

How To Order							
	928-004-	24-2	P	C	2	A	
Product	928-004 = Line Plug						
Arrangement Number	14S-07 24-2 24-2W 24-2Z 24-11 28-09 28-10 28-22 32-68						
Contact Type	P = Pin contacts (male) S = Socket contacts (female)						
Contact Termination Style	S = Solder (installed) C = Crimp (uninstalled)						
Contact Finish	1 = Silver (standard) 2 = Gold (optional)						
Shell Finish	A = Black polymer electrocoat						
Cable Grip	Omit for connector with no cable grip 1 = EZ Clamp "bullet" style machined aluminum cordgrip 2 = Nylon cordgrip with PG cable gland, liquid tight						
Arrangement Number							
	14S-07 7 #16 Contacts	24-2 7 #12 Contacts	24-2W 7 #12 Contacts <i>Insert rotated 80°</i>	24-2Z 7 #12 Contacts <i>Insert rotated 280°</i>	24-11 6 #12 Contacts 3 #8 Contacts		
	28-09 5 #16 Contacts 4 #4 Contacts	28-10 3 #12 Contacts 2 #8 Contacts 2 #4 Contacts	28-22 3 #16 Contacts 3 #4 Contacts	32-68 12 #16 Contacts 4 #4 Contacts			



SERIES 928 • QUARTER-TURN • BAYONET  
**Connectors for HMI Lighting**



928-004 Line Plug with Extended Heavy Duty Coupling Ring



Connector Only

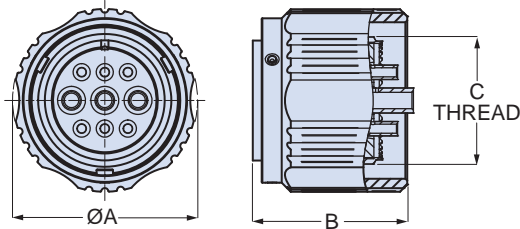


Connector with Nylon Cordgrip



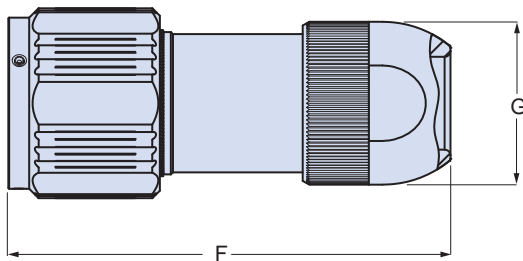
Connector with Aluminum EZ Clamp

**DIMENSIONS**



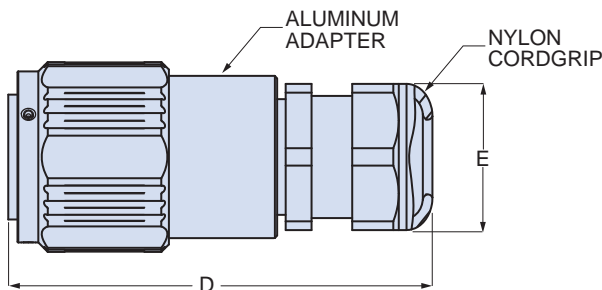
Arrangement No.	øA		øB		C Thread
	In.	mm.	In.	mm.	
14S-07	1.26	32.0	1.30	33.1	.7500-20 UNEF
24-2	1.98	50.2	1.67	42.5	1.375-18 UNEF
24-2W	1.98	50.2	1.67	42.5	1.375-18 UNEF
24-2Z	1.98	50.2	1.67	42.5	1.375-18 UNEF
24-11	1.98	50.2	1.67	42.5	1.375-18 UNEF
28-09	2.22	56.5	1.89	48.1	1.625-18 UNEF
28-10	2.22	56.5	1.89	48.1	1.625-18 UNEF
28-22	2.22	56.5	1.89	48.1	1.625-18 UNEF
32-68	2.52	64.0	2.01	51.2	1.875-16 UN

**STYLE 1 ALUMINUM EZ CLAMP DIMENSIONS**



Arrangement No.	F Max.		G Max.		Cable Dia. Range			
	In.	mm.	In.	mm.	In.		mm.	
					Min.	Max.	Min.	Max.
14S-07	3.81	96.8	1.02	25.8	.23	.44	5.8	11.1
24-2	4.59	116.5	1.69	43.0	.61	.94	15.5	23.8
24-2W	4.59	116.5	1.69	43.0	.61	.94	15.5	23.8
24-2Z	4.59	116.5	1.69	43.0	.61	.94	15.5	23.8
24-11	4.59	116.5	1.69	43.0	.61	.94	15.5	23.8
28-09	4.78	121.5	1.69	43.0	.61	.94	15.5	23.8
28-10	4.78	121.5	1.69	43.0	.61	.94	15.5	23.8
28-22	4.78	121.5	1.69	43.0	.61	.94	15.5	23.8
32-68	5.02	127.4	2.01	51.0	.92	1.25	23.4	31.8

**STYLE 2 NYLON CORDGRIP DIMENSIONS**

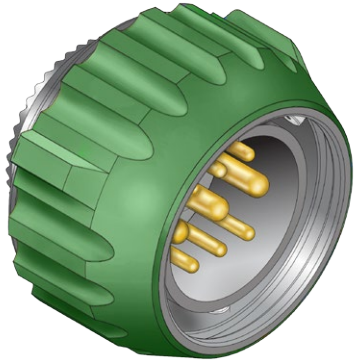


Arrangement No.	D Max.		E Max.		Cable Dia. Range			
	In.	mm.	In.	mm.	In.		mm.	
					Min.	Max.	Min.	Max.
14S-07	3.28	83.2	1.04	26.5	.51	.71	13.0	18.0
24-2	4.03	102.3	1.16	29.5	.71	.98	18.0	25.0
24-2W	4.03	102.3	1.16	29.5	.71	.98	18.0	25.0
24-2Z	4.03	102.3	1.16	29.5	.71	.98	18.0	25.0
24-11	4.03	102.3	1.16	29.5	.79	1.26	20.0	32.0
28-09	4.67	118.5	1.82	46.3	.79	1.26	20.0	32.0
28-10	4.67	118.5	1.82	46.3	.79	1.26	20.0	32.0
28-22	4.67	118.5	1.82	46.3	.79	1.26	20.0	32.0
32-68	4.96	126.1	1.82	46.3	.79	1.26	20.0	32.0

# SERIES 928 • QUARTER-TURN • BAYONET Connectors for HMI Lighting



## 928-005 Line Plug with Rubber Coupling Ring



### Features

- Rubber coupling ring
- ¼ turn bayonet lock for secure attachment
- Interchangeable, interchangeable with "VEAM" type connectors
- Machined contacts
- Durable polymer electrocoat finish
- UL #E328968 recognized
- IP67 ingress protection

### Specifications

- Operating temperature: -55°C. to +125°C.
- Suggested maximum operating voltage: 500 Vac
- Current rating: size #4 contact 80 A, size #8 46 A, size #12 23 A, size #16 13 A
- Meets mechanical, electrical and environmental requirements of MIL-DTL-5015 and VG95234

### Connector Construction

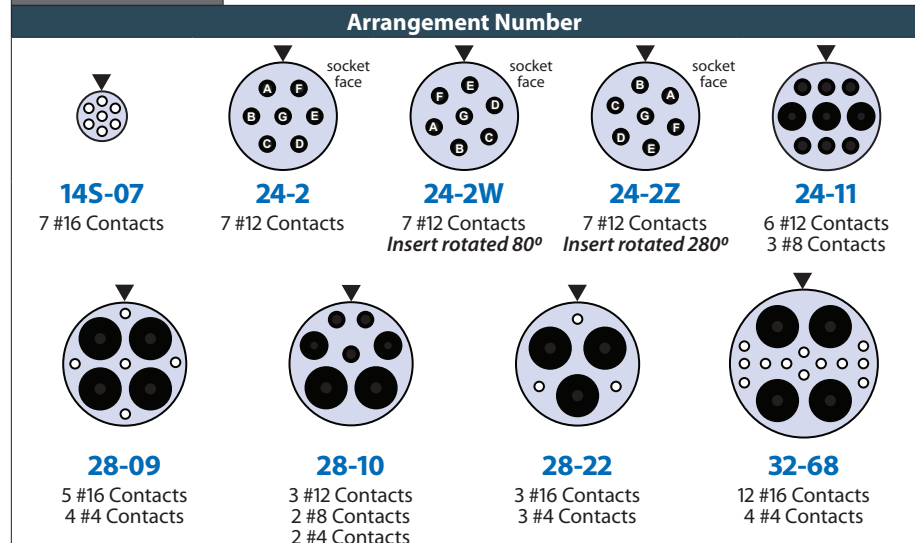
- Shell: aluminum with black polymer electrocoat
- Coupling ring: aluminum with black polymer electrocoat and neoprene overmolding
- Contacts: copper alloy, silver or gold plating
- Insert: neoprene

### Cable Grip Construction

- Adapter: aluminum with black polymer electrocoat
- Style 1 EZ Clamp: aluminum with black polymer electrocoat, neoprene sealing gland
- Style 2 Cordgrip: 6/6 nylon, UL 94V-0, with TPE sealing gland

928-005 male line connectors are compatible with standard "VEAM" type quarter-turn bayonet connectors used on HMI lighting ballasts and heads. Rubber covered coupling ring is easy to turn and is available in various colors. Aluminum shell, neoprene inserts, machined copper alloy contacts with gold or silver plating. 125° C. temperature rating, 500Vac, 13 A to 80 A current rating depending on contact size. Crimp or solder termination.

How To Order								
	928-005-	24-2	P	C	2	A	BK	1
Product	928-005 = Line Plug							
Arrangement Number	14S-07 24-2 24-2W 24-2Z 24-11 28-09 28-10 28-22 32-68							
Contact Type	P = Pin contacts (male) S = Socket contacts (female)							
Contact Termination Style	S = Solder (installed) C = Crimp (uninstalled)							
Contact Finish	1 = Silver (standard) 2 = Gold (optional)							
Shell Finish	A = Black polymer electrocoat							
Coupling Ring Color	BK = Black   RD = Red   YL = Yellow   BL = Blue OR = Orange   LG = Light Green   GY = Grey							
Cable Grip	Omit for connector with no cable grip 1 = EZ Clamp "bullet" style machined aluminum cordgrip 2 = Nylon cordgrip with PG cable gland, liquid tight							



SERIES 928 • QUARTER-TURN • BAYONET  
**Connectors for HMI Lighting**



928-005 Line Plug with Rubber Coupling Ring



Connector Only

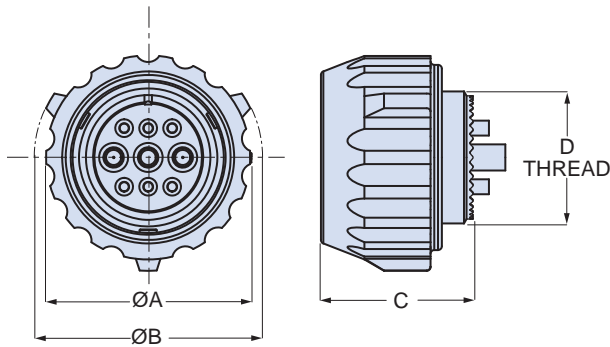


Connector with Nylon Cordgrip



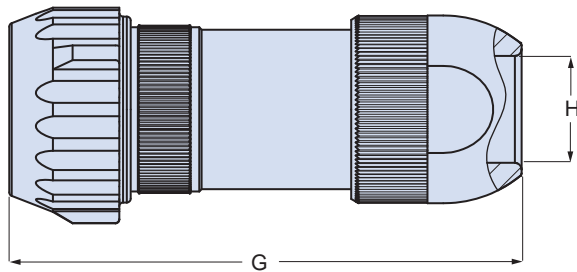
Connector with Aluminum EZ Clamp

**CONNECTOR DIMENSIONS**



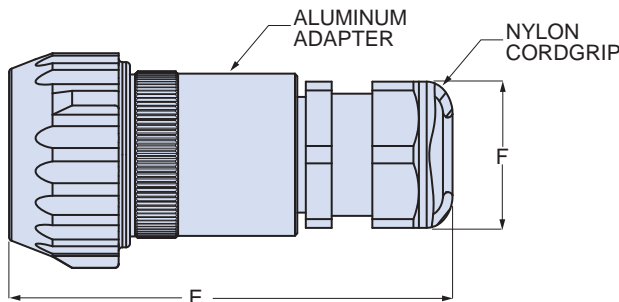
Arrangement No.	øA		øB		C		D
	In.	mm.	In.	mm.	In.	mm.	Thread
14S-07	1.38	35.0	1.65	42.0	.97	24.7	.7500-20 UNEF
24-2	2.13	54.0	2.36	60.0	1.41	35.9	1.375-18 UNEF
24-2W	2.13	54.0	2.36	60.0	1.41	35.9	1.375-18 UNEF
24-2Z	2.13	54.0	2.36	60.0	1.41	35.9	1.375-18 UNEF
24-11	2.13	54.0	2.36	60.0	1.41	35.9	1.375-18 UNEF
28-09	2.40	61.0	2.64	67.0	1.41	35.7	1.625-18 UNEF
28-10	2.40	61.0	2.64	67.0	1.41	35.7	1.625-18 UNEF
28-22	2.40	61.0	2.64	67.0	1.41	35.7	1.625-18 UNEF
32-68	2.68	68.0	2.99	76.0	1.48	37.5	1.875-16 UN

**STYLE 1 ALUMINUM EZ CLAMP DIMENSIONS**



Arrangement No.	G Max.		H Max.		Cable Dia. Range			
	In.	mm.	In.	mm.	In.		mm.	
					Min.	Max.	Min.	Max.
14S-07	3.81	96.8	1.02	25.8	.23	.44	5.8	11.1
24-2	4.59	116.6	1.69	43.0	.61	.94	15.5	23.8
24-2W	4.59	116.6	1.69	43.0	.61	.94	15.5	23.8
24-2Z	4.59	116.6	1.69	43.0	.61	.94	15.5	23.8
24-11	4.59	116.6	1.69	43.0	.61	.94	15.5	23.8
28-09	4.78	121.5	1.69	43.0	.61	.94	15.5	23.8
28-10	4.78	121.5	1.69	43.0	.61	.94	15.5	23.8
28-22	4.78	121.5	1.69	43.0	.61	.94	15.5	23.8
32-68	5.02	127.4	2.01	51.0	.92	1.25	23.4	31.8

**STYLE 2 NYLON CORDGRIP DIMENSIONS**



Arrangement No.	E Max.		F Max.		Cable Dia. Range			
	In.	mm.	In.	mm.	In.		mm.	
					Min.	Max.	Min.	Max.
14S-07	3.28	83.2	1.04	26.5	.51	.71	13.0	18.0
24-2	4.03	102.3	1.16	29.5	.71	.98	18.0	25.0
24-2W	4.03	102.3	1.16	29.5	.71	.98	18.0	25.0
24-2Z	4.03	102.3	1.16	29.5	.71	.98	18.0	25.0
24-11	4.03	102.3	1.16	29.5	.79	1.26	20.0	32.0
28-09	4.67	118.5	1.82	46.3	.79	1.26	20.0	32.0
28-10	4.67	118.5	1.82	46.3	.79	1.26	20.0	32.0
28-22	4.67	118.5	1.82	46.3	.79	1.26	20.0	32.0
32-68	4.96	126.1	1.82	46.3	.79	1.26	20.0	32.0

# SERIES 928 • QUARTER-TURN • BAYONET Connectors for HMI Lighting



## 928-006 Panel Plug, Front Mount



### Features

- ¼ turn bayonet lock for secure attachment
- Intermateable, interchangeable with "VEAM" type connectors
- Machined contacts
- Durable polymer electrocoat finish
- UL #E328968 recognized
- IP67 ingress protection

### Specifications

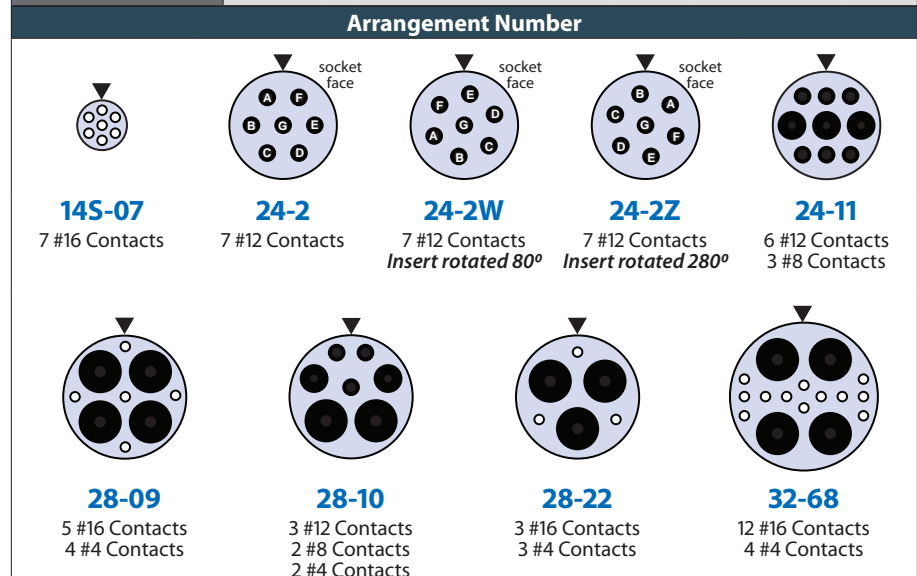
- Operating temperature: -55°C. to +125°C.
- Suggested maximum operating voltage: 500 Vac
- Current rating: size #4 contact 80 A, size #8 46 A, size #12 23 A, size #16 13 A
- Meets mechanical, electrical and environmental requirements of MIL-DTL-5015 and VG95234

### Connector Construction

- Shell and coupling ring: aluminum with black polymer electrocoat
- Contacts: copper alloy, silver or gold plating
- Insert: neoprene

928-006 male panel connectors are compatible with standard "VEAM" type quarter-turn bayonet connectors used on HMI lighting ballasts and heads. These UL-recognized connectors fit standard cutouts. Connector mounting flange installs on the outside (front) of the panel. Aluminum shell, neoprene inserts, machined copper alloy contacts with gold or silver plating. 125° C. temperature rating, 500Vac, 13 A to 80 A current rating depending on contact size. Crimp or solder termination.

How To Order						
	928-006-	24-2	P	S	1	A
Product	928-006 = Panel Plug, front mounting					
Arrangement Number	14S-07 24-2 24-2W 24-2Z 24-11 28-09 28-10 28-22 32-68					
Contact Type	P = Pin contacts (male) S = Socket contacts (female)					
Contact Termination Style	S = Solder (installed) C = Crimp (uninstalled)					
Contact Finish	1 = Silver (standard) 2 = Gold (optional)					
Shell Finish	A = Black polymer electrocoat					



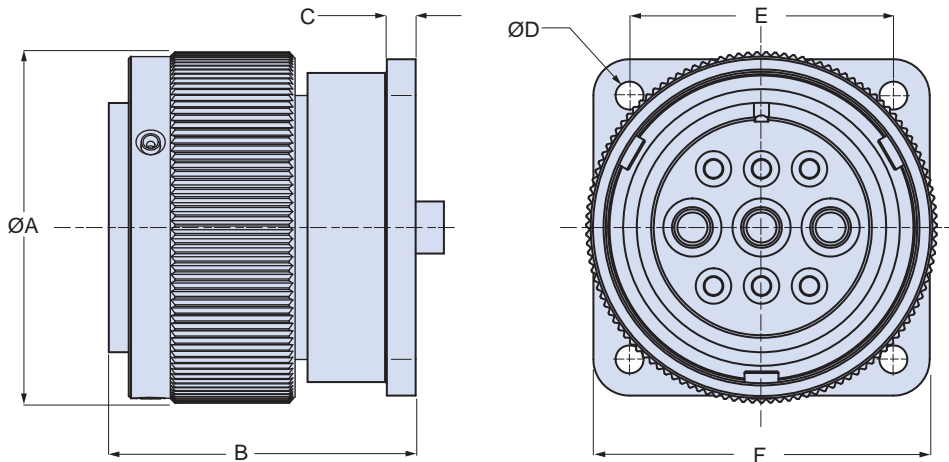


SERIES 928 • QUARTER-TURN • BAYONET  
**Connectors for HMI Lighting**



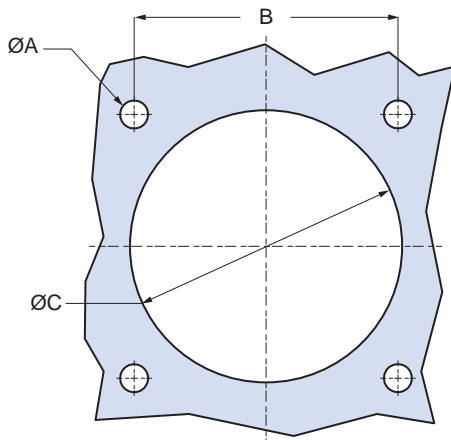
928-006 Panel Plug, Front Mount

**DIMENSIONS**



Arrangement No.	ØA Max.		B Max.		C		ØD		E		F Max.	
	In.	mm.	In.	mm.	In.	mm.	In.	mm.	In.	mm.	In.	mm.
14S-07	1.24	31.5	1.08	27.4	.13	3.3	.13	3.3	.97	24.6	1.28	32.5
24-2	1.83	46.5	1.60	40.6	.15	3.8	.15	3.8	1.37	34.8	1.75	44.5
24-2W	1.83	46.5	1.60	40.6	.15	3.8	.15	3.8	1.37	34.8	1.75	44.5
24-2Z	1.83	46.5	1.60	40.6	.15	3.8	.15	3.8	1.37	34.8	1.75	44.5
24-11	1.83	46.5	1.60	40.6	.15	3.8	.15	3.8	1.37	34.8	1.75	44.5
28-09	2.08	52.8	1.60	40.6	.16	4.1	.15	3.8	1.56	39.6	2.00	50.8
28-10	2.08	52.8	1.60	40.6	.16	4.1	.15	3.8	1.56	39.6	2.00	50.8
28-22	2.08	52.8	1.60	40.6	.16	4.1	.15	3.8	1.56	39.6	2.00	50.8
32-68	2.36	60.0	1.65	41.9	.16	4.1	.17	4.3	1.75	44.5	2.24	56.9

**PANEL CUTOUT**



Arrangement No.	ØA		B		ØC	
	In.	mm.	In.	mm.	In.	mm.
14S-07	.13	3.4	.97	24.6	.91	23.0
24-2	.15	3.9	1.37	34.8	1.42	36.0
24-2W	.15	3.9	1.37	34.8	1.42	36.0
24-2Z	.15	3.9	1.37	34.8	1.42	36.0
24-11	.15	3.9	1.37	34.8	1.42	36.0
28-09	.15	3.9	1.56	39.6	1.65	42.0
28-10	.15	3.9	1.56	39.6	1.65	42.0
28-22	.15	3.9	1.56	39.6	1.65	42.0
32-68	.18	4.5	1.75	44.5	1.90	48.5



# Company Overview



*Fast Turnaround on Quotes and Orders*

*Our high-availability business model puts customer service, support, and convenience first*



*Huge "Same-Day" Inventory*

*Providing reliable interconnect solutions from deep sea to outer space*



*Abundant Machining Capacity*



*Industrial and Rail Interconnects*



*Aerospace Interconnects*



*Plenty of Raw Materials*



*Oil and Gas, Subsea Interconnects*



# CENTRAL AIRPORT

At home in Southern California  
since 1956

*Complete vertical integration:  
every factory operation  
controlled by Glenair—from  
machining to molding, plating,  
testing and assembly*



High-Production  
Injection Molding



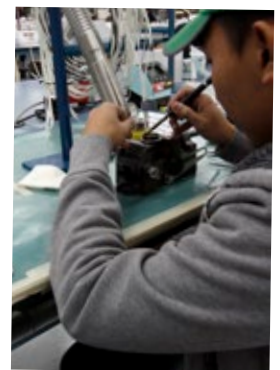
Cable Assembly  
Overmolding



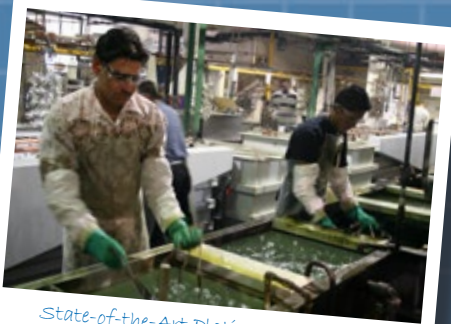
Clean Rooms for Filter Array and  
Printed Circuit Board Assembly



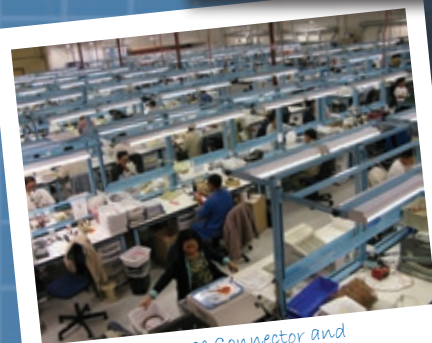
The Industry's Most Advanced  
EMI/RFI Braided Shielding Operation



NASA-STD-8739.3/  
ENQ-5213 Certified Soldering



State-of-the-Art Plating Capabilities



In-House Connector and  
Cable Harness Assembly



Test and Burn-In Labs for Both  
Electrical and Optical Systems



*Out of This World*

# INTERCONNECT SOLUTIONS

## Glenair, Inc.

1211 Air Way • Glendale, California • 91201-2497

Telephone: 818-247-6000 • Fax: 818-500-9912 • sales@glenair.com

[www.glenair.com](http://www.glenair.com)

---

### Glenair Power Products Group

860 N. Main Street Extension  
Wallingford, CT  
06492

Telephone:  
203-741-1115  
Facsimile:  
203-741-0053  
sales@glenair.com

---

### Glenair UK Ltd

40 Lower Oakham Way  
Oakham Business Park  
P.O. Box 37, Mansfield  
Notts, NG18 5BY England

Telephone:  
+44-1623-638100  
Facsimile:  
+44-1623-638111  
sales@glenair.co.uk

---

### Glenair Microway Systems

7000 North Lawndale Avenue  
Lincolnwood, IL  
60712

Telephone:  
847-679-8833  
Facsimile:  
847-679-8849

---

### Glenair Nordic AB

Gustav III : S Boulevard 46  
SE-169 27 Solna  
Sweden

Telephone:  
+46-8-50550000  
sales@glenair.se

---

### Glenair Electric GmbH

Schaberweg 28  
61348 Bad Homburg  
Germany

Telephone:  
06172 / 68 16 0  
Facsimile:  
06172 / 68 16 90  
info@glenair.de

---

### Glenair Iberica

C/ La Vega, 16  
45612 Velada  
Spain

Telephone:  
+34-925-89-29-88  
Facsimile:  
+34-925-89-29-87  
sales@glenair.es

---

### Glenair Italia S.p.A.

Via Del Lavoro, 7  
40057 Quarto Inferiore –  
Granarolo dell'Emilia  
Bologna, Italy

Telephone:  
+39-051-782811  
Facsimile:  
+39-051-782259  
info@glenair.it

---

### Glenair France SARL

7, Avenue Parmentier  
Immeuble Central Parc #2  
31200 Toulouse  
France

Telephone:  
+33-5-34-40-97-40  
Facsimile:  
+33-5-61-47-86-10  
sales@glenair.fr

---

### Glenair Korea

B-1304 Gunpo IT Valley  
148 Gosan-Ro, Gunpo-Si  
Kyunggi-Do, Korea  
435-733

Telephone:  
+82-31-8068-1090  
Facsimile:  
+82-31-8068-1092  
sales@glenair.kr

