

Heat Shrinkable Boots



Protect Your Cable Harness with semi-rigid heat-shrinkable boots. These easy-to-use boots provide excellent electrical, mechanical and environmental protection. Made from flame-retardant elastomeric material, these adhesive-lined boots are resistant to high temperature and chemicals. Heating the boot causes the boot to shrink onto the connector and cable. An adhesive lining bonds the boot to the connector and cable and fills small gaps for a complete seal. Choose straight cable exit or right angle exit.

Style 1



Style 2

1 Straight boot, adhesive-lined. Fits all CB Series PogoPin connectors.

2 Right angle boot for 90° cable exit. Fits all CB Series PogoPin Connectors.

SPECIFICATIONS

Standard Material Fluid resistant cross-linked elastomer per VG95343 Part 6

Low Toxicity Material Fluid resistant cross-linked elastomer per NAVSEA 5617649

Adhesive Polyamide hot melt

Min. Shrink Temperature +135°C

Installation Temperature +175°C.

Temperature Range -55°C to +105°C

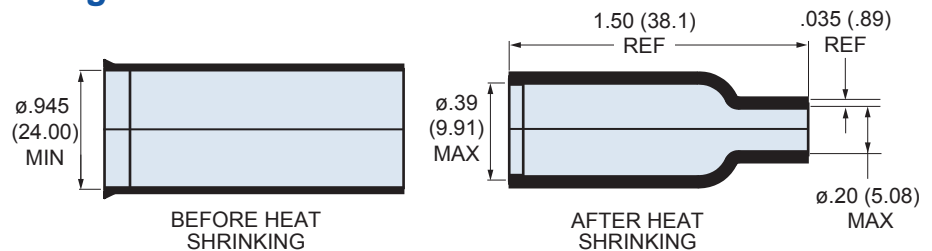
Solvent Resistance
 Saline – Excellent
 Hydraulic Fluid – Very Good
 Lubricating Oil – Very Good
 Aviation Fuel – Very Good
 Gasoline – Very Good
 Diesel – Fair
 De-Icing Fluid – Excellent

Flammability Self-extinguishing

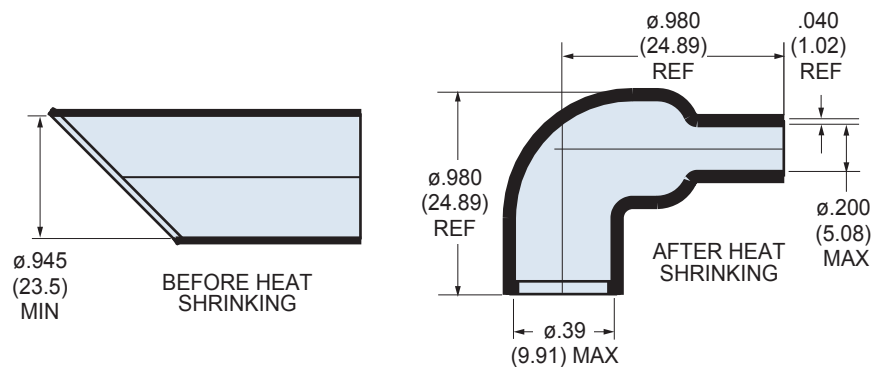
Dielectric Strength 480 V/mil

Figure	Configuration	Fluid Resistant Elastomer	Low-Smoke Zero Halogen
1	Straight	809S060-3	809S060-3H
2	Right Angle	809A060-3	809A060-3H

Straight Boot Dimensions



Right Angle Boot Dimensions



All dimensions in millimeters (mm). Information subject to change without notice.