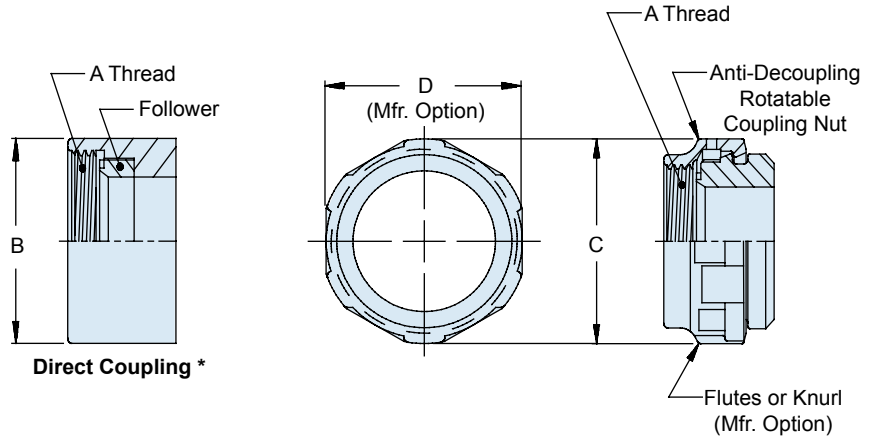


## Connector Designator

# A

SPECIFICATION	SERIES
MIL-DTL-5015	MS34XX
MIL-DTL-26482	2
MIL-C-81703	3
MIL-DTL-83723	1 & 3
40M39569	NB
DEF 5326-3	
LN 29504	
NFC 93422	HE 302
PAN 6432-1	
PAN 6432-2	
PATT 602	
EN2997	



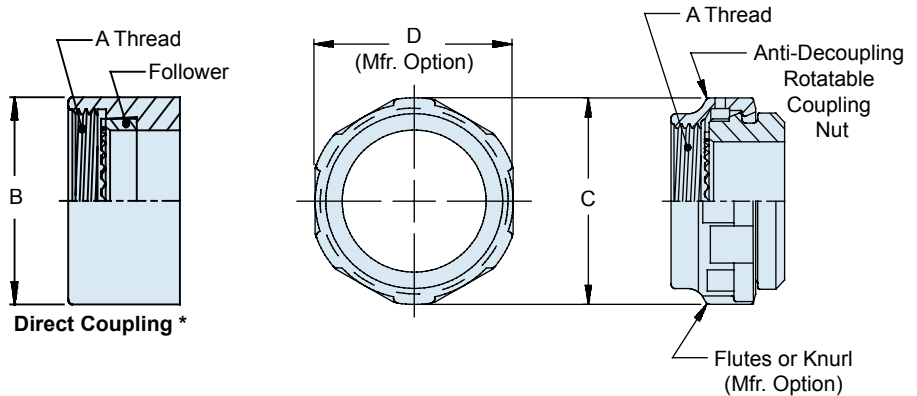
Note: Code A, rotatable coupling supplied without O-ring. Environmental seal performed by interface geometry.

\* Consult factory for direct coupling part numbers.

## Connector Designator

# F

SPECIFICATION	SERIES
MIL-DTL-38999	I & II
40M38277	NLS
NFC 93422	HE 309
NFC93422	HE 308
PAN 6433-1	
PATT 614	
PATT 616	



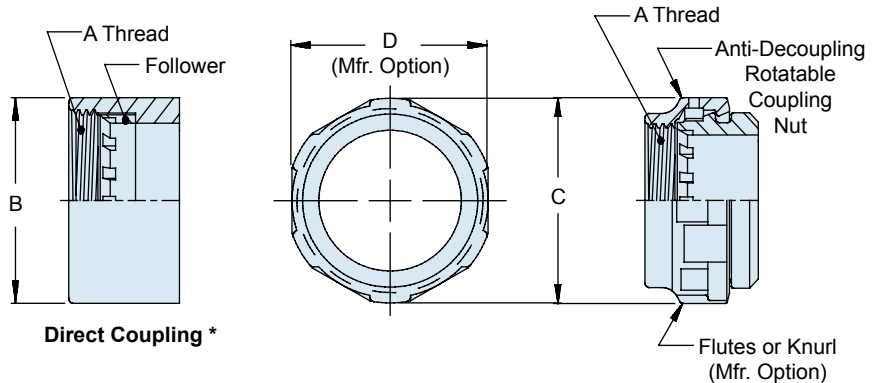
Note: Direct coupling supplied with O-ring for moisture sealing. Add modifier code 101A to end of part number for O-ring to be supplied on rotatable coupling.

\* Consult factory for direct coupling part numbers.

## Connector Designator

# G

SPECIFICATION
MIL-DTL-28840



Note: Code G, rotatable coupling is supplied without O-ring. Environmental seal performed by interface geometry.

\* Consult factory for direct coupling part numbers.

## Connector Designator

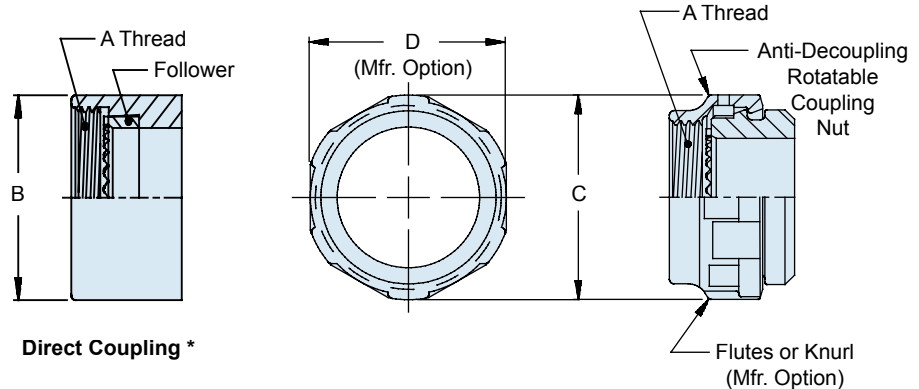
**H**

## SPECIFICATION

MIL-DTL-38999  
EN3645

## SERIES

III &amp; IV



Direct Coupling \*

Note: Direct coupling supplied with O-ring for moisture sealing. Add modifier code 101A to end of part number for O-ring to be supplied on rotatable coupling.

\* Consult factory for direct coupling part numbers.

## Connector Designator

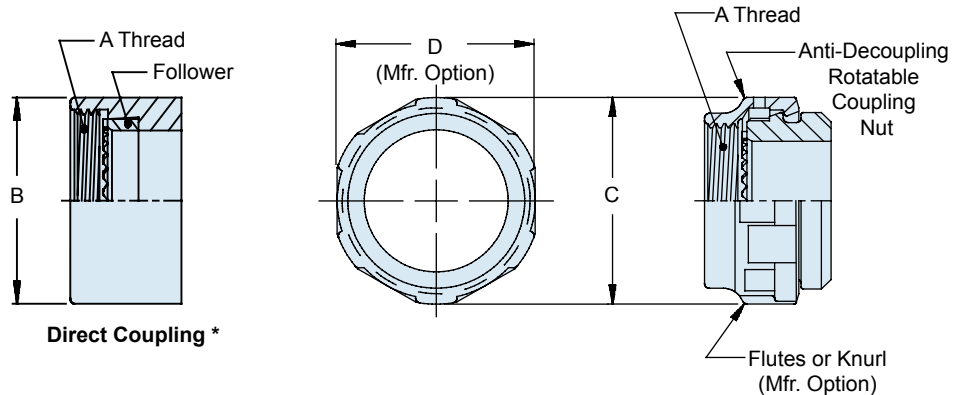
**L**

## SPECIFICATION

EN3372  
JN1003  
LN 29729  
NFC93422  
PAN 6433-2  
PATT  
615  
VG 96912

## SERIES

HE306



Direct Coupling \*

Note: Direct coupling supplied with O-ring for moisture sealing. Add modifier code 101A to end of part number for O-ring to be supplied on rotatable coupling.

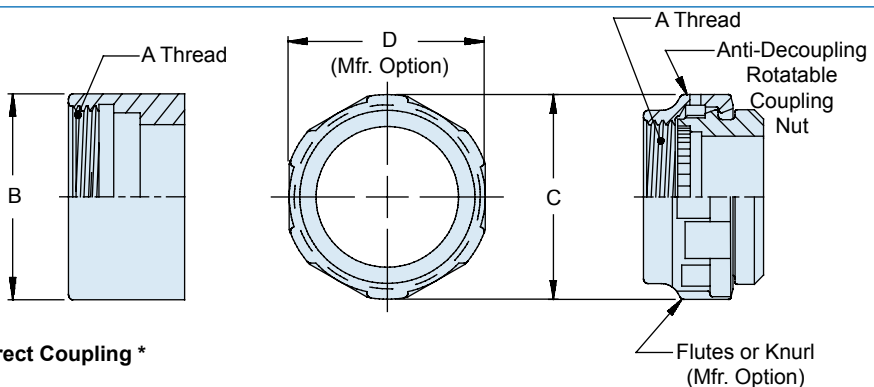
\* Consult factory for direct coupling part numbers.

## Connector Designator

**U**

## SPECIFICATION

MIL-C-29600



Direct Coupling \*

Note: Direct coupling supplied with O-ring for moisture sealing. Add modifier code 101A to end of part number for O-ring to be supplied on rotatable coupling.

\* Consult factory for direct coupling part numbers.