

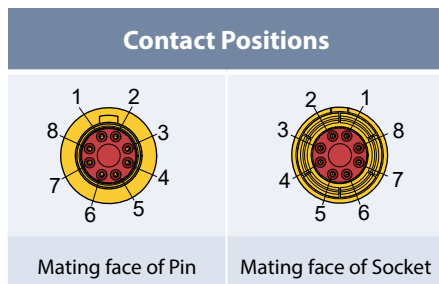
El Ochito[®] Red Single-Ended Cable Assembly 8573-0001

EL OCHITO[®] JUMPERS

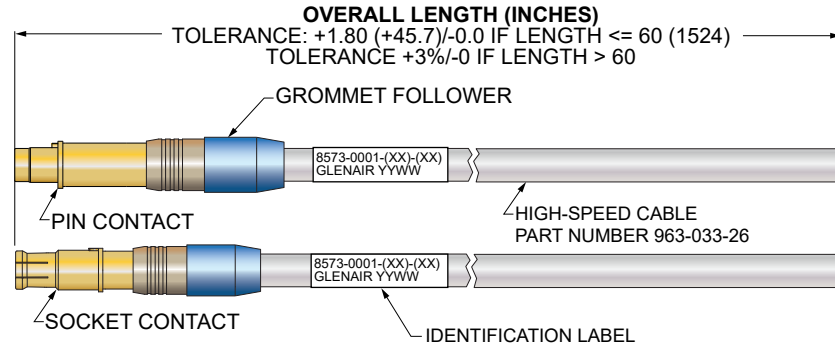
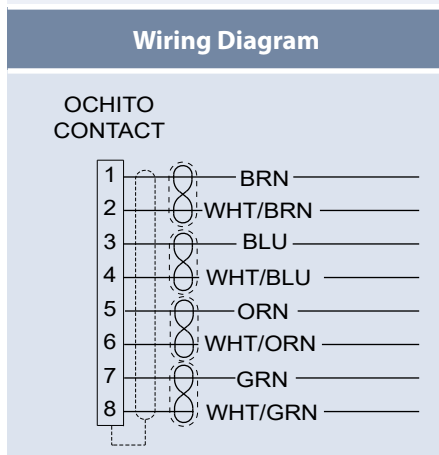


El Ochito[®] Red for Multi-Gigabit 100 Ohm Datalinks, pin contact mating face

Save assembly time and cost with pre-wired, 100% tested El Ochito[®] Red assemblies for datalinks up to 1Gbps per pair. These single-ended cables have El Ochito[®] Red contacts terminated to high performance flight-grade 100 ohm shielded twisted pair cable. Supplied with cable grommet follower. Compatible with Glenair Series 23, Series 28, Series 792, Series 816, Series 806 and ARINC 600 connectors. Designed to meet the requirements of MIL-DTL-38999 and SAE AS39029. *El Ochito[®] contacts must be installed in keyed connectors before mating to prevent misalignment and contact damage.*



- ### Technical Data
- Refer to individual contact data sheets for construction details
 - 100% tested for shorts, continuity and IR
 - Operating temp.:** -65° to +175°C
 - Impedance:** 100 ohms
 - DWV:** 300 Vrms
 - Current Rating:** 1.5 A
 - IR:** 10 megohms min.
 - Durability:** 500 mating cycles



El Ochito[®] Red Single-Ended Cable Assemblies

Sample Part Number→	8573-0001	-01	-36
Product	8573-0001 = Pre-wired El Ochito [®] contact, single-ended		
El Ochito [®] Contact P/N	See Table I		
Length	Length in Inches (12 inch minimum)		

Table 1 Order Code

Connector Type	Order Code	Contact Part No.	Pin/Skt	Bandwidth Per Pair	Cable
Series 23 Series 28	01	858-030-02F	Pin	up to 1 Gbps	963-033-26 26 AWG
	02	858-031-02F	Socket	up to 1 Gbps	963-033-26 26 AWG
ARINC 600	03	858-039-01	Pin	up to 1 Gbps	963-033-26 26 AWG
	04	858-037-01	Socket	up to 1 Gbps	963-033-26 26 AWG
Series 792 Series 806 Series 816	05	858-049-01F	Pin	up to 1 Gbps	963-033-26 26 AWG
	06	858-050-01F	Socket	up to 1 Gbps	963-033-26 26 AWG