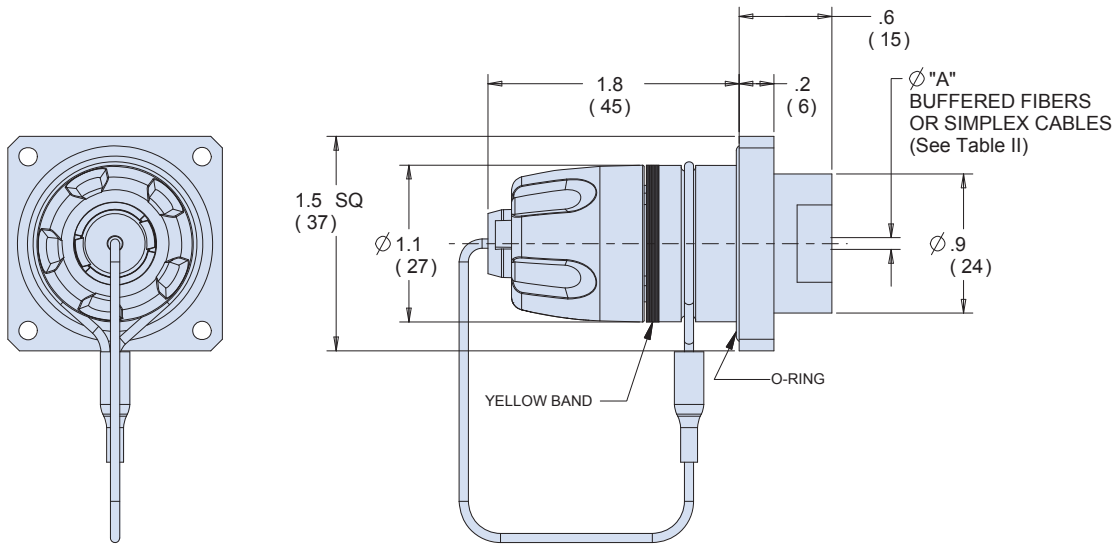


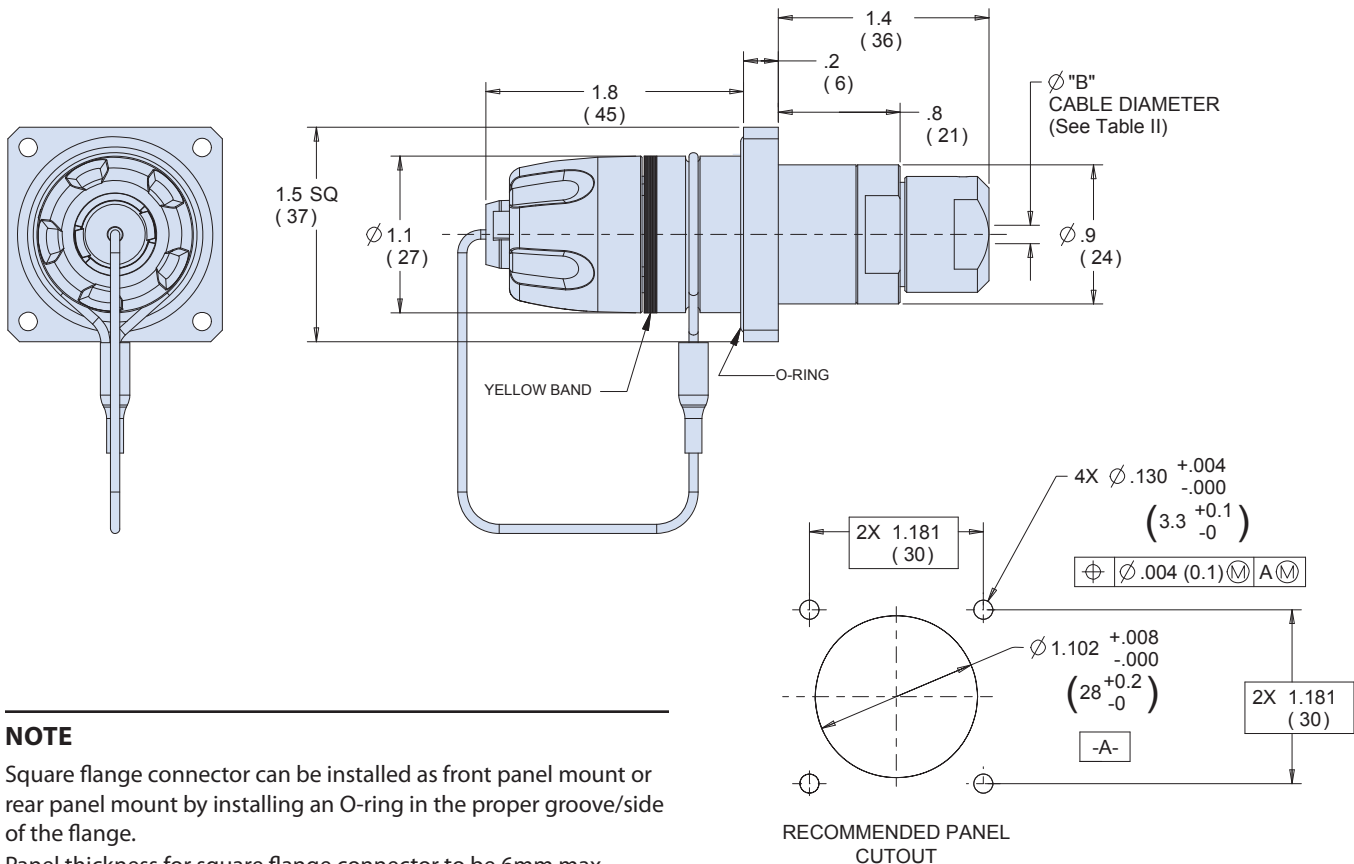
SERIES 185-002 EYE-BEAM® GMA
 MIL-DTL-83526 /20 & /21 compliant
 hermaphroditic expanded beam connectors
 Wall mount receptacles



185-002-70 LOW-PROFILE WALL MOUNT RECEPTACLE



185-002-71 WALL MOUNT RECEPTACLE WITH EXTENDED BACKEND



NOTE

Square flange connector can be installed as front panel mount or rear panel mount by installing an O-ring in the proper groove/side of the flange.
 Panel thickness for square flange connector to be 6mm max.