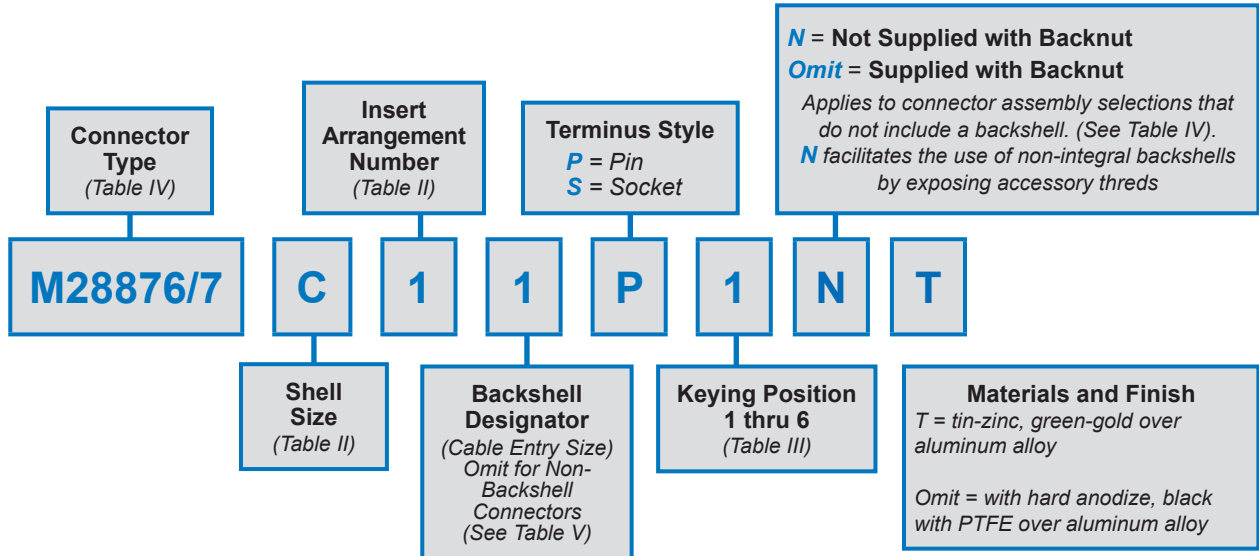




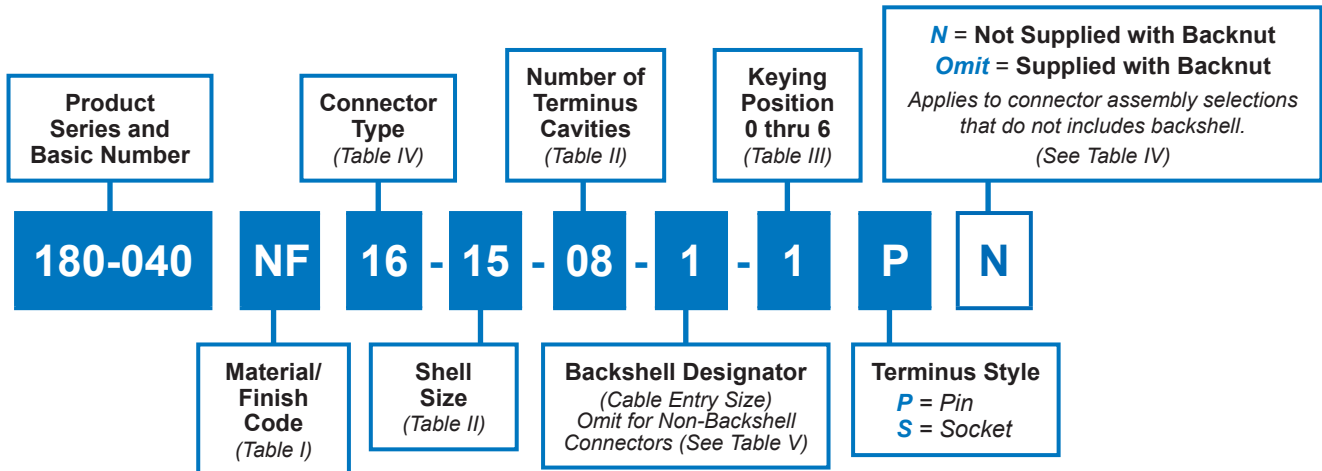
MIL-PRF-28876 QPL Fiber Optic Connectors
180-040
How to Order



Military QPL M28876/1 through /14 fiber optic connectors



Glenair commercial equivalent MIL-PRF-28876 type fiber optic connectors



MIL-PRF-28876 QPL Fiber Optic Connectors

180-040

How to Order



Table I: Material and Finishes (Commercial)

Code	Material	Finish Description
GB4	Aluminum Alloy	Hard Anodize, Black with PTFE
M*		Electroless Nickel
ME		Electroless Nickel
MT*		Nickel-PTFE, Grey
NF		Cadmium, Olive Drab
TZ		Tin-Zinc, Green-Gold
ZR		Zinc-Nickel, Black

*Inactive for new design. Use "ME" finish
Refer to Appendix for material/finish details

Table II: Shell Size and Insert Arrangement

Mil-Spec		Commercial	
Shell Size	Insert Arrangement	Shell Size	Number of Cavities
A	1	11	02
B	1	13	04
C	2	15	06
	1		08
F	2	23	18
	1		31

Consult factory for QPL status

Table V: Backshell Designator

Backshell Designator	Max Allowable Cable Diameter by Shell Size			
	A (11)	B (13)	C (15)	F (23)
1	.250 (6.4)	.285 (7.2)	.500 (12.7)	.866 (22.0)
2	.346 (8.8)	.346 (8.8)	.250 (6.4)	1.000 (25.4)
3		.453 (11.5)	.375 (9.5)	.600 (15.2)

Table IV: Connector Type

Connector Type	Backshell Type	MIL-Spec	Commercial
Wall Mount Receptacle	None	M28876/1	03
	Straight	M28876/2	13
	45°	M28876/3	23
	90°	M28876/4	33
In-Line Receptacle	Straight	M28876/5	15
Plug	None	M28876/6	06
	Straight	M28876/7	16
	45°	M28876/8	26
	90°	M28876/9	36
Jam Nut Receptacle	None	M28876/11	04
	Straight	M28876/12	14
	45°	M28876/13	24
	90°	M28876/14	34

Material and Finish

A. M28876 part numbers supplied with two finish designator options driven by part number formulation (see above).

T = Tin-Zinc, Green-Gold over Aluminum Alloy

Omit = Hard Anodize, Black with PTFE over Aluminum Alloy.

See Table I for commercial plating options.

B. Hardware: Aluminum alloy/chem film, stainless steel/passivate

C. Insert: Aluminum alloy/anodize

D. Seals and boot: Fluorosilicone

Notes

Termini (Not Supplied with Connector):

M29504/14 - Pin terminus, MIL-Spec

M29504/15 - Socket Terminus, MIL-Spec

M29504/03 - Dummy Terminus, MIL-Spec

181-039 - Pin Terminus, MIL-Spec Style

181-040 - Socket terminus, MIL-Spec Style

181-051 - Dummy Terminus, MIL-Spec Style

Backnut retained using thread-locking compound

Shell size 13 backshell designator 3 connector supplied less boot

Consult factory for termination and assembly tools/procedures

Operating Temperature Range: -55° to +125°C.

Dimensions in Inches (millimeters) are subject to change without notice.

Key Positions for MIL-PRF-28876 (180-040) fiber optic connectors

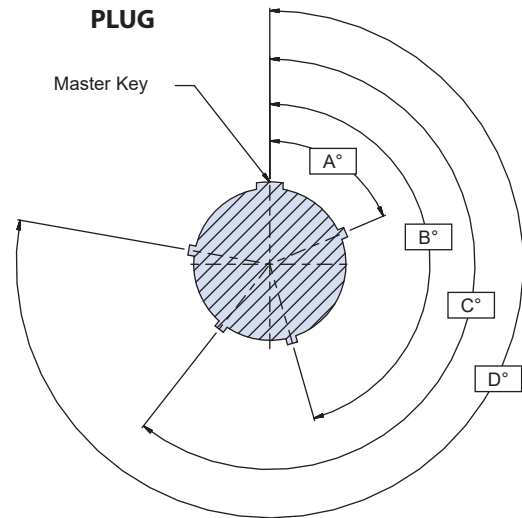
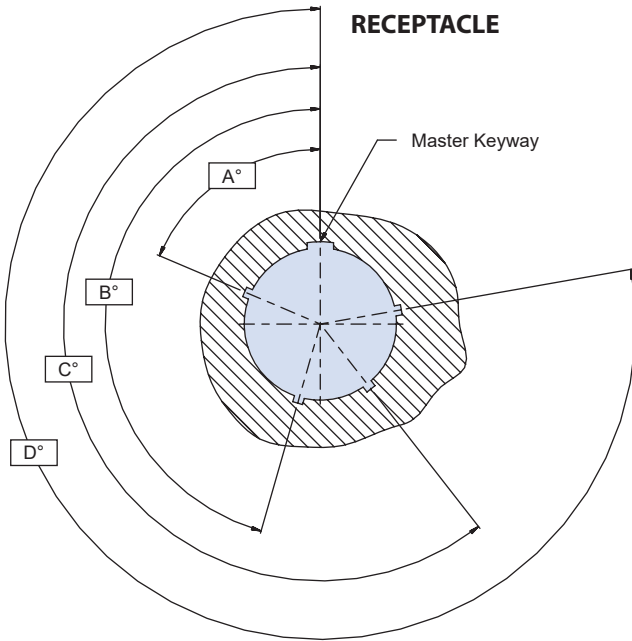


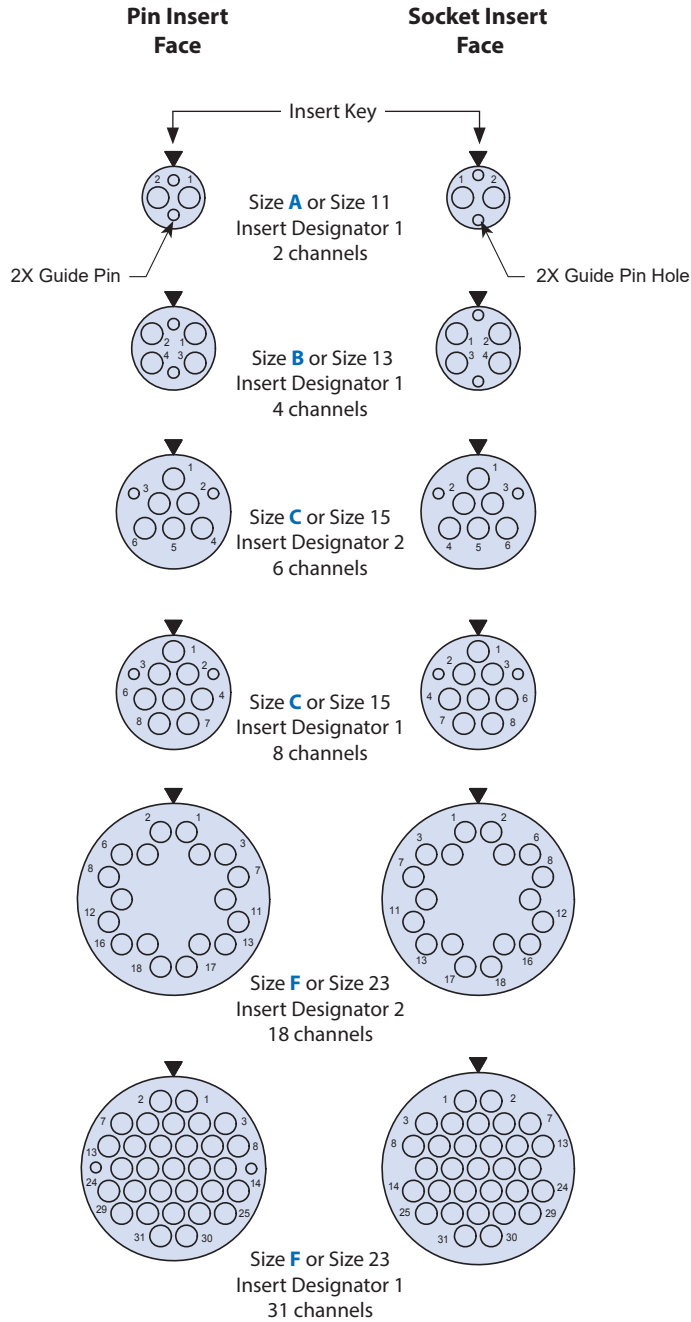
Table III: Keying Position

Shell Size	Key Position	A°	B°	C°	D°
11 and 13	0*	-	-	-	-
	1	95	141	208	236
	2	113	156	182	292
	3	90	145	195	252
	4	53	156	220	255
	5	119	146	176	298
	6	51	141	184	242
15 and 23	0*	-	-	-	-
	1	80	142	196	293
	2	135	170	200	310
	3	49	169	200	244
	4	66	140	200	257
	5	62	145	180	280
	6	79	153	197	272

*0 indicates universal keying arrangement and is available on commercial equivalent plug connector only.

J

Insert arrangements for MIL-PRF-28876 (180-040) fiber optic connectors



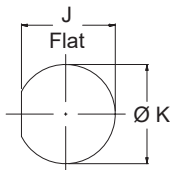
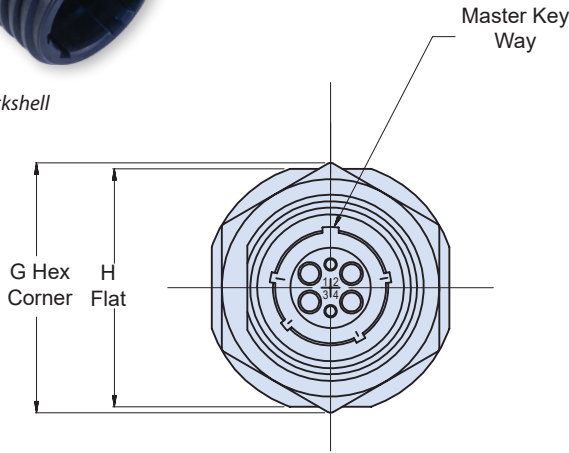
M28876

MIL-PRF-28876 QPL jam nut receptacle connector



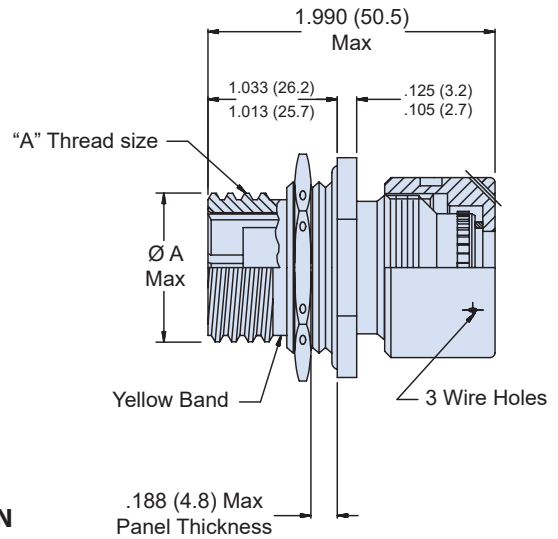
Shell Size	Table I						
	G Max	H ± .010 (0.3)	J FLAT ± .005 (0.1)	Ø K ± .005 (0.1)	Ø C Max	Ø L Max	Ø A Max
11	1.290 (32.8)	1.264 (32.1)	.848 (21.5)	.885 (22.5)	.960 (24.4)	.960 (24.4)	.750 (19.1)
13	1.435 (35.9)	1.389 (35.3)	.973 (24.7)	1.010 (25.7)	1.085 (27.6)	1.085 (27.6)	.875 (22.2)
15	1.650 (41.9)	1.577 (40.1)	1.160 (29.5)	1.198 (30.4)	1.255 (31.9)	1.255 (31.9)	1.062 (27.0)
23	2.093 (53.2)	2.004 (50.9)	1.593 (40.5)	1.635 (41.5)	1.695 (43.1)	1.763 (44.8)	1.500 (38.1)

Receptacle without backshell

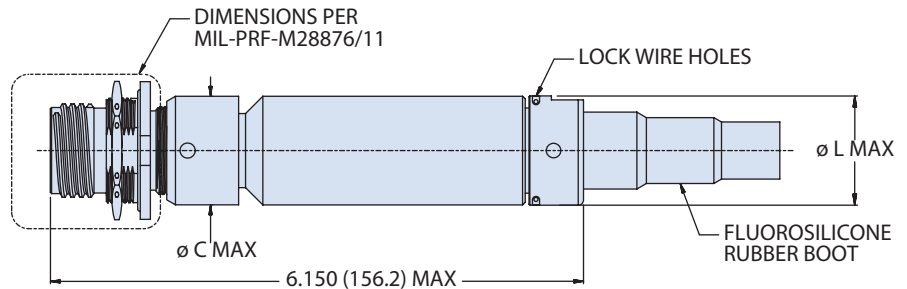


Recommended Panel Cutout
(Jam Nut Mounting)
As Viewed from Face of Panel

**SHELL SIZE 13 INSERT
ARRANGEMENT SHOWN**



**04 - JAM NUT MOUNT RECEPTACLE
WITHOUT BACKSHELL
M28876/11 • 180-040 (-04)**

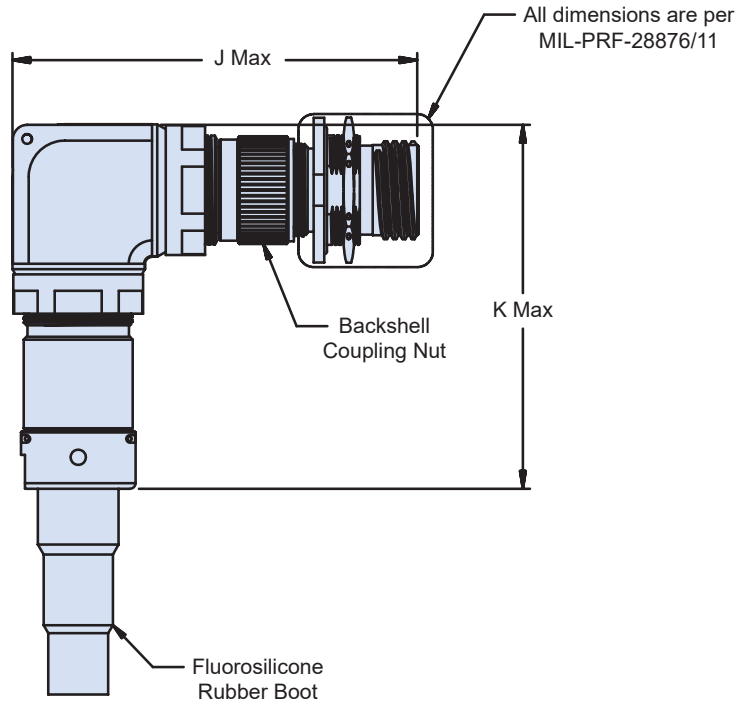


**M28876/12 • 180-040 (-14) JAM NUT MOUNT RECEPTACLE
WITH STRAIGHT BACKSHELL**

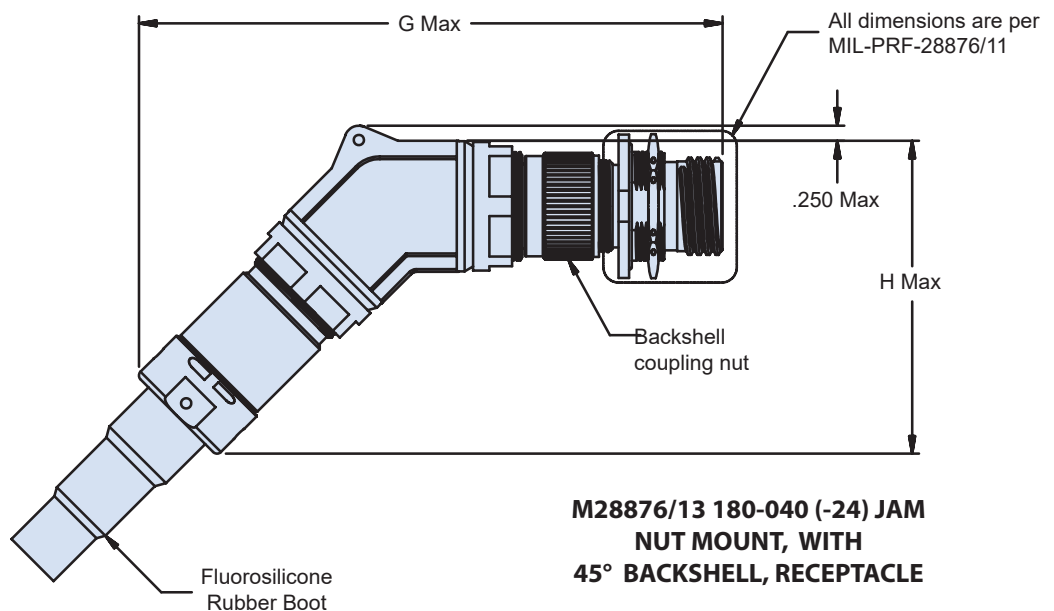
180-040 (-04, -14, -24, -34)
 MIL-PRF-28876 Jam Nut Mount Receptacle Connector
 for use with MIL-PRF-29504/14 and /15 Termini



MIL-PRF-28876
 Connectors



M28876/14 180-040 (-34) JAM NUT MOUNT, WITH 90° BACKSHELL, RECEPTACLE



M28876/13 180-040 (-24) JAM NUT MOUNT, WITH 45° BACKSHELL, RECEPTACLE

J