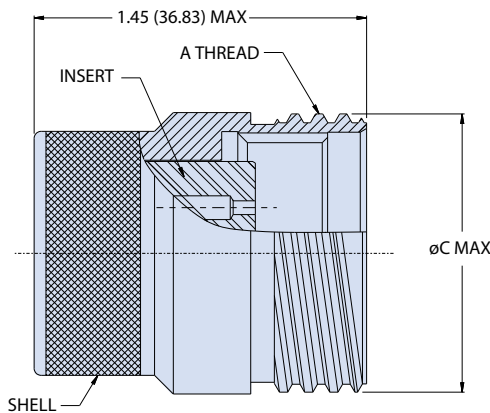
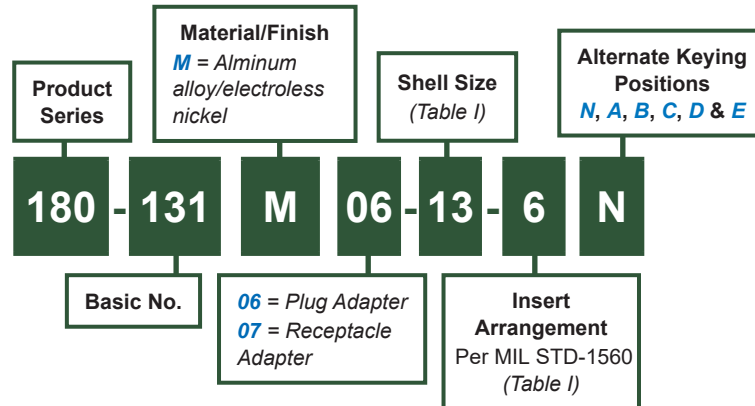
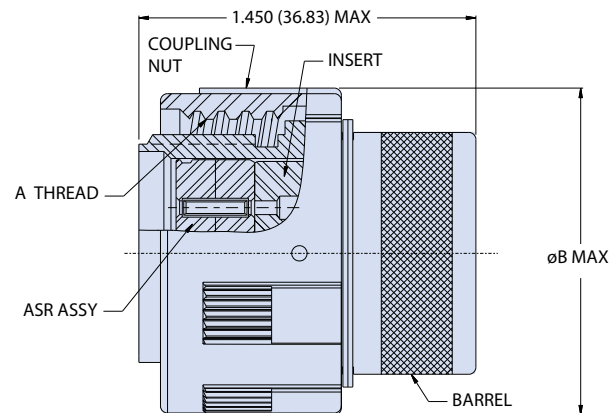


GHD test adapter, plug and receptacle

How To Order



07 - RECEPTACLE ADAPTER
FOR USE WITH PLUG CONNECTOR



06 - PLUG ADAPTER
FOR USE WITH RECEPTACLE CONNECTOR

07 Receptacle and 06 Plug Adapter
U.S. PATENT NO. 5,960,137

Dimensions					
Shell Size	Shell Size Code	No of Contacts	A Thread 0.P-0.3L-TS-2	Ø B	Ø C
11	B	4	0.7500	0.984	0.750
13	C	6	0.8750	1.157	0.875
15	D	16	1.0000	1.280	1.000
17	E	22	1.1875	1.406	1.188
19	F	30	1.2500	1.516	1.250
21	G	40	1.3750	1.642	1.375
23	H	52	1.5000	1.768	1.500
25	J	70	1.6250	1.890	1.625

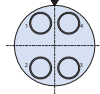
180-131
**Fiber Optic Test Adapter, Plug and Receptacle
 GHD High-Density Insert Arrangement**



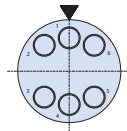
GHD high-density insert arrangements

RECEPTACLE INSERT REAR FACE SHOWN — PLUG REAR FACE - OPPOSITE

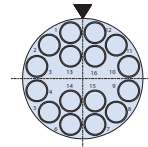
MASTER KEY/KEYWAY
 ORIENTATION



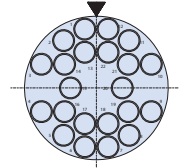
SHELL SIZE 11
 ARRANGEMENT 4



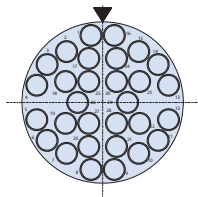
SHELL SIZE 13
 ARRANGEMENT 6



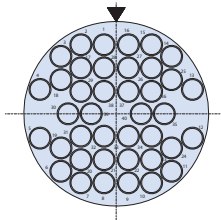
SHELL SIZE 15
 ARRANGEMENT 16



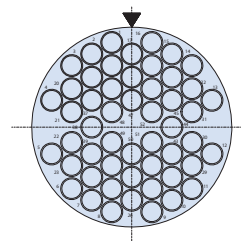
SHELL SIZE 17
 ARRANGEMENT 22



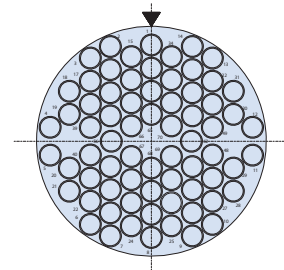
SHELL SIZE 19
 ARRANGEMENT 30



SHELL SIZE 21
 ARRANGEMENT 40



SHELL SIZE 23
 ARRANGEMENT 52



SHELL SIZE 25
 ARRANGEMENT 70

Notes

- Materials and Finish
 Barrel Shell: aluminum alloy/nickel
 Coupling Nut: Hi-Grade Engineering Thermoplastic
 Insert: high-grade engineering thermoplastic or aluminum alloy/anodize; Mfr's option
 Alignment Sleeve: Zirconia Ceramic
 Contact retention clip: copper alloy
 Alignment sleeve retainer (ASR): aluminum alloy/anodized
 Insert retainer: aluminum alloy/anodized
 Miscellaneous hardware: stainless steel
- Connector adapters designed for use with Glenair 180-122 series GHD connectors
- Alignment sleeve retainer (ASR) is supplied with plug adapter only. To order separately, see Glenair drawing 180-122ASR
- "For fiber optic test probe jumber, see Glenair drawings:
 - FA00861 = Non-keyed probe (181-061), PC polish
 - FO04309 = Keyed probe (181-062), APC polish