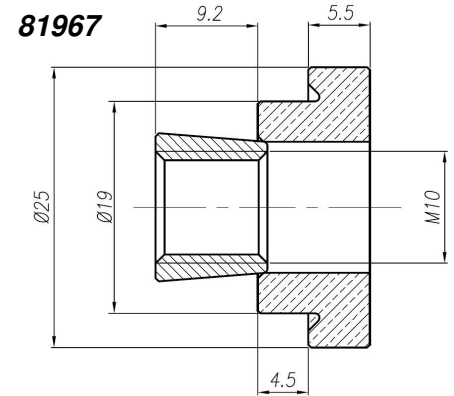
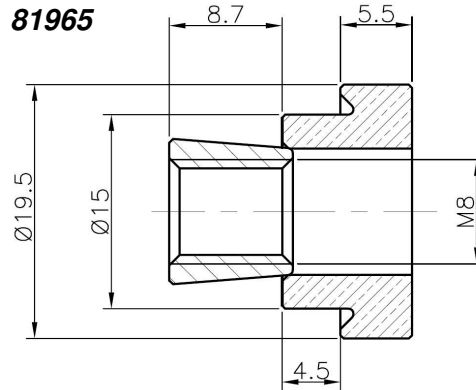
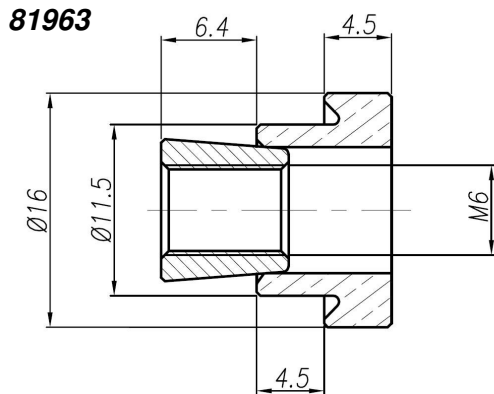


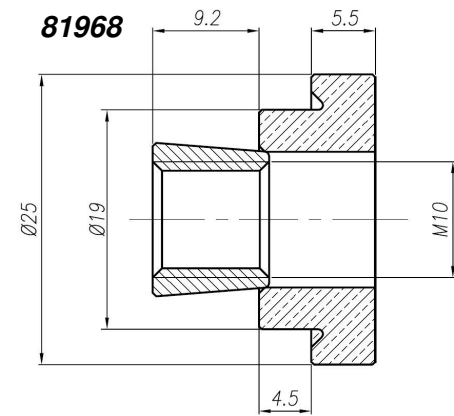
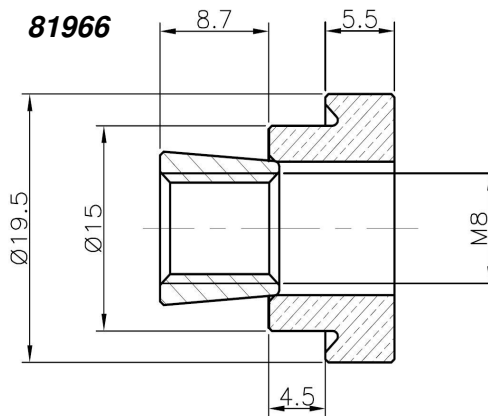
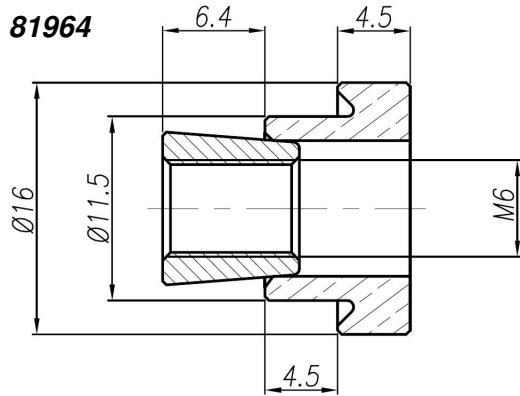


Earth Bosses for Steel and Stainless Steel



Part Number	Thread Size	Hole Size Diameter (mm)	Plate Thickness (mm)	Torque Value (Nm)	Setting Tool	Screw Adaptor
81963	M6	11.5 / 11.7	1.5 - 4	4	PBTC6*	VAV06CV045
81965	M8	15.0 / 15.2	1.5 - 4	10	PMT8*	VAV08CV050
81967	M10	19.0 / 19.2	2 - 4	20	PMT10*	VAV10CV050

Earth Bosses for Aluminium



Part Number	Thread Size	Hole Size Diameter (mm)	Plate Thickness (mm)	Torque Value (Nm)	Setting Tool	Screw Adaptor
81964	M6	11.5 / 11.7	1.5 - 4	4	PBTC6*	VAV06CV045
81966	M8	15.0 / 15.2	1.5 - 4	10	PMT8*	VAV08CV050
81968	M10	19.0 / 19.2	2 - 4	20	PMT10*	VAV10CV050

* Denotes use of screw adaptor for setting of earth boss