

FOR USE WITH STEEL AND STAINLESS STEEL

PART NUMBER	THREAD SIZE A	B	C	D	E	HOLE SIZE	PLATE THICKNESS	TORQUE VALUE	SETTING TOOL+THREADED INSERT	LONG STEPPED DRILL	SHORT STEPPED DRILL
81963-01	M6	11.5	4.5	6.4	Ø16	11.5/11.7	1.5-4mm	4Nm	PMT06 + VAV06CV045	OFE1150044	OFE1150018
81965-01	M8	15	5.5	8.7	Ø19.5	15.0/15.2	1.5-4mm	10Nm	PMT8 + VAV08CV050	OFE1500042	OFE1150018
81967-01	M10	19	5.5	9.2	Ø25	19.0/19.2	2-4mm	20Nm	PMT10 + VAV10CV050	OFE1900051	OFE1900022

FOR USE WITH ALUMINIUM

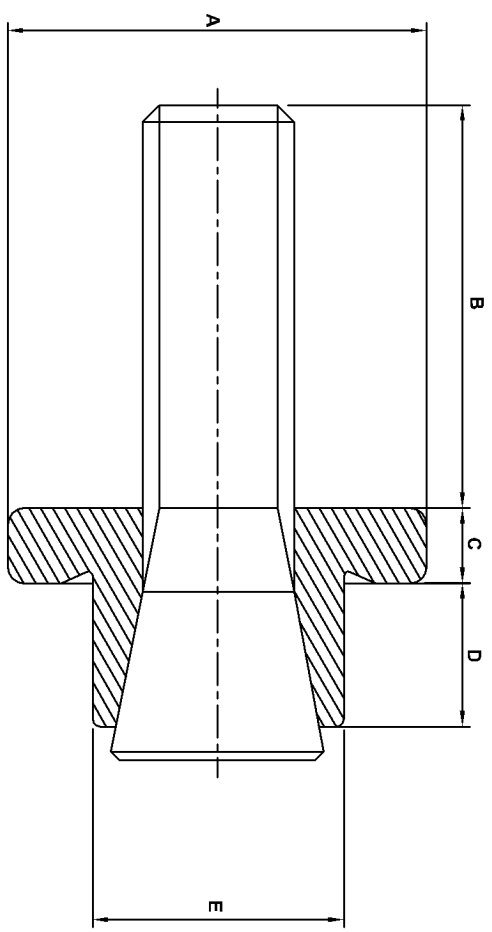
PART NUMBER	THREAD SIZE A	B	C	D	E	HOLE SIZE	PLATE THICKNESS	TORQUE VALUE	SETTING TOOL+THREADED INSERT	LONG STEPPED DRILL	SHORT STEPPED DRILL
81964-01	M6	11.5	4.5	6.4	Ø16	11.5/11.7	1.5-4mm	4Nm	PMT06 + VAV06CV045	OFE1150044	OFE1150018
81966-01	M8	15	5.5	8.7	Ø19.5	15.0/15.2	1.5-4mm	10Nm	PMT8 + VAV08CV050	OFE1500042	OFE1500018
81968-01	M10	19	5.5	9.2	Ø25	19.0/19.2	2-4mm	20Nm	PMT10 + VAV10CV050	OFE1900051	OFE1900022

MATERIAL	
FINISH	

TITLE	EARTH BOSSES FOR USE WITH STEEL/STAINLESS STEEL AND ALUMINIUM (METRIC)	
UNLESS STATED OTHERWISE THE POSITION OF ANY [ENIG] SIZE HOLES ARE SUBJECT TO THE FOLLOWING GEOMETRIC TOLERANCES	<input checked="" type="checkbox"/> ± 0.20 <input type="checkbox"/> ± 0.08	DIMENSIONS mm. SCALE 4 : 1
ALL DIMENSIONS RELATIVE TO DATUM ARE SUBJECT TO THE FOLLOWING GEOMETRIC TOLERANCES	<input type="checkbox"/> ± 0.20 <input type="checkbox"/> ± 0.08	DRAWN BY A.Jackson DESIGN APPR M.A.P. DATE 07/09/06 DATE 31/01/08
		PROJECTION A3 DIS 5089 SH1 1 OF 4
		DRAWING No. MRP1572
		REV B

GLENAIR UK LTD
 OAKHAM BUSINESS PARK
 MANSFIELD ROAD
 LONDON

THIS DOCUMENT CONTAINS INFORMATION OR DEPENDS ON IT. IT IS THE PROPERTY OF GLENAIR UK LTD. IT IS NOT TO BE REPRODUCED, COPIED, DISTRIBUTED OR USED IN ANY MANNER WITHOUT THE WRITTEN PERMISSION OF GLENAIR UK LTD. IF YOU ARE A CUSTOMER OF GLENAIR UK LTD, YOU SHALL NOT BE HELD LIABLE FOR ANY LOSS OR DAMAGE TO ANY PART OF YOUR DESIGN, MANUFACTURE OR PROCESSING OF ANY PART OF YOUR PRODUCT OR SERVICE. GLENAIR UK LTD, BY REVISION, THE HOLDER AGREES THAT IT SHALL NOT BE USED IN ANY MANNER NOTIFIED HEREIN.



NOTE
DIMENSION SHOWN IN PARENTHESES IS APPROXIMATE LENGTH OF STUD MEASURED FROM FLANGE FACE.

FOR USE WITH STEEL AND STAINLESS STEEL PLATE

PART NUMBER	THREAD SIZE	A	B	C	D	E	HOLE SIZE	PLATE THICKNESS	TORQUE VALUE	SETTING TOOL	LONG STEPPED DRILL	SHORT STEPPED DRILL
80923-01	M6	16Ø	21(26)	4.5	4.5	11.5Ø	11.5/11.7	1.5-4mm	8Nm	PMT6/PMT6	OF E1150044	OF E1150018
80974-01	M6	16Ø	13(18)	4.5	4.5	11.5Ø	11.5/11.7	1.5-4mm	8Nm	PMT6	OF E1150044	OF E1150018
80925-01	M6	16Ø	24(27)	3.5	11	8.5Ø	8.5/8.7	>4mm	8Nm	PMT6/PMT6	OF E0850032	OF E0850016
80975-01	M6	16Ø	16(19)	3.5	11	8.5Ø	8.5/8.7	>4mm	8Nm	PMT6	OF E0850032	OF E0850016
81929-01	M8	20Ø	15(20)	4.5	4.5	15.0Ø	15.0/15.2	1.5-4mm	15Nm	PMT8	OF E1500042	OF E1500018
81928-01	M8	20Ø	19(21)	3.5	11	11.5Ø	11.5/11.7	>4mm	15Nm	PMT8	OF E1150044	OF E1150018
80924-01	M10	25Ø	24(31)	5.5	4.5	19.0Ø	19.0/19.2	2-4mm	34Nm	PMT10	OF E1900051	OF E1900022
80926-01	M10	25Ø	28(31)	3.5	11	13.5Ø	13.5/13.7	>4mm	34Nm	PMT10	OF E1350037	OF E1350019

FOR USE WITH ALUMINIUM PLATE

PART NUMBER	THREAD SIZE	A	B	C	D	E	HOLE SIZE	PLATE THICKNESS	TORQUE VALUE	SETTING TOOL	LONG STEPPED DRILL	SHORT STEPPED DRILL
80958-01	M6	16Ø	21(26)	4.5	4.5	11.5Ø	11.5/11.7	1.5-4mm	8Nm	PMT6/PMT6	OF E1150044	OF E1150018
80976-01	M6	16Ø	13(18)	4.5	4.5	11.5Ø	11.5/11.7	1.5-4mm	8Nm	PMT6	OF E1150044	OF E1150018
80960-01	M6	16Ø	24(27)	3.5	11	10.5Ø	10.5/10.7	>4mm	8Nm	PMT6/PMT6	OF E1050041	OF E1050020
80977-01	M6	16Ø	16(19)	3.5	11	10.5Ø	10.5/10.7	>4mm	8Nm	PMT6	OF E1050041	OF E1050020
81931-01	M8	20Ø	15(20)	5.5	4.5	15.0Ø	15.0/15.2	1.5-4mm	15Nm	PMT8	OF E1500042	OF E1500018
81930-01	M8	20Ø	19(21)	3.5	11	13.5Ø	13.5/13.7	>4mm	15Nm	PMT8	OF E1350037	OF E1350019
80959-01	M10	25Ø	24(31)	5.5	4.5	19.0Ø	19.0/19.2	2-4mm	34Nm	PMT10	OF E1900051	OF E1900022
80961-01	M10	25Ø	28(31)	3.5	11	15.0Ø	15.0/15.2	>4mm	34Nm	PMT10	OF E1500042	OF E1500018

MATERIAL	
FINISH	

TITLE
EARTH BOND STUDS FOR USE WITH STEEL/STAINLESS STEEL AND ALUMINIUM (METRIC)

UNLESS STATED OTHERWISE THE POSITION OF ANY [ESG] SIZE HOLES ARE SUBJECT TO THE FOLLOWING GEOMETRIC TOLERANCES

TOLEANCES
xx ± 0.13
x ± 0.25
HOLES ± 0.08
ANGLES ± 0.5°

DIMENSIONS
mm.
SCALE
NTS

DRAWN BY
A.Jackson
DATE
07/09/06

PROJECTION
A3
DRAWING No.
MRP1572

DIS	5089	SHT	2
REV	B	DOC No.	8768
		DATE	31/01/08
		REV	4
		REV	B



GLENNAIR UK LTD
OAKHAM BUSINESS PARK
MANSFIELD ROAD
MANSFIELD
NOTTINGHAMSHIRE
NG20 0JG
ENGLAND

THIS DOCUMENT CONTAINS INFORMATION OF A CONFIDENTIAL NATURE AND IS THE PROPERTY OF GLENNAIR UK LTD. IT IS TO BE KEPT SECRET AND NOT BE USED, REPRODUCED OR DISCLOSED IN WHOLE OR IN PART FOR ANY OTHER PURPOSE WITHOUT THE WRITTEN PERMISSION OF GLENNAIR UK LTD. BY RETURNING THIS DOCUMENT TO THE ADDRESS ABOVE YOU AGREE TO BE BOUND BY THESE CONDITIONS.

ALL DIMENSIONS RELATIVE TO DATUM ARE SUBJECT TO THE FOLLOWING GEOMETRIC TOLERANCES

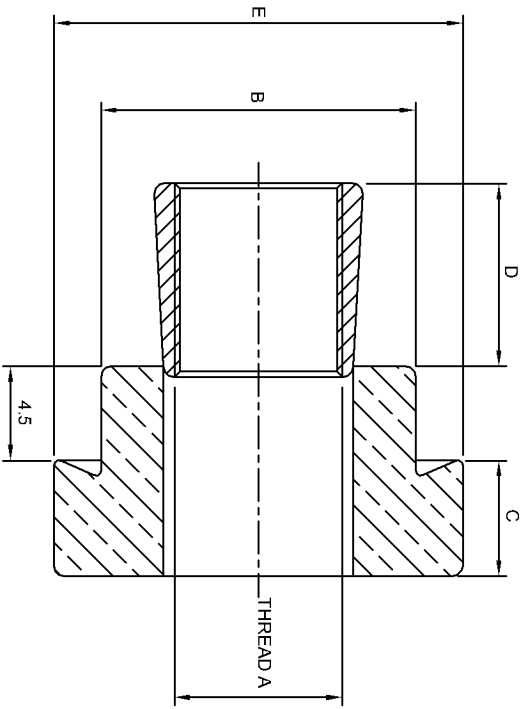
UNLESS STATED OTHERWISE THE POSITION OF ANY [ESG] SIZE HOLES ARE SUBJECT TO THE FOLLOWING GEOMETRIC TOLERANCES

DIMENSIONS
mm.
SCALE
NTS

DRAWN BY
A.Jackson
DATE
07/09/06

PROJECTION
A3
DRAWING No.
MRP1572

DIS	5089	SHT	2
REV	B	DOC No.	8768
		DATE	31/01/08
		REV	4
		REV	B



FOR USE WITH STEEL AND STAINLESS STEEL

PART NUMBER	THREAD SIZE A	B	C	D	E	HOLE SIZE	PLATE THICKNESS	TORQUE VALUE	SETTING TOOL	STEPPED DRILL
81985-01	1/4"UNC	7/16"	0.177"	0.252"	Ø0.630"	0.437"Ø.445"	0.059"-0.157"	70in-lbf	PMT C1/4UNC	OFE07/16043
81991-01	3/8"UNC	3/4"	0.216"	0.362"	Ø0.984"	0.750"Ø.758"	0.078"-0.157"	300in-lbf	PMT 3/8UNC	OFE03/04051

FOR USE WITH ALUMINIUM

PART NUMBER	THREAD SIZE A	B	C	D	E	HOLE SIZE	PLATE THICKNESS	TORQUE VALUE	SETTING TOOL	STEPPED DRILL
81986-01	1/4"UNC	7/16"	0.177"	0.252"	Ø0.630"	0.437"Ø.445"	0.059"-0.157"	70in-lbf	PMT C1/4UNC	OFE07/16043
81992-01	3/8"UNC	3/4"	0.216"	0.362"	Ø0.984"	0.750"Ø.758"	0.078"-0.157"	300in-lbf	PMT 3/8UNC	OFE03/04051

MATERIAL	
FINISH	



GLENNAR UK LTD
OAKHAM BUSINESS PARK
MAKESHAM ROAD
LINDSEY KINGSOM

TITLE
EARTH BOSSES FOR USE WITH
STEEL/STAINLESS STEEL
AND ALUMINIUM (IMPERIAL)

UNLESS STATED OTHERWISE
THE POSITION OF ANY [ESIG] SIZE HOLES
ARE SUBJECT TO THE FOLLOWING
GEOMETRIC TOLERANCES

ALL DIMENSIONS RELATIVE TO DATUM
ARE SUBJECT TO THE FOLLOWING
GEOMETRIC TOLERANCES

TOLERANCES
XX ± 0.13
X ± 0.25
HOLES ± 0.08
ANGLES ± 0.5°

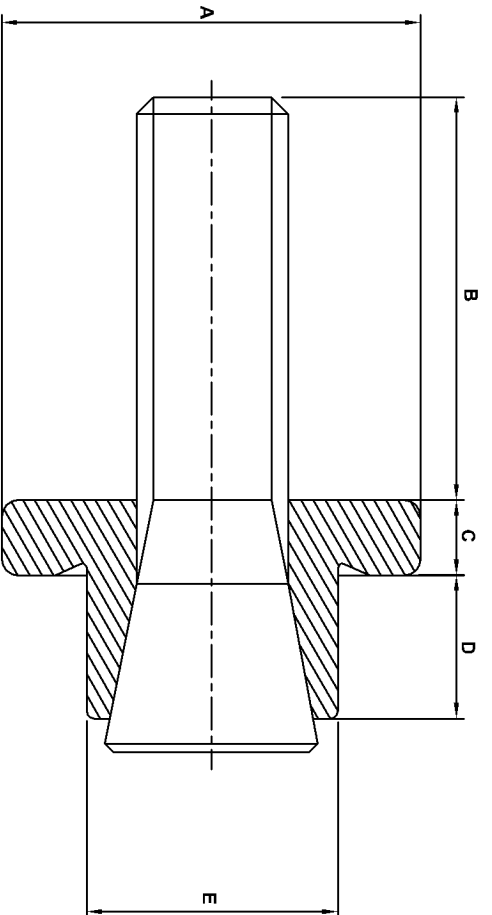
DIMENSIONS
mm.
SCALE 4 : 1

DRAWN BY M.A.P.
DESIGN APPR' M.A.P.

DATE 31/01/08

PROJECTION
DRAWING No. MRP1572

DIS	5089	SHT	3
REV	B	DOC No.	8768
		DATE	31/01/08
		OF	4
		REV	B



NOTE
DIMENSION SHOWN IN PARENTHESIS
IS APPROXIMATE LENGTH OF STUD
MEASURED FROM FLANGE FACE.

FOR USE WITH STEEL AND STAINLESS STEEL PLATE

PART NUMBER	THREAD SIZE	A	B	C	D	E	HOLE SIZE	PLATE THICKNESS	TORQUE VALUE	SETTING TOOL	STEPPED DRILL
81983-01	1/4"UNC	Ø0.630"	0.510"(0.700")	0.177"	0.177"	7/16"	0.437"Ø.445"	0.059"-0.157"	70in-lbf	PMT/C1/4UNC	OF/E07/16043
81987-01	1/4"UNC	Ø0.630"	0.630"(0.748")	0.138"	0.433"	3/8"	0.375"Ø.383"	>0.157"	70in-lbf	PMT/C1/4UNC	OF/E03/08037
81989-01	3/8"UNC	Ø0.984"	0.944"(1.220")	0.216"	0.177"	3/4"	0.750"Ø.758"	0.078"-0.157"	300in-lbf	PMT/3/8UNC	OF/E03/04051
81993-01	3/8"UNC	Ø0.984"	1.102"(1.220")	0.138"	0.433"	17/32"	0.531"Ø.539"	>0.157"	300in-lbf	PMT/3/8UNC	OF/E17/32037

FOR USE WITH ALUMINIUM PLATE

PART NUMBER	THREAD SIZE	A	B	C	D	E	HOLE SIZE	PLATE THICKNESS	TORQUE VALUE	SETTING TOOL	STEPPED DRILL
81984-01	1/4"UNC	Ø0.630"	0.510"(0.700")	0.177"	0.177"	7/16"	0.437"Ø.445"	0.059"-0.157"	70in-lbf	PMT/C1/4UNC	OF/E07/16043
81988-01	1/4"UNC	Ø0.630"	0.630"(0.748")	0.138"	0.433"	7/16"	0.437"Ø.445"	>0.157"	70in-lbf	PMT/C1/4UNC	OF/E07/16043
81990-01	3/8"UNC	Ø0.984"	0.944"(1.220")	0.216"	0.177"	3/4"	0.750"Ø.758"	0.078"-0.157"	300in-lbf	PMT/3/8UNC	OF/E03/04051
81994-01	3/8"UNC	Ø0.984"	1.102"(1.220")	0.138"	0.433"	19/32"	0.594"Ø.602"	>0.157"	300in-lbf	PMT/3/8UNC	OF/E19/32042

MATERIAL	
FINISH	

Glennar
GLENNAR UK LTD
OAKHAM BUSINESS PARK
MANSFIELD ROAD
LONDON

THIS DOCUMENT CONTAINS INFORMATION OF A CONFIDENTIAL NATURE AND IS THE PROPERTY OF GLENNAR UK LTD. IT IS NOT TO BE REPRODUCED, COPIED, DISCLOSED IN WHOLE OR IN PART FOR DESIGN, MANUFACTURE OR PROCUREMENT OF ANY PRODUCT WITHOUT THE WRITTEN PERMISSION OF GLENNAR UK LTD. BY RETURNING THIS DOCUMENT TO THE SUPPLIER, THE USER AGREES THAT IT SHALL NOT BE USED IN ANY MANNER NOT AUTHORIZED HEREIN.

TITLE
EARTH BOND STUDS FOR USE WITH STEEL/STAINLESS STEEL AND ALUMINIUM (IMPERIAL)

UNLESS STATED OTHERWISE THE POSITION OF ANY [ESG] SIZE HOLES ARE SUBJECT TO THE FOLLOWING GEOMETRIC TOLERANCES

ALL DIMENSIONS RELATIVE TO DATUM ARE SUBJECT TO THE FOLLOWING GEOMETRIC TOLERANCES

0.020
 0.025
 0.030

TOLERANCES
 XX ± 0.13
 X ± 0.25
 HOLES ± 0.08
 ANGLES ± 0.5°

DIMENSIONS: mm, NTS
DRAWN BY: M.A.P.
DATE: 31/01/08

PROJECTION: A3
DRAWING No. MRP1572
DIS 5089
REV BCO No. 8768
DATE 31/01/08
SHT 4 OF 4
REV B