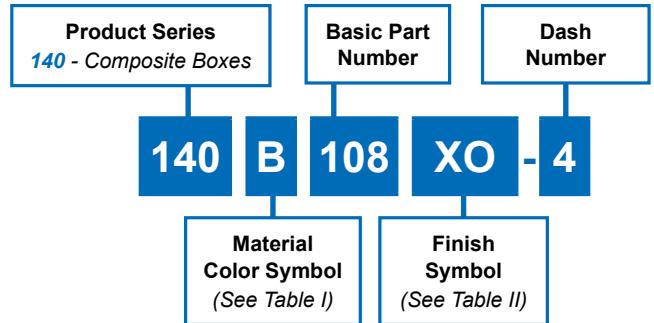


Series 140-108 12 Port Rectangular Junction Box

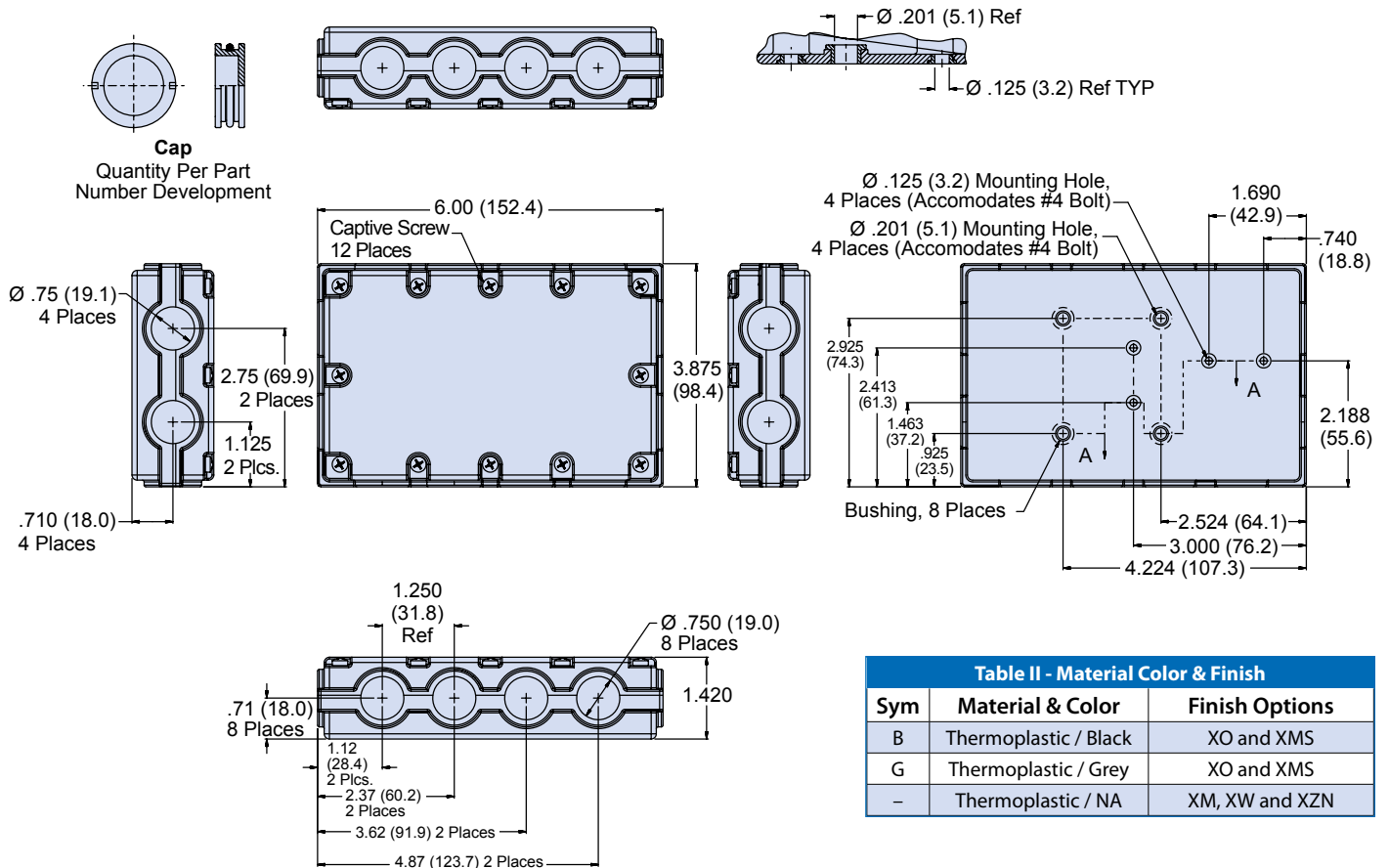


12 Port rectangular junction box

How To Order



Symbol	Finish Description
XO	No Plating (Non-Conductive Finish)
XMS	Internal Surfaces - Electroless Nickel External Surfaces - See Table II
XM	All Surfaces - Electroless Nickel
XW	All Surfaces - Cadmium Olive Drab over Electroless Nickel
XZN	All Surfaces - Zinc Nickel/Black



Sym	Material & Color	Finish Options
B	Thermoplastic / Black	XO and XMS
G	Thermoplastic / Grey	XO and XMS
-	Thermoplastic / NA	XM, XW and XZN

Notes
 Use dash number 0000 for basic box with no additional options beyond your specified finish. 0000 basic box includes #6-32 UNC fasteners.
 Box series numbers are for reference only. Contact the factory for part number assignment for your specific box configuration.