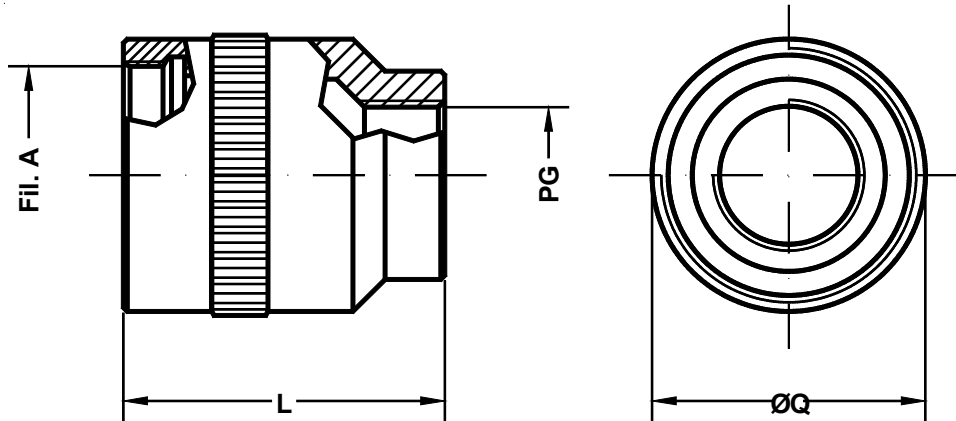


Raccordo PG *PG adaptor*



Dimensione Guscio <i>Shell Size</i>	Filetto A <i>A thread</i>	L Max.	Q Max.	Filetto PG <i>PG thread</i>
10 SL	0.6250 - 24UNEF	30.0	22.5	7 / 9 / 11
12 S - 12	0.6250 - 24UNEF	30.0	22.5	7 / 9 / 11
14 S - 14	0.7500 - 20UNEF	32.0	23.5	9 / 11 / 13.5
16 S	0.8750 - 20UNEF	32.0	25.5	11 / 13.5 / 16
16	0.8750 - 20UNEF	32.0	25.5	11 / 13.5 / 16
18	1.0000 - 20UNEF	40.0	30.5	13.5 / 16 / 21
20	1.1875 - 18UNEF	42.0	35.5	13.5 / 16 / 21
22	1.1875 - 18UNEF	42.0	35.5	13.5 / 16 / 21
24	1.4375 - 18UNEF	42.0	40.5	16 / 21 / 29
28	1.4375 - 18UNEF	47.0	45.5	16 / 21 / 29
32	1.7500 - 18UNS	52.0	52.5	16 / 21 / 29
36	2.0000 - 18UNS	57.0	60.0	21 / 29 / 36
40	2.2500 - 16UN	62.0	63.5	21 / 29 / 36

Raccordo per serracavo con filetto PG per
connettori curvi in classe A.

*Adaptor for PG cable gland for use with
class A 90° plugs.*