

**IT 3057-XXC**  
**General Duty Cable Clamp**  
 for Jacketed or Multipolar Cable or Wires Protected by Tubing

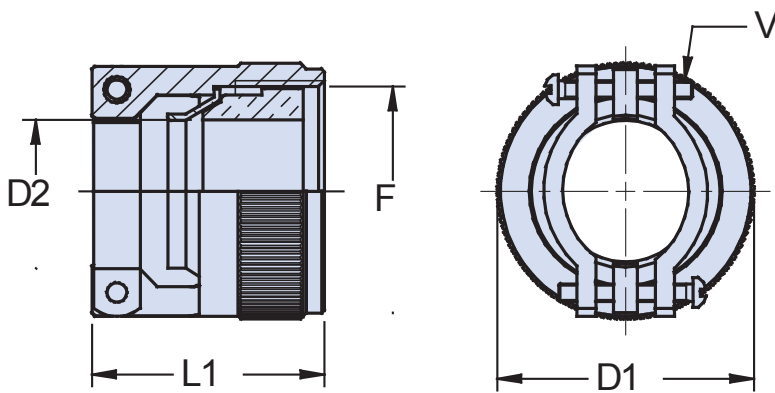


**IT 3057-10C F2**

MIL-C-5015 Compatible  
Accessory

Basic Part Number  
and Shell Size Designator  
(Table I)

Finish Options (Table II)



**TABLE II: MODIFICATION CODES**

FINISH OPTIONS	
Sym	Description
F2	Bright Nickel Plating
F6	Black Electrodeposited Paint
F8	Olive Drab Zn-Co Plating
Omit for standard version (See Note 2)	

**TABLE I: PART NUMBER AND CONNECTOR SIZE DESIGNATOR**

Part Number	Shell size	Sleeve	A	B		F thread	L	V thread
				min.	Max.			
IT 3057-10C	18	IT 3420 - 6A / 10A	31.0	9.60	15.87	1.0000 - 20UNEF	35.3	6 - 32NC
IT 3057-12C	20 - 22	IT 3420 - 8A / 12A	37.3	11.30	19.00	1.1875 - 18UNEF	35.7	8 - 32NC
IT 3057-16C	24 - 28	IT 3420 - 8A / 12A / 16A	42.0	15.50	23.80	1.4375 - 18UNEF	38.5	8 - 32NC
IT 3057-20C	32	IT 3420 - 12A / 16A / 20A	54.0	23.40	31.75	1.7500 - 18UNS	44.8	250 - 20NC
IT 3057-24C	36	IT 3420 - 16A / 18A / 24A	57.1	23.40	35.00	2.0000 - 18UNS	51.6	250 - 20NC
IT 3057-28C	40	IT 3420 - 16A / 20A / 28A	63.5	29.90	41.25	2.2500 - 16UN	51.6	250 - 20NC

**Application Notes:**

1. General duty cable clamp suitable for jacketed or multipolar cable or wires protected by tubing.
2. Standard materials configuration consists of aluminum alloy with cadmium free conductive finish and black passivation.
3. Other types of front and rear connector accessories are available.  
See our website and/or contact the factory for complete information.