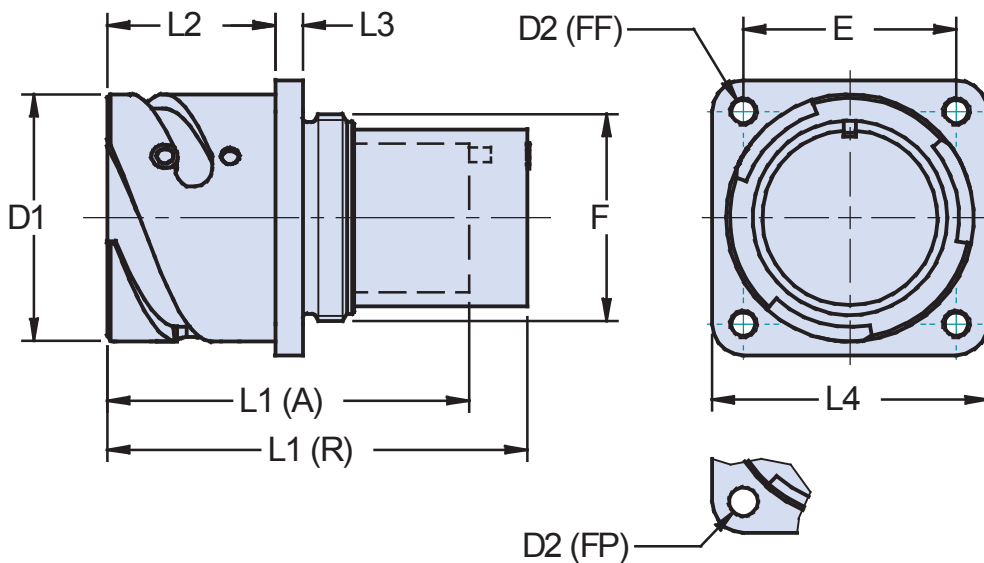
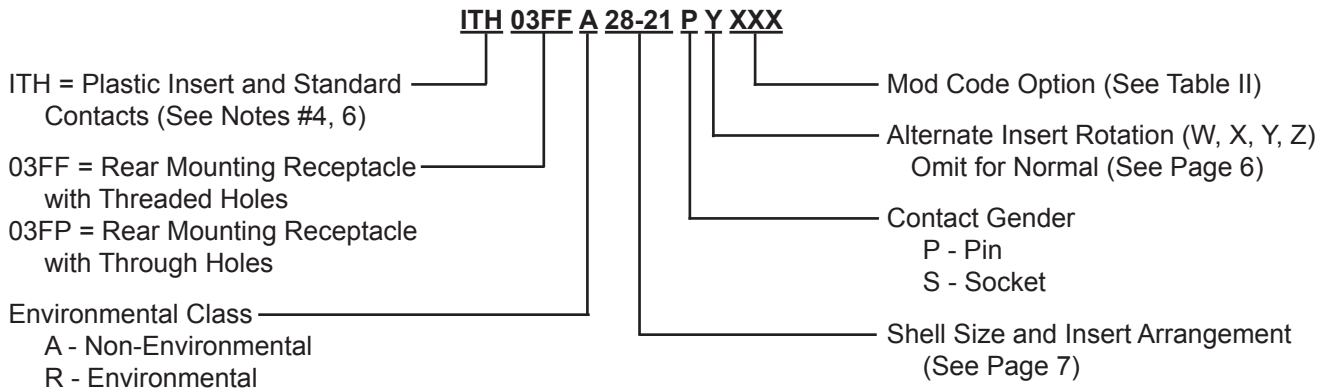


**ITH 03FF A and ITH 03FP A
ITH 03FF R and ITH 03FP R
Box Mount Receptacle Connector
for Rear Panel Mounting**



Application Notes:

1. Box mount receptacle connector with square flange for front or rear panel mounting. Optional threaded or through mounting holes.
2. Environmental class A (non-environmental) not supplied with grommet; Class R (environmental) supplied with grommet.
3. Standard shell materials configuration consists of aluminum alloy with cadmium free conductive plating and black passivation.
4. Standard contact material consists of copper alloy with gold plating.
5. A broad range of other front and rear connector accessories are available. See our website and/or contact the factory for complete information.
6. Standard insert material is Low fire hazard plastic UL94V0 and NFF16-102.

**ITH 03FF A and ITH 03FP A
ITH 03FF R and ITH 03FP R
Box Mount Receptacle Assembly
for Rear Panel Mounting**



TABLE I: DIMENSIONS

Shell Size	D1	D2		E	F thread	L1		L2	L3	L4
	+0 -0.15	FF	FP H13	±0.1		A ±0.3	R ±0.3	+0.4 -0	±0.2	±0.3
18	30.8	M4	3.2	27.0	1.0000 - 20UNEF	50.0	58.0	23.05	4.0	35.0
20	34.2	M4	3.2	29.4	1.1250 - 18UNEF	50.0	58.0	23.05	4.0	38.0
22	37.4	M4	3.2	31.8	1.2500 - 18UNEF	50.0	58.0	23.05	4.0	41.0
24	40.9	M4	3.7	34.9	1.3750 - 18UNEF	50.0	58.0	23.05	4.0	44.5
28	46.7	M5	3.7	39.7	1.6250 - 18UNEF	50.0	58.0	24.05	4.0	50.8
32	53.4	M5	4.3	44.5	1.8750 - 16UN	50.0	58.0	24.05	4.0	57.0
36	59.6	M5	4.3	49.2	2.0625 - 16UN	50.0	58.0	24.05	4.0	63.5
40	65.5	M5	4.3	55.5	2.3125 - 16UN	50.0	58.0	24.05	4.0	69.9

TABLE II: MODIFICATION CODES

CONTACT OPTIONS	
Sym	Description
B0	Connector less contacts
Omit for standard version (Gold Plated Copper Alloy Contacts Supplied)	
FINISH OPTIONS	
Sym	Description
F2	Bright Nickel Plating
F6	Black Electrodeposited Paint
F8	Olive Drab Zn-Co Plating
Omit for standard version (Cad free / black passivation Finish)	