

ITH 06 A (M) Straight Plug Connector with Metric Thread Cable Gland Backshell

ITH G 06 A 20-21 P Y M32x1.5 XXX

ITH = Plastic Insert and Standard Contacts (See Notes #4, 6)

Grounding Fingers (Omit for Standard)

06 = Straight Plug

Environmental Class
A = Non-Environmental

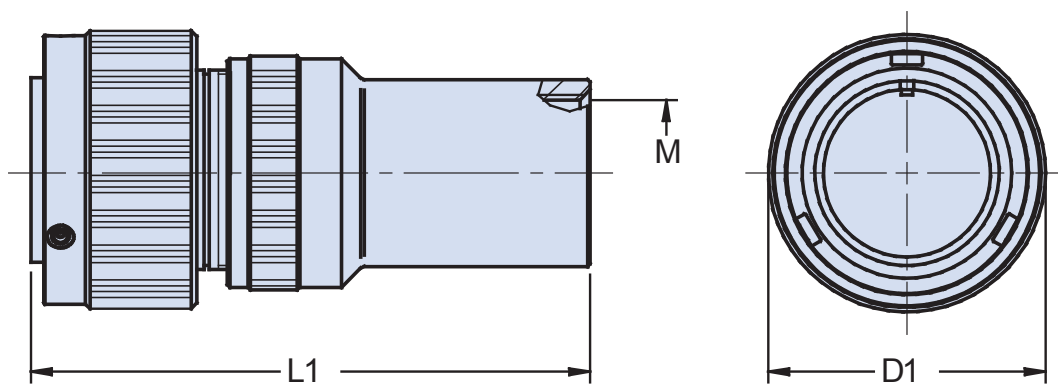
Mod Code Option (See Table II)

Metric Thread Size

Alternate Insert Rotation (W, X, Y, Z)
Omit for Normal (See page 6)

Contact Gender
P - Pin
S - Socket

Shell Size and Insert Arrangement (See Page 7)



Application Notes:

1. Straight plug connector with metric thread cable gland backshell.
2. Environmental class A (non-environmental) not supplied with grommet.
3. Standard shell materials configuration consists of aluminum alloy with cadmium free conductive plating and black passivation.
4. Standard contact material consists of copper alloy with gold plating.
5. A broad range of other front and rear connector accessories are available. See our website and/or contact the factory for complete information.
6. Standard insert material is Low fire hazard plastic UL94V0 and NFF16-102.
7. Metric cable glands not included.

**ITH 06 A (M)
Straight Plug Connector
with Metric Thread Cable Gland Backshell**



TABLE I: DIMENSIONS

Shell size	D1 ±0.2	M thread	L1 Max.
18	36.2	M20x1.5	89.0
20	39.8	M25x1.5	89.0
22	43.0	M25x1.5	89.0
24	46.4	M32x1.5	89.0
28	53.0	M32x1.5	93.0
32	60.0	M36x1.5	93.0
36	66.2	M40x1.5	105.0
40	72.3	M48x1.5	105.0

TABLE II: MODIFICATION CODES

CONTACT OPTIONS	
Sym	Description
B0	Connector less contacts
Omit for standard version (Gold Plated Copper Alloy Contacts Supplied)	
FINISH OPTIONS	
Sym	Description
F2	Bright Nickel Plating
F6	Black Electrodeposited Paint
F8	Olive Drab Zn-Co Plating
Omit for standard version (Cad free / black passivation Finish)	