

SERIES 927-072

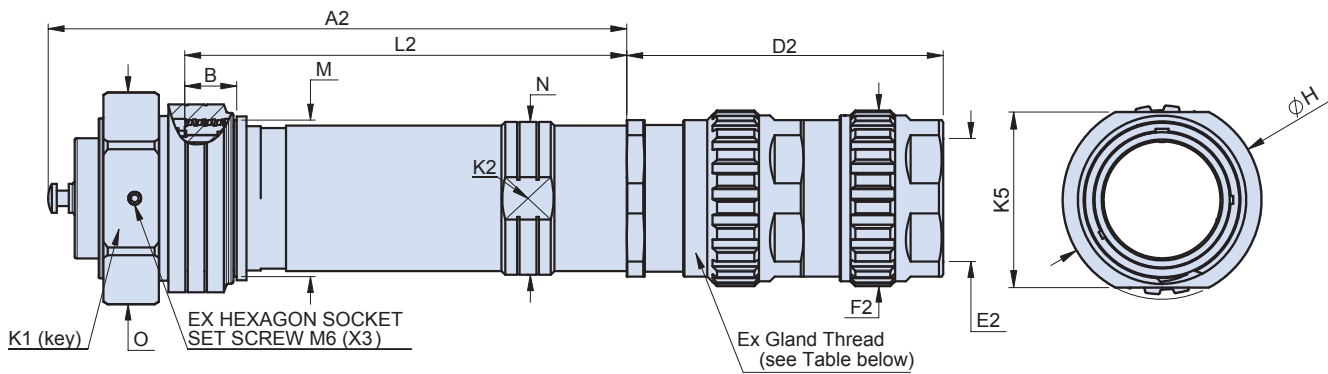
Hazardous Zone In-Line Receptacle

with Ex cable gland



927-072-021 IN-LINE RECEPTACLE WITH ENVIRONMENTAL CABLE ADAPTER AND EX CABLE GLAND

How To Order	
Sample Part Number	927-072 -021 -36-66 P1 F9 Y /A
Style	927-072 -021 = Ex Cable Gland
Shell Size - Insert Arrangement	See pages 22- 31
Contact Type and Plating	P = Pin Contact, S = Socket Contact 1 = Silver Plated, 2 = Gold Plated
Shell Material and Finish	F9 = Aluminium Alloy, Anodize Hardcoat
Alternate Key Position	X, Y, Z, W (See Table on page 32) Omit for normal position
Cable Range	A, B, C (See Table next page)



Dimensions															
Shell Size	A2	B	D2	E2		Backshell Thread for Ex Gland	F2	H	K1	K2	K5	L2	M	N	O
				Min.	Max.										
10SL	138	22.8	*	6.0	20.50	M20x1.5 M16x1.5	*	37	41	24	34	88.3	26	25	46
14S	159.8	20.7	*	6.0	20.50	M20x1.5 M16x1.5	*	35	45	26	32	109.3	30	28	49
16	190.3	20.9	*	6.0	20.50	M20x1.5 M16x1.5	*	40	49	32	37	133.6	34	34	54
18	190.5	20.9	*	6.0	26.0	M25x1.5 M20x1.5 M16x1.5	*	49.5	52	36	40	134	38	38,2	59
28	220.5	21.6	*	16.9	41.0	M40x1.5 M32x1.5 M25x1.5 M20x1.5 M16x1.5	*	64	65	48	55	164	52	54	72
36	241	21.6	*	22.0	52.60	M50x1.5 M40x1.5 M32x1.5 M25x1.5 M20x1.5 M16x1.5	*	77	78	61	68	184	65	63,5	88

(*) Dimension varies according to Ex Cable Gland.

Hazardous Zone In-Line Receptacle

with Ex cable gland



Cable Range Dimensions for Ex Cable Gland							
Shell Size	Cable Range Designator	Cable Type	Ex Gland Thread	Cable outer sheath range [mm]	Cable inner sheath range [mm]	Armor Range with Clamping Ring	
36	A	Unarmored cable	M50x1.5	28 to 41			
	B		M40x1.5	22 to 33			
	C		M32x1.5	16,90 to 26			
	D		M25x1.5	12,50 to 20,50			
	E		M20x1.5	9 to 16			
	F		M20x1.5	6 to 12			
	G		M16x1.5	6 to 12			
	A1	Armored Cable	M50x1.5	36 to 52,60	28,90 to 44,40	0 to 1,0 and 1,5 to 2,5	
	B1		M40x1.5	28 to 41	22 to 33	0 to 0,7 and 1,3 to 2,0	
	C1		M32x1.5	22 to 33		0 to 0,7 and 1,3 to 2,0	
	D1		M25x1.5	16,90 to 26		0 to 0,7 and 0,9 to 1,6	
	E1		M25x1.5	12,50 to 20,50		0 to 0,7 and 0,7 to 1,4	
	F1		M20x1.5	12,50 to 20,50		0 to 0,7 and 0,7 to 1,4	
	G1		M20x1.5	9 to 16		0 to 0,7 and 0,7 to 1,25	
H1	M20x1.5	6 to 12		0 to 0,7 and 0,7 to 1,25			
I1	M16x1.5	6 to 12		0 to 0,7 and 0,7 to 1,25			
28	A	Unarmored cable	M40x1.5	22 to 33			
	B		M32x1.5	16,90 to 26			
	C		M25x1.5	12,50 to 20,50			
	D		M20x1.5	9 to 16			
	E		M20x1.5	6 to 12			
	F		M16x1.5	6 to 12			
	A1		Armored Cable	M40x1.5	28 to 41	22 to 33	0 to 0,7 and 1,3 to 2,0
	B1	M32x1.5		22 to 33	16,90 to 26	0 to 0,7 and 1,3 to 2,0	
	C1	M25x1.5		16,90 to 26	12,50 to 20,50	0 to 0,7 and 0,9 to 1,6	
	D1	M25x1.5		12,50 to 20,50	9 to 14	0 to 0,7 and 0,7 to 1,4	
	E1	M20x1.5		12,50 to 20,50	9 to 14	0 to 0,7 and 0,7 to 1,4	
	F1	M20x1.5		9 to 16	6 to 12	0 to 0,7 and 0,7 to 1,25	
	G1	M20x1.5		6 to 12	3 to 8,1	0 to 0,7 and 0,7 to 1,25	
	H1	M16x1.5	6 to 12	3 to 8,1	0 to 0,7 and 0,7 to 1,25		
18	A	Unarmored cable	M25x1.5	12,50 to 20,50			
	B		M20x1.5	9 to 16			
	C		M20x1.5	6 to 12			
	D		M16x1.5	6 to 12			
	A1	Armored Cable	M25x1.5	16,90 to 26	12,50 to 20,50	0 to 0,7 and 0,9 to 1,6	
	B1		M25x1.5	12,50 to 20,50	9 to 14	0 to 0,7 and 0,7 to 1,4	
	C1		M20x1.5	12,50 to 20,50	9 to 14	0 to 0,7 and 0,7 to 1,4	
	D1		M20x1.5	9 to 16	6 to 12	0 to 0,7 and 0,7 to 1,25	
	E1		M20x1.5	6 to 12	3 to 8,1	0 to 0,7 and 0,7 to 1,25	
	F1		M16x1.5	6 to 12	3 to 8,1	0 to 0,7 and 0,7 to 1,25	
16	A	Unarmored cable	M20x1.5	9 to 16			
	B		M20x1.5	6 to 12			
	C		M16x1.5	6 to 12			
	14S 10SL	A1	Armored Cable	M20x1.5	12,50 to 20,50	9 to 14	0 to 0,7 and 0,7 to 1,4
		B1		M20x1.5	9 to 16	6 to 12	0 to 0,7 and 0,7 to 1,25
		C1		M20x1.5	6 to 12	3 to 8,1	0 to 0,7 and 0,7 to 1,25
		D1		M16x1.5	6 to 12	3 to 8,1	0 to 0,7 and 0,7 to 1,25