

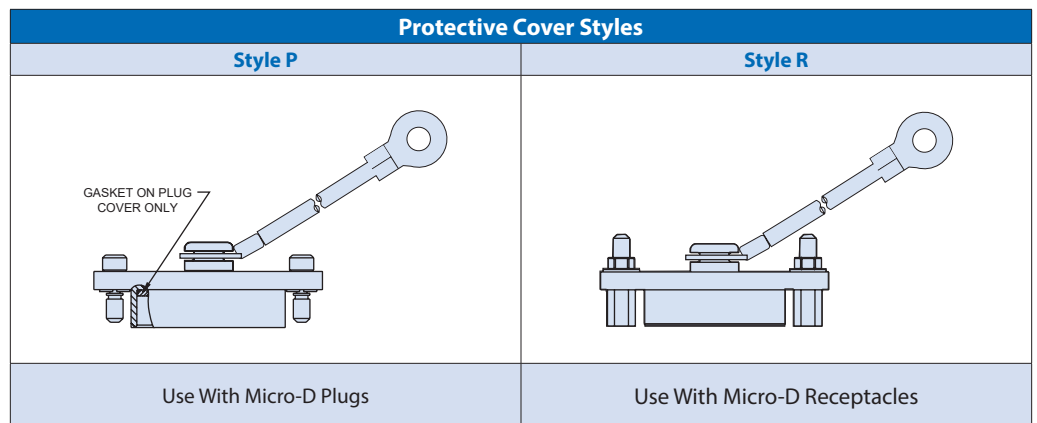
## 500-148 Dust Covers for High-Speed Micro-D connectors



Dust Cover for High-Speed Micro-D connector

		How To Order									
Sample Part Number		500-148	M	25	P	B	T	N	-110	-513	
Series	500-148 = Dust Covers for Glenair High-Speed Micro-D Plug or Receptacle										
Shell Finish	M = Electroless Nickel Z2 = Gold Plate										
Shell Size	9, 15, 21, 25, 31, 37, 51-2, 67										
Style	P = Dust Cover for Plug R = Dust Cover for Receptacle										
Hardware Type	B - No Hardware (Ø.093) M - Hexhead Jackscrew S - Slotted Jackscrew P - Female Jackpost M1 - Extended Hexhead Jackscrew S1 - Extended Slotted Jackscrew L - Hexhead Non-Removable Jackscrew K - Extended Non-Removable Jackscrew										
Attachement Type	F - Wire Rope, Nylon Jacket H - Wire Rope, Fluoropolymer Jacket N - No Lanyard Attachment NB - No Lanyard Or Attachment Boss R - Wire Rope, PVC Jacket T - Wire Rope, No Jacket G - Flexible Nylon Rope										
Attachment Length	Length in One Inch Increments; Example: "6" equals six inches.										
Attachment Diameter (I.D. of Ring Terminal)	01 - .140 (3.6)	02 - 0.182	03 - 0.191								
	04 - .197 (5.0)	05 - .167 (4.2)	06 - .125 (3.2)								

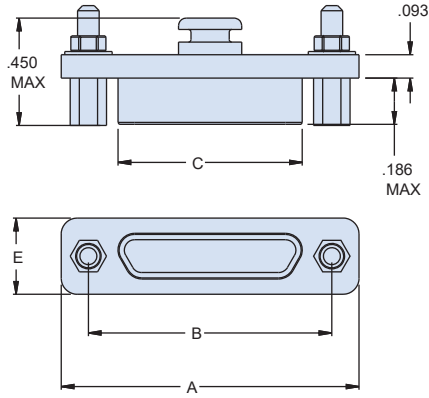
500-148 DUST COVERS



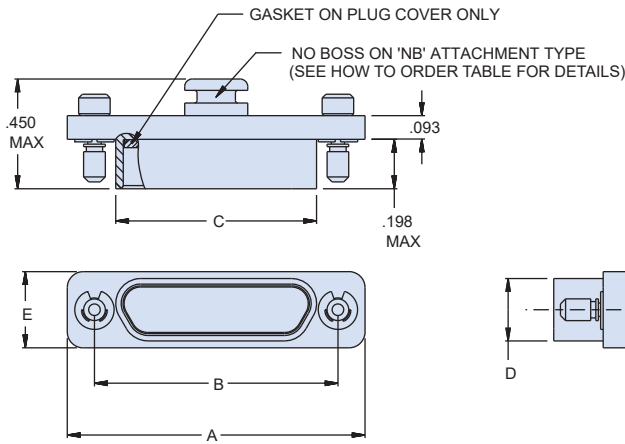
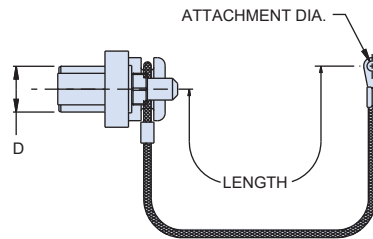
500-148 Dust Cover for High-Speed Micro-D connectors

500-148 DUST COVERS

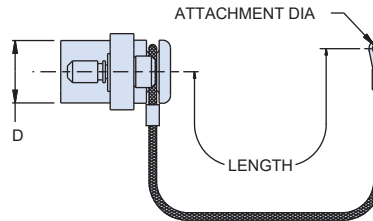
Table II: Dimensions



**Style R**  
Dust Cover For Receptacle



**Style P**  
Dust Cover For Plug



Layout	A Max	B ±.003	C Max	D Max	E Max
9R	.785 (19.94)	.565 (14.35)	.333 (8.46)	.184 (4.67)	.308 (7.82)
9P	.785 (19.94)	.565 (14.35)	.400 (10.16)	.250 (6.35)	.308 (7.82)
15R	.935 (23.75)	.715 (18.16)	.483 (12.27)	.184 (4.67)	.308 (7.82)
15P	.935 (23.75)	.715 (18.16)	.551 (14.00)	.250 (6.35)	.308 (7.82)
21R	1.085 (27.56)	.865 (21.97)	.633 (16.08)	.184 (4.67)	.308 (7.82)
21P	1.085 (27.56)	.865 (21.97)	.701 (17.81)	.250 (6.35)	.308 (7.82)
25R	1.185 (30.10)	.965 (24.51)	.733 (18.62)	.184 (4.67)	.308 (7.82)
25P	1.185 (30.10)	.965 (24.51)	.801 (20.35)	.250 (6.35)	.308 (7.82)
31R	1.335 (33.91)	1.115 (28.32)	.883 (22.43)	.184 (4.67)	.308 (7.82)
31P	1.335 (33.91)	1.115 (28.32)	.951 (24.16)	.250 (6.35)	.308 (7.82)
37R	1.485 (37.72)	1.265 (32.13)	1.033 (26.24)	.184 (4.67)	.308 (7.82)
37P	1.485 (37.72)	1.265 (32.13)	1.101 (27.97)	.250 (6.35)	.308 (7.82)
51R	1.435 (36.45)	1.215 (30.86)	.983 (24.97)	.228 (5.79)	.351 (8.92)
51P	1.435 (36.45)	1.215 (30.86)	1.051 (26.70)	.296 (7.52)	.351 (8.92)
51-2R	1.835 (46.61)	1.615 (41.02)	1.384 (35.15)	.184 (4.67)	.308 (7.82)
51-2P	1.835 (46.61)	1.615 (41.02)	1.450 (36.83)	.250 (6.35)	.308 (7.82)
67R	2.235 (56.77)	2.015 (51.18)	1.784 (45.31)	.184 (4.67)	.310 (7.87)
67P	2.235 (56.77)	2.015 (51.18)	1.850 (46.99)	.250 (6.35)	.310 (7.87)
69R	1.735 (44.07)	1.515 (38.48)	1.284 (32.61)	.228 (5.79)	.351 (8.92)
69P	1.735 (44.07)	1.515 (38.48)	1.350 (34.29)	.296 (7.52)	.351 (8.92)