



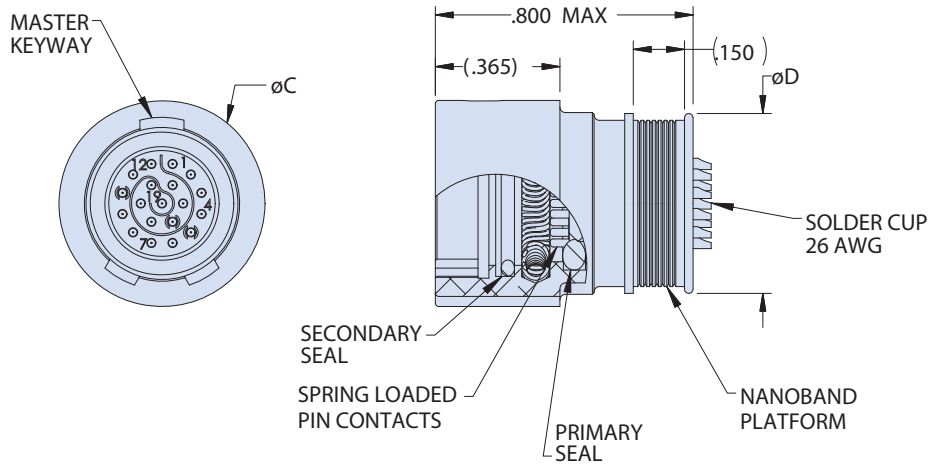
SERIES 86 SealTac Tactical Push-Pull Connectors

860-051-01 spring contact push-pull in-line receptacle

MIGHTY MOUSE SEALTAC



How To Order	
Sample Part Number	860-051 -01 ME 08-19 A
Series	860-051 = spring contact push-pull in-line receptacle
Shell Style	-01 = In-Line Receptacle
Material / Finish	ME = Aluminum Electroless Nickel ZR = Aluminum / Black Zinc Nickel Z1 = 316 Stainless Steel / Passivated
Shell Size - Insert Arrangement	06-7, 07-10, 08-19 (See Table)
Key Position	A = Normal B = Pos. B C = Pos. C D = Pos. D E = Pos. E F = Pos. F



Dimensions		
Shell Size/ Ins. Arr.	ØC Max	ØD
06-7	.500 (12.7)	.41 (10.4)
07-10	.545 (13.8)	.45 (11.4)
08-19	.625 (15.9)	.53 (13.5)

Shell Size / Contact Arrangements		
06-7 shell size 6, 7 contacts	07-10 shell size 7, 10 contacts	08-19 shell size 8, 19 contacts

MATERIAL / FINISH

- Insulator: high-temperature thermoplastic
- O-ring: fluorosilicone
- Contacts: Copper alloy, gold over nickel plated
- Contact spring: stainless steel

TECHNICAL SPECIFICATIONS

- Temperature range -55°C to +125°C
- DWV: 500 VAC
- Current: 2A max
- Water immersion: 30 PSI / IP68 mated