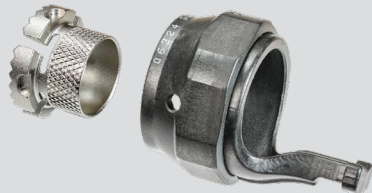


Series 806 Mil-Aero Connectors



457V*048 Composite EMI/RFI Qwik-Ty® Strain Relief



Low profile. Light weight. Band-Master ATS® shield termination. Self-locking.

Next-generation Qwik-Ty® features high-strength composite construction plus EMI shielding. Available in straight, 45° or 90° versions. Terminate cable shield to plated brass shield termination adapter using Band-Master ATS® strap and hand tool. Attach wire bundle to arm with MS3367-type nylon tie strap (not supplied). Optional rubber pad provides wire cushioning. Slots in shield adapter accept individual shields.

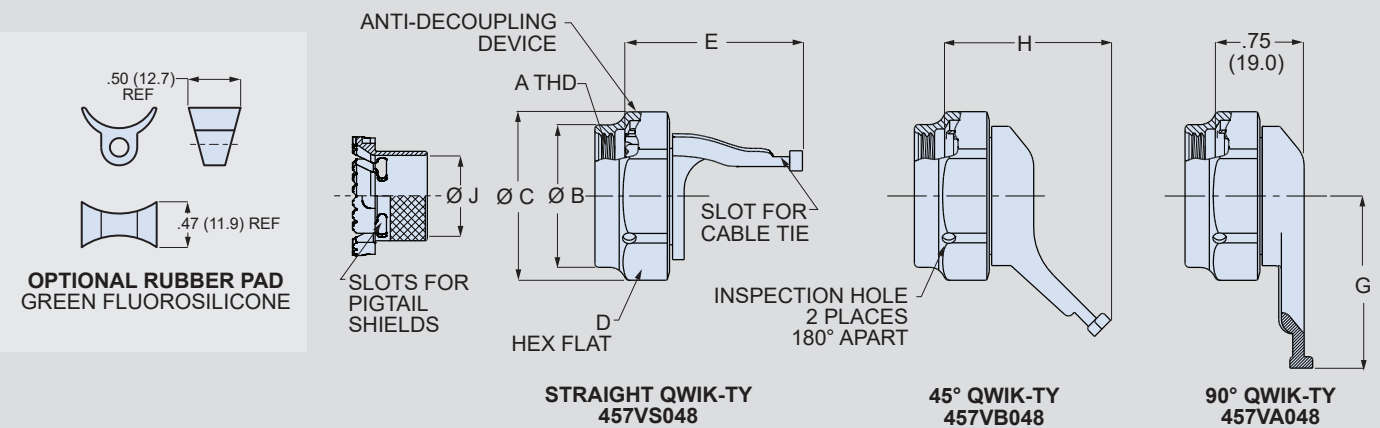
Specifications

- Operating temperature: -65° to +200°C (Finish code BN is +175°C)
- Salt spray (corrosion): 2000 hours

Construction

- Drop-in EMI adapter: brass, see ordering info for finish options
- Coupling nut, Qwik-Ty body: high grade engineering thermoplastic, no plating, black
- Anti-decoupling device: high grade engineering thermoplastic
- Shield termination strap: 300 series stainless steel, passivated (not supplied)
- Pad: green fluorosilicone

How To Order			
SAMPLE PART NUMBER	457VS048	BM	16
Product	457VS048 = Straight 457VB048 = 45° 457VA048 = 90°		
Finish	BM = Electroless nickel BMT = Nickel/PTFE BN = Olive drab cadmium BZR = Black zinc-nickel		
Shell Size	07 08 09 10 11 12 14 16 18 20 22 24		
Optional Rubber Pad	Omit for no rubber pad. P = Supplied with rubber pad (687-038)		



Band Strap

Band strap is purchased separately.



Micro Band Strap Hand Tool

601-101

Micro Band Ordering Information

Length		Part Number	Max Diameter	
in.	mm.		in.	mm.
5.0	127	601-025	.50	12.7
8.0	203	601-061	.88	22.4
14.0	356	601-065	1.88	47.8

Dimensions

Shell Size	A ISO Metric Thread	øB Max.	øC Max.	D Hex	E Max.	G Max.	H Max.	J
09	M12 x 1.0-6H	.65 (16.51)	.86 (21.84)	.75 (19.05)	1.28 (32.51)	1.22 (30.99)	1.14 (28.96)	.178 (4.52)
10	M14 x 1.0-6H	.77 (19.56)	.98 (24.89)	.88 (22.35)	1.28 (32.51)	1.29 (32.77)	1.14 (28.96)	.295 (7.49)
11	M15 x 1.0-6H	.77 (19.56)	.98 (24.89)	.88 (22.35)	1.28 (32.51)	1.29 (32.77)	1.14 (28.96)	.305 (7.75)
12	M17 x 1.0-6H	.89 (22.61)	1.16 (29.46)	1.00 (25.40)	1.44 (36.58)	1.62 (41.15)	1.14 (28.96)	.394 (10.01)
14	M19 x 1.0-6H	1.03 (26.16)	1.28 (32.51)	1.13 (28.70)	1.51 (38.35)	1.66 (42.16)	1.64 (41.66)	.472 (11.99)
16	M22 x 1.0-6H	1.03 (26.16)	1.28 (32.51)	1.13 (28.70)	1.51 (38.35)	1.66 (42.16)	1.64 (41.66)	.565 (14.35)
18	M25 x 1.0-6H	1.15 (29.21)	1.41 (35.81)	1.25 (31.75)	1.51 (38.35)	1.72 (43.69)	1.64 (41.66)	.658 (16.71)
20	M28 x 1.0-6H	1.28 (32.51)	1.52 (38.61)	1.38 (35.05)	1.57 (39.88)	1.72 (43.69)	1.74 (44.20)	.777 (19.74)
22	M31 x 1.0-6H	1.41 (35.81)	1.64 (41.66)	1.50 (38.10)	1.71 (43.43)	1.79 (45.47)	1.74 (44.20)	.873 (22.17)
24	M34 x 1.0-6H	1.53 (38.86)	1.77 (44.96)	1.63 (41.40)	1.83 (46.48)	1.85 (46.99)	1.74 (44.20)	.997 (25.32)