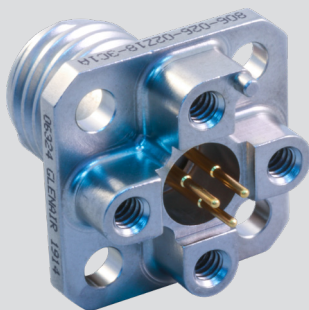


# Series 806 Mil-Aero Connectors

## 806-026 Hermetic PC Tail Receptacle with Threaded Standoff



### Features

- Glass-to-metal seal
- Non-removable PC tail contacts
- Threaded holes for attaching to printed circuit boards
- High density #20HD and #22HD arrangements for reduced size and weight plus size #16, 12, and #8 standard and hybrid layouts
- Aerospace-grade materials, construction

### Specifications

- Operating temperature: -65°C to +200°C
- Leak Rate: 1E-7 cm<sup>3</sup>/s at 1 ATM pressure differential
- Dielectric withstanding voltage  
#22HD contacts: 1300 VAC  
#20HD contacts: 1800 VAC  
#16 contacts: contact factory  
#12 contacts: contact factory  
#8 contacts: contact factory
- Shell-to-Shell Conductivity: 10 mV max.
- Mating durability: 500 cycles
- Mechanical shock: EIA-364-27, 300g.
- Vibration (sine): MIL-DTL-38999M, 60g.
- Vibration (random) EIA-364-28 Condition VI, Letter J, 43.92 Grms, +200°C
- High Impact shock: MIL-S-901 Grade A
- Indirect Lightning Strike: EIA-364-75 Type B Level 2 10kA Peak

### Connector Construction

- Shell and jam-nut: 316L CRES
- Hermetic contacts: nickel-iron alloy, gold plated
- Socket contacts: copper alloy, gold plated
- Insulator, hermetic: vitreous glass
- Interfacial seal, peripheral seal, O-ring: fluorosilicone
- Insulator, socket: high grade rigid dielectric

Series 806 hermetic receptacles feature stainless steel shells and glass-to-metal seals. Rated for -65°C to +200°C temperature range. Micro miniature Series 806 connectors save size and weight compared to legacy aerospace-grade circular hermetic connectors. These high performance, parylene compatible connectors are suitable for use on pressurized bulkheads and vacuum chamber applications subject to vibration, moisture, and temperature extremes. Equipped with low-profile, threaded standoff with gold-plated PC tail contacts.

How To Order	
SAMPLE PART NUMBER	806-026
Product	806-026 = Hermetic Receptacle, PC Tails, Threaded Standoff
Mounting Type	02 = Square Flange 07 = Jam-nut
Shell Finish	Z1 = Passivated ZL = Nickel Plated
Shell Size - Insert Arr.	See Table 1
Contact Type	C = Pin, PC Terminal D = Socket, PC Terminal
PC Tail Length	1 = .125" (3.18 mm.) 2 = .250" (6.35 mm.)
Polarizing Position	A B C D E F; (See Page 7)

Please visit the hermetic catalog for a complete offering of our connectors.

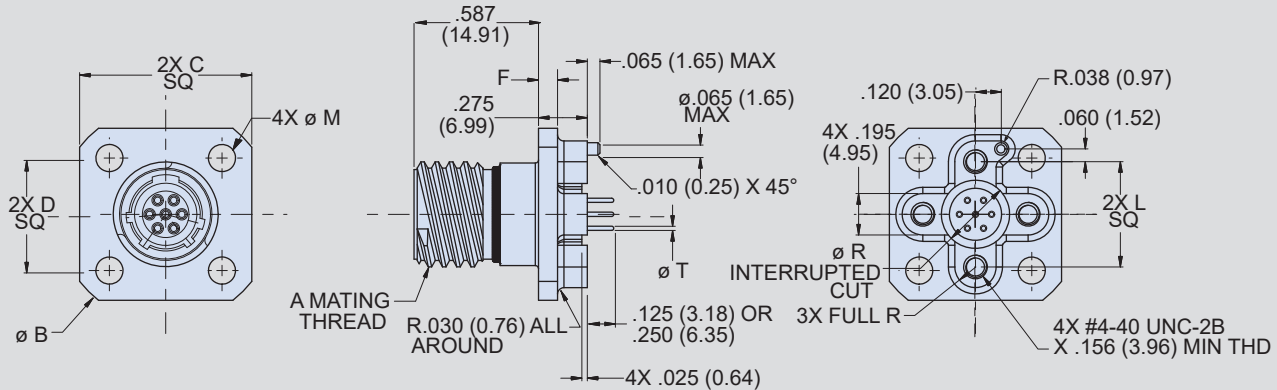
Table I: Shell Size - Insert Arrangement																	
Contact Layout	Number of Contacts					Contact Layout	Number of Contacts					Contact Layout	Number of Contacts				
	22HD	20HD	16	12	8		22HD	20HD	16	12	8		22HD	20HD	16	12	8
7-3	3					22-69		69				16-2					2
8-4	4					24-92		92				18-3					3
8-7	7					8-1			1			20-4					4
9-11	11					10-2			2			22-5					5
10-15	15					11-4			4			24-8					8
11-19	19					12-5			5			10-8A	6		2		
12-26	26					14-7			7			11-13	11		2		
14-39	39					16-12			12			12-27	26		1		
16-60	60					18-15			15			14-21	17		4		
18-85	85					20-22			22			16-41	37		4		
20-110	110					22-24			24			18-59	55		4		
22-140	140					24-35			35			11-14	13			1	
24-186	186					9-1				1		12-14	12			2	
8-3		3				12-2				2		14-22	20			2	
9-5		5				14-3				3		12-14	12			2	
10-8		8				16-4				4		16-42	40			2	
11-10		10				16-7				7		18-62	60			2	
12-15		15				18-8				8		14-20A	19				1
14-20		20				20-11				11		16-22	20				2
16-31		31				22-13				13		18-21	18				3
18-41		41				24-19				19		20-28	24				4
20-55		55				10-1					1	22-44	40				4
												24-97	93				4

# Series 806 Mil-Aero Connectors



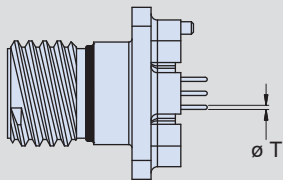
## 806-026 Hermetic Receptacles, PC Tails, Threaded Standoff

### 806-026-02 Square Flange Receptacle Dimensions



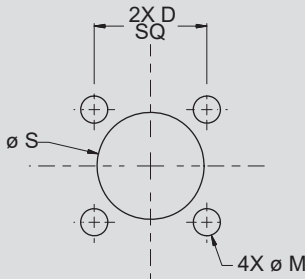
Shell Size	A Mating Thread	$\phi B$ Max. Flange	C Max Flange Flts	D SQ BSC Mntg Holes	F Max Flange	L Board Mntg	$\phi M$ Thru Mntg Holes	$\phi R$ $\pm .015$ (.38)	$\phi S$ Thru
7	.4375-.067P-.2L-TS-2A	.968 (24.59)	.750 (19.05)	.469 (11.91)	.100 (2.54)	.489 (12.42)	.128 (3.25)	.259 (6.58)	.450 (11.43)
8	.5000-.067P-.2L-TS-2A	1.040 (26.42)	.822 (20.88)	.531 (13.49)	.100 (2.54)	.534 (13.56)	.128 (3.25)	.325 (8.25)	.509 (12.93)
9	.5625-.067P-.2L-TS-2A	1.130 (28.70)	.885 (22.48)	.594 (15.09)	.100 (2.54)	.579 (14.71)	.128 (3.25)	.405 (10.29)	.577 (14.66)
10	.6250-.067P-.2L-TS-2A	1.174 (29.82)	.913 (23.19)	.625 (15.88)	.100 (2.54)	.679 (17.25)	.128 (3.25)	.465 (11.81)	.645 (16.38)
11	.6875-.067P-.2L-TS-2A	1.240 (31.50)	.960 (24.38)	.670 (17.02)	.100 (2.54)	.734 (18.64)	.128 (3.25)	.525 (13.34)	.712 (18.08)
12	.7500-.067P-.2L-TS-2A	1.354 (34.39)	1.040 (26.42)	.765 (19.43)	.100 (2.54)	.804 (20.42)	.128 (3.25)	.595 (15.11)	.768 (19.51)
14	.8750-.067P-.2L-TS-2A	1.510 (38.35)	1.133 (28.78)	.859 (21.82)	.100 (2.54)	.891 (22.63)	.128 (3.25)	.650 (16.51)	.890 (22.61)
16	1.0000-.067P-.2L-TS-2A	1.620 (41.15)	1.242 (31.55)	.938 (23.83)	.100 (2.54)	1.049 (26.64)	.128 (3.25)	.795 (20.19)	1.015 (25.78)
18	1.1250-.067P-.2L-TS-2A	1.784 (45.31)	1.343 (34.11)	1.016 (25.81)	.100 (2.54)	1.148 (29.16)	.128 (3.25)	.920 (23.37)	1.125 (28.58)
20	1.2500-.067P-.2L-TS-2A	1.910 (48.51)	1.444 (36.68)	1.109 (28.17)	.125 (3.18)	1.252 (31.80)	.154 (3.91)	1.030 (26.16)	1.275 (32.39)
22	1.3750-.067P-.2L-TS-2A	2.083 (52.91)	1.570 (39.88)	1.203 (30.56)	.125 (3.18)	1.369 (34.77)	.154 (3.91)	1.130 (28.70)	1.400 (35.56)
24	1.5000-.067P-.2L-TS-2A	2.200 (55.88)	1.696 (43.08)	1.312 (33.32)	.125 (3.18)	1.509 (38.33)	.154 (3.91)	1.275 (32.39)	1.525 (38.73)

### PC Tail Diameters



Contact Size	$\phi T$ $\pm .002$ (0.05)
#22	.020 (0.51)
#20	.030 (0.76)
#16	.063 (1.60)
#12	.094 (2.39)
#8	.180 (4.57)

### Recommended Panel Cutout

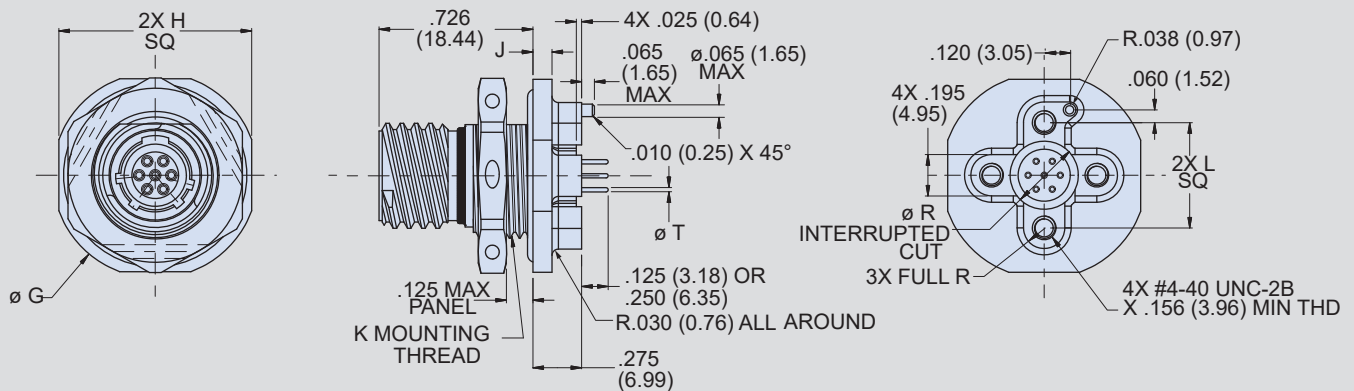


# Series 806 Mil-Aero Connectors



## 806-026 Hermetic Receptacles, PC Tails, Threaded Standoff

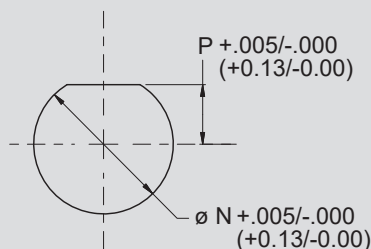
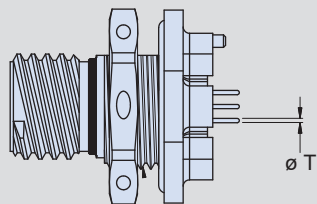
### 806-026-07 Jam-nut Receptacle Dimensions



Shell Size	A Mating Thread	G Max Flange	H Max Flange Flats	J Max Flange	K Thread Mntg	L Board Mntg	$\phi N$ Mntg Hole	P +.005/-0.000 (0.13/0.00) Mntng Flat	$\phi R$ ±.015 (0.38)
7	.4375-.067P-.2L-TS-2A	.848 (21.54)	.908 (23.06)	.100 (2.54)	M13x1.0-6g-0.100R	.489 (12.42)	.522 (13.26)	.224 (5.69)	.259 (6.58)
8	.5000-.067P-.2L-TS-2A	.980 (24.89)	.920 (23.37)	.100 (2.54)	M15x1.0-6g-0.100R	.534 (13.56)	.601 (15.27)	.256 (6.50)	.325 (8.25)
9	.5625-.067P-.2L-TS-2A	1.040 (26.42)	.980 (24.89)	.100 (2.54)	M16x1.0-6g-0.100R	.579 (14.71)	.640 (16.26)	.287 (7.29)	.405 (10.29)
10	.6250-.067P-.2L-TS-2A	1.110 (28.19)	1.050 (26.67)	.100 (2.54)	M18x1.0-6g-0.100R	.679 (17.25)	.719 (18.26)	.318 (8.08)	.465 (11.81)
11	.6875-.067P-.2L-TS-2A	1.160 (29.46)	1.110 (28.19)	.100 (2.54)	M19x1.0-6g-0.100R	.734 (18.64)	.759 (19.28)	.350 (8.89)	.525 (13.34)
12	.7500-.067P-.2L-TS-2A	1.230 (31.24)	1.170 (29.72)	.100 (2.54)	M21x1.0-6g-0.100R	.804 (20.42)	.837 (21.26)	.381 (9.68)	.595 (15.11)
14	.8750-.067P-.2L-TS-2A	1.360 (34.54)	1.320 (33.53)	.100 (2.54)	M24x1.0-6g-0.100R	.891 (22.63)	.955 (24.26)	.443 (11.25)	.650 (16.51)
16	1.0000-.067P-.2L-TS-2A	1.515 (38.48)	1.444 (36.68)	.100 (2.54)	M27x1.0-6g-0.100R	1.049 (26.64)	1.073 (27.25)	.505 (12.83)	.795 (20.19)
18	1.1250-.067P-.2L-TS-2A	1.610 (40.89)	1.570 (39.88)	.100 (2.54)	M30x1.0-6g-0.100R	1.148 (29.16)	1.192 (30.28)	.568 (14.43)	.920 (23.37)
20	1.2500-.067P-.2L-TS-2A	1.850 (46.99)	1.760 (44.70)	.128 (3.25)	M34x1.0-6g-0.100R	1.252 (31.80)	1.349 (34.26)	.630 (16.00)	1.030 (26.16)
22	1.3750-.067P-.2L-TS-2A	2.010 (51.05)	1.913 (48.59)	.128 (3.25)	M37x1.0-6g-0.100R	1.369 (34.77)	1.467 (37.26)	.693 (17.60)	1.130 (28.70)
24	1.5000-.067P-.2L-TS-2A	2.195 (55.75)	2.070 (52.58)	.128 (3.25)	M41x1.0-6g-0.100R	1.509 (38.33)	1.624 (41.25)	.755 (19.18)	1.275 (32.39)

### PC Tail Diameters

### Recommended Panel Cutout



Contact Size	$\phi T$ ±.002 (0.05) In.
#22	.020 (0.51)
#20	.030 (0.76)
#16	.063 (1.60)
#12	.094 (2.39)
#8	.180 (4.57)