

ENVIRONMENTAL, MICRO MINIATURE CIRCULAR

Series 806

Mil-Aero Connectors

Size 8 Quadrax Pin and Socket Contacts



Pin Contact



Socket Contact

Quadrax Contacts. Popular quadrax contacts are well suited for high speed solutions applications such as Gigabit Ethernet, IEEE 802.3Z, and IEEE1394B FireWire-110 Ohm. Crimp termination.

Table I: Contact Part Numbers and Cables Accommodated

PART NUMBER		CABLES ACCOMMODATED	REF CABLE OD	"A" HEX
PIN	SOCKET			
854-047-01F	854-048-01F	TENSOLITE NF26Q100	.137 (3.48)	.218 (5.54)
854-047-02F	854-048-02F	TENSOLITE NF24Q100, PIC E51424	.163 (4.14)	.218 (5.54)
854-047-03F	854-048-03F	DRAKA FILECA F 4704-6	.153 (3.89)	.218 (5.54)
854-047-04F	854-048-04F	DRAKA FILECA F 4704-4	.175 (4.44)	.218 (5.54)
854-047-05F	854-048-05F	TENSOLITE NF22Q100	.190 (4.83)	.231 (5.87)

Specifications

- Operating temperature: -65°C to +200°C
- Differential Impedance: 100 Ohms nominal
- Dielectric withstanding voltage: 500 VRMS
- Insulation resistance: 5000 megohms min at 200 VDC

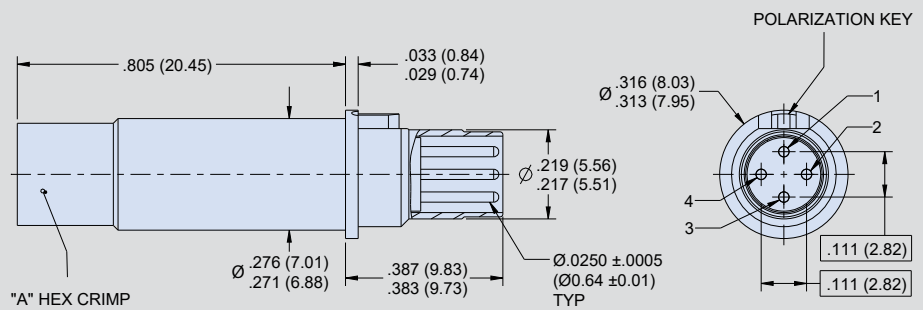
Construction

- Contact CODY: Copper alloy / gold plated
- Inner Contact: Copper alloy / gold plated
- Crimp Ferrule: Brass or equivalent / gold plated
- Insulator: Teflon, ultem series 1000 or equivalent
- Grommet follower: see separate drawing

Termination Tools

- Dash No. -1 thru -5:
- Inner contact crimp tool: M22520/2-01
- Inner contact positioner: M22520/2-37.
- Outer contact crimp tool: M22520/5-01
- Outer contact hex die: M22520/5-45

Pin Contact 854-047



Socket Contact 854-048

