

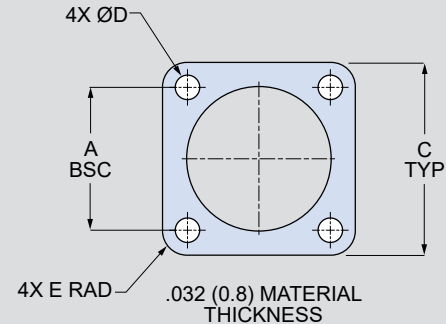
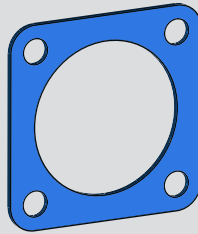
Series 806 Mil-Aero Connectors



930-017 Panel Gaskets, 600-221 Connector Holding Tools

PANEL GASKETS FOR SERIES 806 SQUARE FLANGE RECEPTACLES

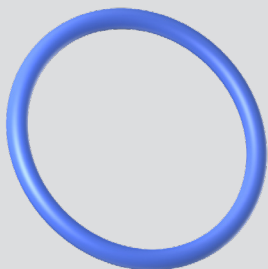
These flange gaskets provide sealing between square flange receptacles and the mounting panel. Choose fluorosilicone, Viton®, silver-plated aluminum-filled silicone (MIL-DTL-83528 Type B) or passivated silver-plated aluminum-filled fluorosilicone (MIL-DTL-83528 Type D).



Shell Size	Non-Conductive Elastomer		Conductive Elastomer		DIMENSIONS									
	Fluorosilicone	Viton®	Silicone MIL-DTL-83528 Type B	Fluorosilicone MIL-DTL-83528 Type D	A BSC		Ø B		C		D		E RAD	
					In.	mm.	In.	mm.	In.	mm.	In.	mm.	In.	mm.
7	930-017F-12	930-017V-12	930-017C-12	930-017X-12	.469	11.9	.453	11.5	.743	18.9	.131	3.33	.130	3.30
8	930-017F-1	930-017V-1	930-017C-1	930-017X-1	.531	13.49	.515	13.08	.815	20.70	.131	3.33	.130	3.30
9	930-017F-2	930-017V-2	930-017C-2	930-017X-2	.594	15.09	.582	14.78	.878	22.30	.131	3.33	.130	3.30
10	930-017F-3	930-017V-3	930-017C-3	930-017X-3	.625	15.88	.650	16.51	.906	23.01	.131	3.33	.130	3.30
11	930-017F-4	930-017V-4	930-017C-4	930-017X-4	.670	17.02	.717	18.21	.953	24.21	.131	3.33	.130	3.30
12	930-017F-5	930-017V-5	930-017C-5	930-017X-5	.765	19.43	.773	19.63	1.031	26.19	.131	3.33	.130	3.30
14	930-017F-6	930-017V-6	930-017C-6	930-017X-6	.859	21.82	.895	22.73	1.126	28.60	.131	3.33	.090	2.29
16	930-017F-7	930-017V-7	930-017C-7	930-017X-7	.938	23.83	1.020	25.91	1.220	30.99	.157	3.99	.130	3.30
18	930-017F-8	930-017V-8	930-017C-8	930-017X-8	1.016	25.81	1.130	28.70	1.311	33.30	.157	3.99	.090	2.29
20	930-017F-9	930-017V-9	930-017C-9	930-017X-9	1.109	28.17	1.280	32.51	1.437	36.50	.157	3.99	.130	3.30
22	930-017F-10	930-017V-10	930-017C-10	930-017X-10	1.203	30.56	1.405	35.69	1.563	39.70	.157	3.99	.130	3.30
24	930-017F-11	930-017V-11	930-017C-11	930-017X-11	1.312	33.32	1.530	38.86	1.689	42.90	.157	3.99	.180	4.57

O-RINGS FOR SERIES 806 JAM-NUT RECEPTACLES

Replace damaged O-rings with standard mil spec fluorosilicone O-rings or, for added EMI protection, select O-rings made of silver-plated aluminum-filled silicone (MIL-DTL-83528 Type B) or passivated silver-plated aluminum-filled fluorosilicone (MIL-DTL-83528 Type D).



Shell Size	Size (ID x W)	Fluorosilicone (Non-conductive)	MIL-DTL-83528 Type B Conductive Silicone	MIL-DTL-83528 Type D Conductive Fluorosilicone
7	.489 x .055	809-521-07F	249-003-806-07-B	249-003-806-07-C
8	.676 x .070	M25988/3-017	249-003-806-08-B	249-003-806-08-C
9	.739 x .070	M25988/3-018	249-003-806-09-B	249-003-806-09-C
10	.801 x .070	M25988/3-019	249-003-806-10-B	249-003-806-10-C
11	.864 x .070	M25988/3-020	249-003-806-11-B	249-003-806-11-C
12	.926 x .070	M25988/3-021	249-003-806-12-B	249-003-806-12-C
14	1.051 x .070	M25988/3-023	249-003-806-14-B	249-003-806-14-C
16	1.176 x .070	M25988/3-025	249-003-806-16-B	249-003-806-16-C
18	1.301 x .070	M25988/3-027	249-003-806-18-B	249-003-806-18-C
20	1.424 x .103	M25988/3-127	249-003-806-20-B	249-003-806-20-C
22	1.549 x .103	M25988/3-129	249-003-806-22-B	249-003-806-22-C
24	1.737 x .103	M25988/3-132	249-003-806-24-B	249-003-806-24-C