

QPL QUALIFIED

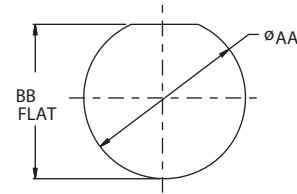
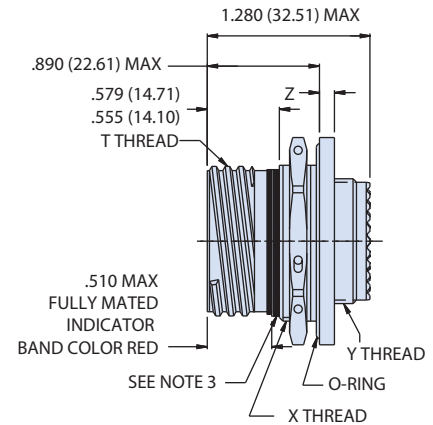
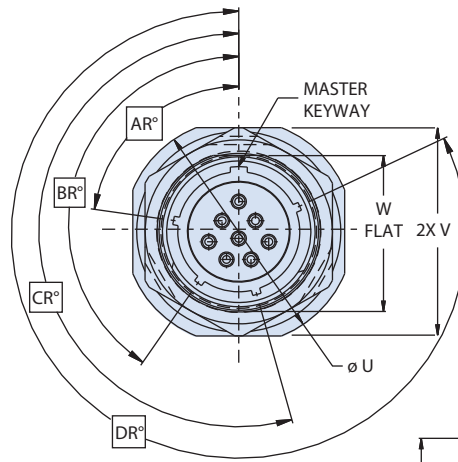
MIL-DTL-38999 Series III, Triple-Start Thread

D38999/24 jam-nut receptacle with rear release crimp contacts and accessory threads



SERIES III ENVIRONMENTAL

QPL Part Number Development						
Sample Part Number	D38999/24	W	A	35	P	N
D38999 Series III	D38999/24 = Jam-Nut receptacle					
Class	<p>W = Environmental, aluminum, cadmium O.D. over electroless nickel (500 hour salt spray), -65°C to +175°C, conductive plating</p> <p>F = Environmental, aluminum, electroless nickel (48 hour salt spray), -65°C to +200°C, conductive plating</p> <p>G = Environmental, aluminum, electroless nickel (48 hour salt spray), matte finish, space grade, -65°C to +200°C, conductive plating</p> <p>T = Environmental, aluminum, Nickel-PTFE, -65°C to +175°C, conductive plating</p>					
Shell Size Code	A, B, C, D, E, F, G, H and J (per MIL-STD-1560)					
Insert Arrangement	Per MIL-STD-1560; See reference information section for details					
Contact Type	P = Pin, 500 cycles S = Socket, 500 cycles		A = Pin insert, less standard contacts B = Socket insert, less standard contacts			
Alternate Polarization	A, B, C, D, E, N = Normal					



RECOMMENDED PANEL CUT OUT

Series III Alternate Keyway Polarizations																				
Shell Size Code	Shell Size	Key and Keyway ID Letter	AR° BSC	BR° BSC	CR° BSC	DR° BSC	Shell Size Code	Shell Size	Key and Keyway Code	AR° BSC	BR° BSC	CR° BSC	DR° BSC	Shell Size Code	Shell Size	Key and Keyway ID Letter	AR° BSC	BR° BSC	CR° BSC	DR° BSC
A	9	N	105	140	215	265	B C D	11 13 15	N	95	141	208	236	E F G H J	17 19 21 23 25	N	80	142	196	293
		A	102	132	248	320			A	113	156	182	292			A	135	170	200	310
		B	80	118	230	312			B	90	145	195	252			B	49	169	200	244
		C	35	140	205	275			C	53	156	220	255			C	66	140	200	257
		D	64	155	234	304			D	119	146	176	298			D	62	145	180	280
		E	91	131	197	240			E	51	141	184	242			E	79	153	197	272



233-105-24 jam-nut receptacle with rear release crimp contacts and rear accessory options

SERIES III ENVIRONMENTAL

COTS Part Number Development							
Sample Part Number	233-105-24	MA	11	-35	P	N	186T
Series / Basic Part No.	233-105-24 = Environmental, jam-nut receptacle						
Material/Finish	NF = Aluminum, cadmium O.D. over electroless nickel (500 hour salt spray), -65°C to +175°C, conductive plating ME = Aluminum, electroless nickel (48 hour salt spray), -65°C to +200°C, conductive plating MA* = Aluminum, electroless nickel (48 hour salt spray), matte finish, space grade, -65°C to +200°C, conductive plating MT = Aluminum, nickel-PTFE, -65°C to +175°C, conductive plating						
Shell Size	9, 11, 13, 15, 17, 19, 21, 23, 25						
Insert Arrangement	Per MIL-STD-1560; See reference information section for details						
Contact Type	P = Pin insert A = Pin gender, less contacts S = Socket insert B = Socket gender, less contacts						
Alternate Polarization	A, B, C, D, E, N (Normal), U (Universal)						
Optional Mod Codes	LC = Less contacts 186T = Thermal vacuum outgassing						

* Connectors must be ordered with "MA" finish and modification code "-186T" to conform to the thermal vacuum outgassing requirements of Class G. Additional material/finish options are available, consult factory for ordering information.

Dimensions										
Shell Size Code	Shell Size	T Thread .1P-.3L-TS-2A	Ø U	V	W Flat	X Thread 1.0-6g 0.100R	Y Thread 1.0-6g 0.100R	Z	Panel Cut-out	
									ØAA	BB Flat
A	09	.6250	1.201 (30.51) 1.177 (29.90)	1.079 (27.41) 1.047 (26.59)	.655 (16.64) .645 (16.38)	M17	M12	.122 (3.10) .083 (2.11)	.703 (17.86) .693 (17.60)	.661 (16.79) .655 (16.64)
B	11	.7500	1.386 (35.20) 1.362 (34.59)	1.268 (32.21) 1.236 (31.39)	.755 (19.18) .745 (18.92)	M20	M15		.835 (21.21) .825 (20.96)	.771 (19.58) .761 (19.33)
C	13	.8750	1.512 (38.40) 1.488 (37.80)	1.390 (35.31) 1.358 (34.49)	.942 (23.93) .932 (23.67)	M25	M18		1.020 (25.91) 1.010 (25.65)	.955 (24.26) .945 (24.00)
D	15	1.0000	1.638 (41.61) 1.614 (41.00)	1.516 (38.51) 1.484 (37.69)	1.066 (27.08) 1.056 (26.82)	M28	M22	.153 (3.89) .114 (2.90)	1.145 (29.08) 1.135 (28.83)	1.085 (27.56) 1.075 (27.30)
E	17	1.1875	1.764 (44.81) 1.740 (44.20)	1.642 (41.71) 1.610 (40.89)	1.191 (30.25) 1.181 (30.00)	M32	M25		1.270 (32.26) 1.260 (32.00)	1.210 (30.73) 1.200 (30.48)
F	19	1.2500	1.949 (49.50) 1.925 (48.90)	1.827 (46.41) 1.795 (45.59)	1.316 (33.43) 1.306 (33.17)	M35	M28	.114 (2.90)	1.395 (35.43) 1.385 (35.18)	1.335 (33.91) 1.325 (33.65)
G	21	1.3750	2.075 (52.71) 2.051 (52.10)	1.953 (49.61) 1.921 (48.79)	1.441 (36.60) 1.431 (36.35)	M38	M31		1.520 (38.61) 1.510 (38.35)	1.460 (37.08) 1.450 (36.83)
H	23	1.5000	2.201 (55.91) 2.177 (55.30)	2.079 (52.81) 2.047 (51.99)	1.566 (39.78) 1.556 (39.52)	M41	M34	.114 (2.90)	1.645 (41.78) 1.635 (41.53)	1.585 (40.26) 1.575 (40.00)
J	25	1.6250	2.323 (59.00) 2.299 (58.39)	2.205 (56.01) 2.173 (55.19)	1.691 (42.95) 1.681 (42.70)	M44	M37		1.770 (44.96) 1.760 (44.70)	1.710 (43.43) 1.700 (43.18)

Additional Material/Finish Options	
Finish Code	Description
ZR	Aluminum, zinc nickel-black
G2	Aluminum, hard, anodic, non conductive .0020 in min thickness

NOTES

1. Insert arrangements per MIL-STD-1560,
2. Connector is supplied with contacts (including spares), insertion/removal tool and sealing plugs unless otherwise specified.
3. Blue color band indicates rear release retention system.

Rev. 06.20.19