

SPRING ACTION

ProSeal™ environmental connector covers



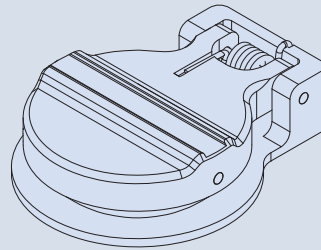
for Mighty Mouse Series 804 Jam Nut connectors
Pressure seal, dust and immersion resistant

667-387 PROSEAL PROTECTIVE COVER FOR MIGHTY MOUSE SERIES 804 JAM NUT CONNECTORS

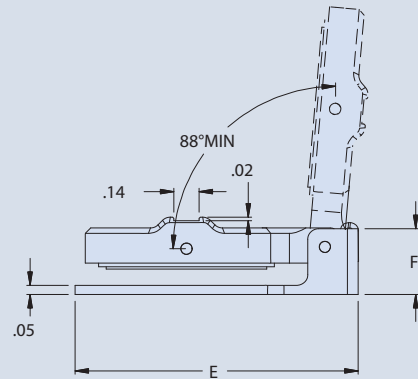
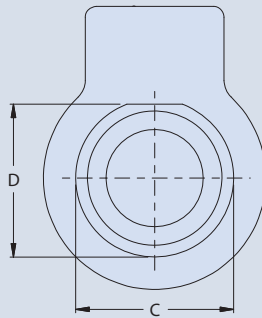
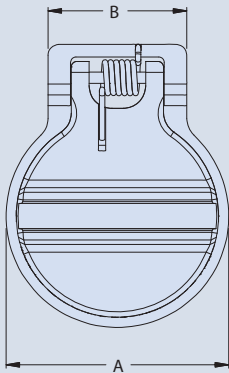
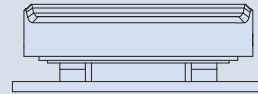


How to Order 667-387					
Sample Part Number		667-387	NF	09	-2
Series	ProSeal protective cover for Series 804 Mighty Mouse Jam Nut connectors				
Material / Finish	See Table II				
Shell Size	See Table I				
Panel Thickness	1 = .063" ±.03 F=.43 2 = .125" ±.03 F=.36				

- Pressure seal, dust and immersion resistant
- Self-aligning
- Positive spring-action in closed position. Opens to 88°, non-locking.



Jam nut mount, shown closed



MATERIAL / FINISH

Cover, Lever Arm, Bracket-Aluminum Alloy/see Table II
 Shaft / Spring - CRES / Passivate
 Sleeve - Delrin
 Gasket - Sponge Silicone

SPRING ACTION

ProSeal™ environmental connector covers

for Mighty Mouse Series 804 Jam Nut connectors
Pressure seal, dust and immersion resistant



Mighty Mouse 804

Table I: Dimensions										
Shell Size	A Dia		B Dim		C Dia		D Flat		E Dim	
	in	mm	in	mm	in	mm	in	mm	in	mm
06	.86	21.84	.70	17.78	.510	12.95	.479/.475	12.17/12.07	1.20	30.48
07	.87	22.10	.77	19.56	.635	16.13	.606/.601	15.39/15.27	1.29	32.77
08	.87	22.10	.77	19.56	.635	16.13	.606/.602	15.39/15.29	1.29	32.77
09	1.05	26.67	.77	19.56	.695	17.65	.667/.663	16.94/16.84	1.35	34.29
10	1.11	28.19	.77	19.56	.760	19.30	.734/.729	18.64/18.52	1.42	36.07
12	1.24	31.50	.77	19.56	.885	22.48	.855/.851	21.72/21.62	1.57	39.88
14	1.36	34.54	.89	22.61	1.010	25.65	.980/.976	24.89/24.79	1.70	43.18
15	1.42	36.07	.89	22.61	1.070	27.18	1.041/1.037	26.44/26.34	1.74	44.20

Consult factory for additional shell sizes

Table II: Material and Finish		
Sym	Material	Finish
M	Aluminum Alloy	Electroless Nickel
NF		Cad Plate / Olive Drab over Electroless Nickel
C		Anodize / Black
ZN		Zinc-Nickel / O.D. over Electroless Nickel
ZR		Zinc-Nickel / Black over Electroless Nickel