

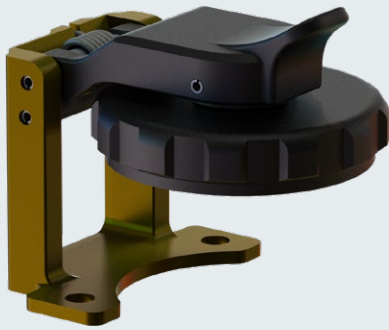
SPRING ACTION

ProSeal™ environmental connector covers

for MIL-DTL-5015, MS 3100, and MS3400 connectors
Threaded closure seal, full environmental



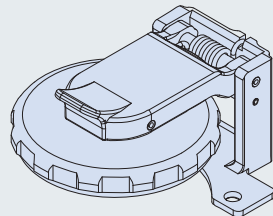
667-450 PROSEAL PROTECTIVE COVER FOR MIL-DTL-5015, MS3100, AND MS3400 CONNECTORS



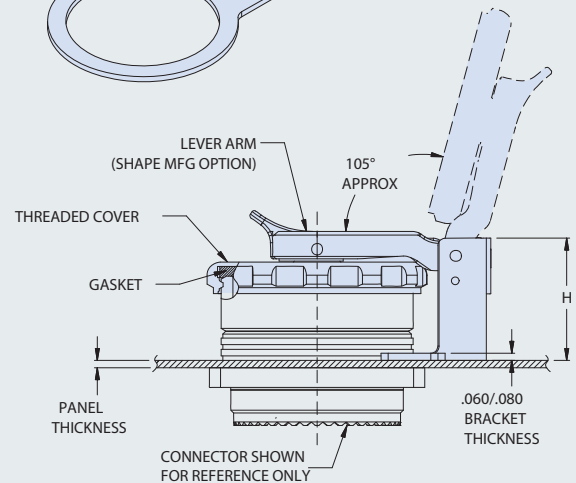
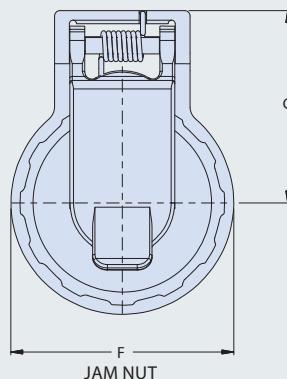
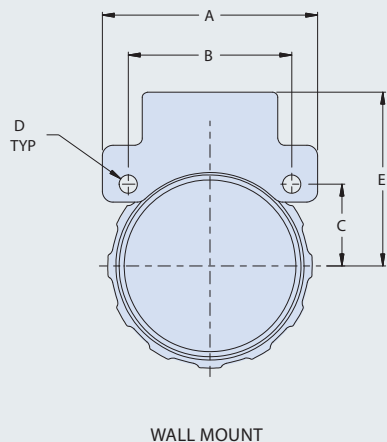
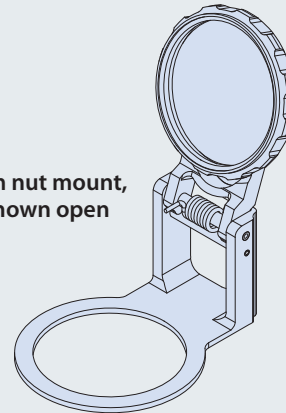
How to Order 667-450					
Sample Part Number	667-450	NF	06	T1	W
Series	ProSeal protective cover for MIL-DTL-5015, MS3100, and MS3400				
Material / Finish	See Table II				
Dash No. /Shell Size	See Table I				
Panel Thickness	See Table III				
Type of Mounting	J = Jam Nut Mount Receptacle W = Wall Mount Receptacle				

- Threaded closure
- Full environmental protection
- Self-aligning
- Positive spring-action in closed position. Locks open at approximately 105° from receptacle face.

Wall mount, shown closed



Jam nut mount, shown open



MATERIAL / FINISH

Cover, Lever Arm, Gimbal - Thermoplastic / Black
Bracket - see Table II
Spring / Pin / Rivet - 300 Series SST / Passivate
Sleeve - Delrin
Gasket - Silicone (optional)

SPRING ACTION

ProSeal™ environmental connector covers

for MIL-DTL-5015, MS 3100, and MS3400 connectors
Threaded closure seal, full environmental



5015 • 83723 Series III

Table I: Dimensions																	
Dash No.	Shell Size	A max		B ±.015 (.38)		C ±.015 (.38)		D ±.008 (.20)		E max		F ±.031 (.79)		G max		H max	
		in	mm	in	mm	in	mm	in	mm	in	mm	in	mm	in	mm	in	mm
01	8S	.967	24.56	0.594	15.0	.297	7.54	.128	3.25	.841	21.36	.890	22.61	.841	21.36	.993	25.22
02	10S, 10SL	1.061	26.95	0.719	18.26	.360	9.14	.134	3.40	.903	22.94	.937	23.80	.893	22.68	.993	25.22
03	12	1.156	29.36	0.812	20.62	.406	10.31	.134	3.40	.966	24.54	1.062	26.97	.966	24.54	1.243	31.57
04	12S	1.156	29.36	0.812	20.62	.406	10.31	.134	3.40	.966	24.54	1.062	26.97	.966	24.54	.993	25.22
05	14	1.250	31.75	0.906	23.01	.453	11.51	.134	3.40	1.034	26.26	1.188	30.18	1.034	26.26	1.243	31.57
06	14S	1.250	31.75	0.906	23.01	.453	11.51	.134	3.40	1.034	26.26	1.188	30.18	1.034	26.26	.993	25.22
07	16	1.341	33.89	0.969	24.61	.485	12.32	.134	3.40	1.113	28.27	1.375	34.93	1.133	28.78	1.243	31.57
08	16S	1.341	33.89	0.969	24.61	.485	12.32	.134	3.40	1.113	28.27	1.375	34.93	1.133	28.78	.993	25.22
09	18	1.467	37.26	1.062	26.97	.531	13.49	.134	3.40	1.149	29.18	1.625	41.28	1.149	29.18	1.243	31.57
10	20	1.593	40.46	1.156	29.36	.578	14.68	.134	3.40	1.365	34.67	1.750	44.45	1.365	34.67	1.328	33.73
11	22	1.719	43.66	1.250	31.75	.625	15.88	.134	3.40	1.429	36.30	2.000	50.80	1.429	36.30	1.328	33.73
12	24	1.871	47.52	1.375	34.93	.688	17.48	.154	3.91	1.491	37.87	2.150	54.61	1.491	37.87	1.328	33.73
13	28	2.042	51.87	1.562	39.67	.781	19.84	.154	3.91	1.656	42.06	2.309	58.65	1.708	43.38	1.328	33.73
14	32	2.280	57.91	1.750	44.45	.875	22.23	.177	4.50	1.743	44.27	2.562	65.07	1.867	47.42	1.390	35.31
15	36	2.530	64.26	1.938	49.23	.969	24.61	.177	4.50	1.977	50.22	2.875	73.03	2.124	53.95	1.390	35.31
16	40	2.780	70.61	2.188	55.58	1.094	27.79	.177	4.50	2.196	55.78	3.145	79.88	2.214	53.95	1.390	35.31

Table II: Material and Finish		
Sym	Material	Finish
MT	Aluminum	Nickel-PTFE
ZR		Zinc-Nickel, Black (Tri-Valent CR)
M		Electroless Nickel
NF		Cad Plate / Olive Drab over Electroless Nickel
C		Anodize / Black
UC		Zinc Cobalt / Black

Table III: Panel Thickness		
Dash No.	Panel Thickness* ±.030 (.76)	
	in	mm
T0	.000	.00
T1	.062	1.57
T2	.125	3.18

*Jam nut mount is not available with panel thickness T0