



Banding System Shield Termination Tools

BAND-IT® Tools and Tool Kits for Reliable Shield Termination

Fast, Cost-Effective Termination of EMI/RFI Grounding Shields

The BAND-IT® clamping system provides quick and highly reliable termination of braided metallic shielding or fabric braid. Banding technology was first introduced in our industry in 1985 as a solution to the field repair of magnaformed shield terminations on installed cable assemblies for the B-1 bomber. Banding has been a staple of the industry ever since.



BAND-IT® clamping bands are precision constructed of 300 Series SST/Passivate I.A.W. AMS 2700, and designed for use with Band-It® Hand Banding Tool or the Pneumatic Banding Tool.

The bands are offered in the following four configurations to suit a wide range of requirements: Double-wrapped, the Standard Band will accommodate diameters up to approximately 1.8 inches. The Extended Length Standard Band when double-wrapped will accommodate diameters up to approximately 2.5 inches (63.5mm). The Micro Band will accommodate diameters up to approximately .88 inches (22.5mm) when double-wrapped. The Extended Length Micro Band will accommodate diameters to approximately 1.88 inches (47.8mm) when double-wrapped. All Band-It® clamping bands may be ordered flat or precoiled in bagged and tagged quantities from 1 to 100.

Reliable RFI/EMI/EMP Terminations

The unique low profile and smooth inside diameter of the one-piece type 304 austenitic stainless steel clamping band virtually eliminates RFI/EMI/EMP leakage paths. The lock maintains constant tension under extreme environmental conditions. BAND-IT® has passed severe shock, vibration and thermal cycle testing with negligible deterioration of shell conductivity. Amazingly, the constant tension bands are easily removed with a screw-driver for easy repair of connector contacts

Single Piece Band Construction

No welding, soldering, magna forming, and no crimping! The single piece clamping bands are installed with a easy-to-use hand-held tool, or for production quantities, with a bench-mountable pneumatic machine. All versions provide reliable termination of shielding without the expense or inconvenience of high-heat systems.

Clamp Small Diameters Easily, Reliably

The secret of the The BAND-IT® clamping system is the innovative double-wrapped band design which provides an extremely high-tension termination without damaging fabric or metal braid materials. As the band tightens in place, the double-wrapped surfaces bear against each other to prevent damage to lightweight screening materials. The clamping band is designed to clamp small diameters as easily, quickly and reliably as large diameters.

Quick, Easy Field Terminations with the Precalibrated Hand Tool

The precalibrated hand tool is lightweight and pocket-sized, affording fast braided RFI/EMI/EMP shield termination in the field. The hand-held tool is extremely durable and will provide years of service and thousands of reliable terminations. Glennair is also able to offer its banding customers a fast turnaround repair service for damaged or worn tools.

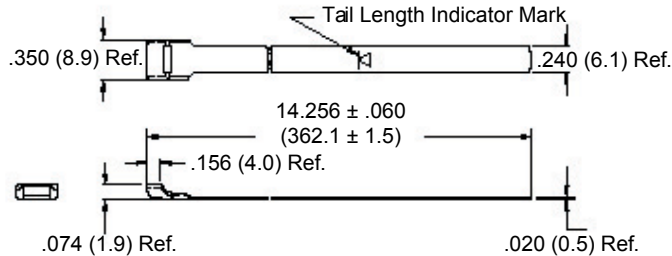
Pneumatic Banding Tool for High-Speed Mass Production

The pneumatic clamping tool offers the capability to tackle high volume braided shielding terminations quickly and easily.



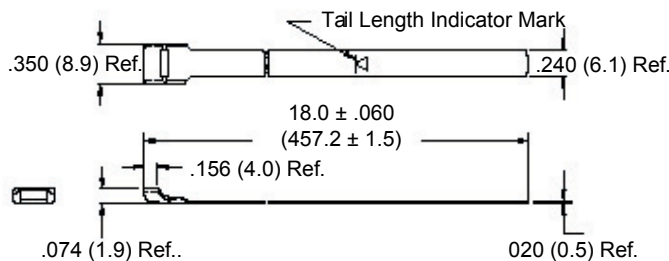
Reliable termination of EMI shielding to both circular and rectangular banding backshells is easily accomplished in the field with BAND-IT® precalibrated pocket-sized hand tools. High-speed, mass termination production is afforded by the pneumatic clamping tool.

Standard Band 600-052 Precoiled Standard Band 600-052-1



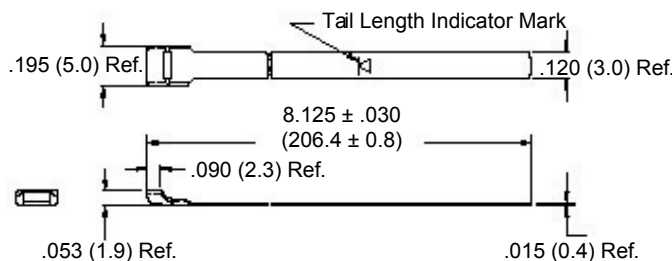
The 600-052 Standard Band is precision constructed of 300 Series SST/Passivate I.A.W. AMS 2700, and designed for use with the 600-058 Hand Banding Tool or the 600-067 Pneumatic Banding Tool. Double-wrapped bands will accommodate diameters up to approximately 1.8 inches (45.7). Bands may be ordered flat (600-052) or precoiled (600-052-1). Bands come bagged and tagged in quantities from 1 to 100.
Reference: **BAND-IT®** part number **A10086**

Extended-Length Standard Band 600-090 Precoiled Extended-Length Standard Band 600-090-1



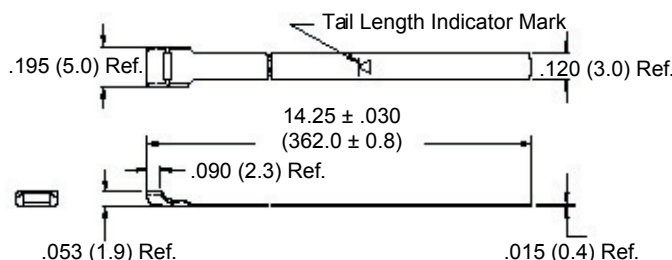
The 600-090 Extended Length Standard Band is precision constructed of 300 Series SST/Passivate I.A.W. AMS 2700, designed for use with the 600-058 Hand Banding Tool or the 600-067 Pneumatic Banding Tool. Double-wrapped bands will accommodate diameters up to approximately 2.5 inches (63.5). Bands may be ordered flat (600-090), or precoiled (600-090-1). Bands come bagged and tagged in quantities from 1 to 100.
Reference: **BAND-IT®** part number **A11086**

Micro-Band 600-057 Precoiled Micro-Band 600-057-1



The 600-057 Micro Band is precision constructed of 300 Series SST/Passivate I.A.W. AMS 2700, and designed for use with the 600-061 Hand Banding Tool or the 600-068 Pneumatic Banding Tool. Double-wrapped bands will accommodate diameters up to approximately .88 inches (22.4). Bands may be ordered flat (600-057), or precoiled (600-057-1). Bands come bagged and tagged in quantities from 1 to 100.
Reference: **BAND-IT®** part number **A31186**

Extended Length Micro-Band 600-083 Precoiled Micro-Band 600-083-1

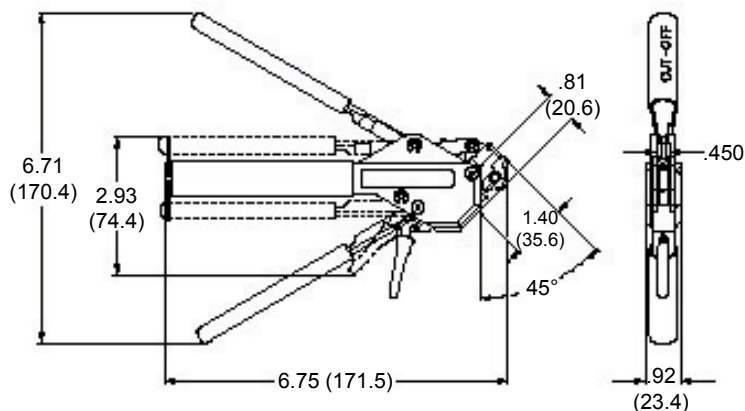


The 600-083 Extended Length Micro-Band is precision constructed of 300 Series SST/Passivate, and designed for use with the 600-061 Hand Banding Tool or the 600-068 Pneumatic Banding Tool. Double-wrapped bands will accommodate diameters up to approximately 1.88 inches (47.8). Bands may be ordered flat (600-083), or precoiled (600-083-1). Bands come bagged and tagged in quantities from 1 to 100.
Reference: **BAND-IT®** part number **A31089**.

Hand Banding Tool 600-058

The **600-058 Hand Banding Tool** weighs 1.18 lbs., and is designed for standard clamping bands 600-052 and 600-090 in a tension range from 100 to 180 lbs. Calibrate at 150 lbs. \pm 5 lbs. for most shield terminations. Tool and band should never be lubricated.

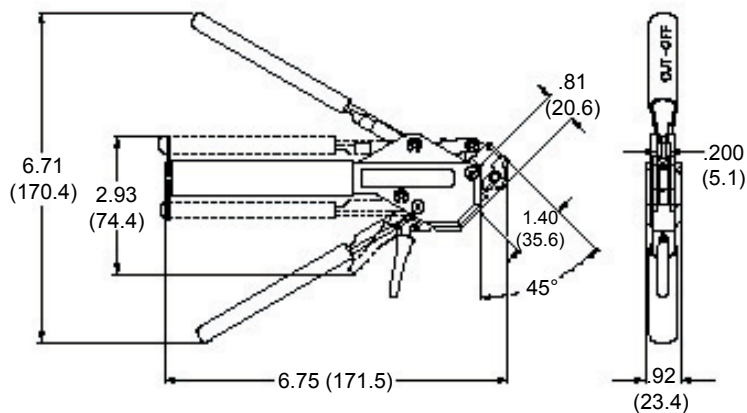
Reference: **BAND-IT®** part number A40199.



Hand Micro Banding Tool 600-061

The **600-061 Hand Micro Banding Tool** weighs 1.18 lbs., and is designed for micro clamping bands 600-057 and 600-083 in a tension range from 50 to 85 lbs. Calibrate at 75lbs +2 lbs. -7 lbs. for most shield terminations. Tool and band should never be lubricated.

Reference: **BAND-IT®** part number A30199.



Metric Dimensions (mm) are indicated in parentheses.