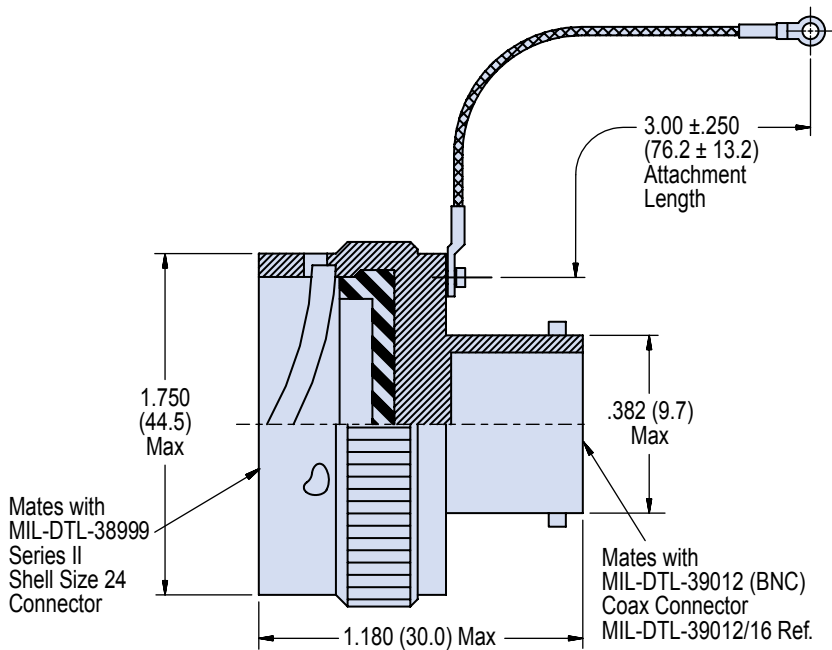
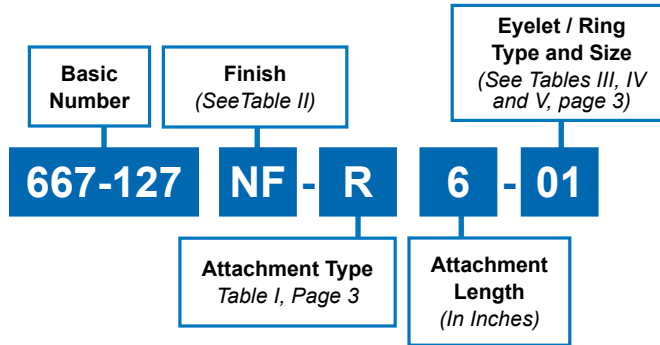


667-127

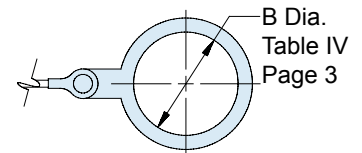
Special Protective Receptacle Cover and Dummy Plug for MIL-DTL-38999 Series II and Type BNC RF Coax Connectors
Mates with MIL-DTL-39012 BNC RF Coax Connectors



RF Connector Covers and Accessories



SOLID RING - Style A



SPLIT RING - Style C

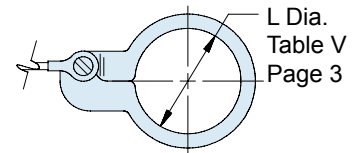


Table II: Materials and Finishes

Code	Material	Finish
M	Aluminum Alloy 6061-T6	Electroless Nickel
MT		Nickel Fluoropolymer
NF		Cadmium, Olive Drab
ZR		Zinc-Nickel, Black
Z1	303 Stainless Steel	Passivate
BM	Brass	Brass - Electroless Nickel
WB		White Bronze (Non-Magnetic)

Material and Finishes:

Gaskets – Silicone or neoprene/N.A.
 Attachments – See page 3
 Covers – Aluminum alloy, brass, stainless steel/See Table II below for finishes
 Crimp Rings and Eyelets – CRES/passivate

Composite and other materials and finishes available. Please consult factory