

RF, Microwave and Datalink Contacts

for MIL-DTL-38999, SuperNine[®], Mighty Mouse and Micro-Crimp[®] Connectors



AS39029 Coaxial Contacts

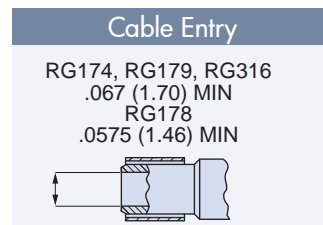
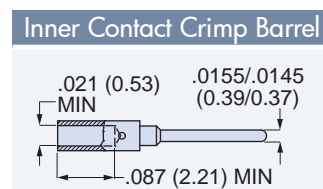
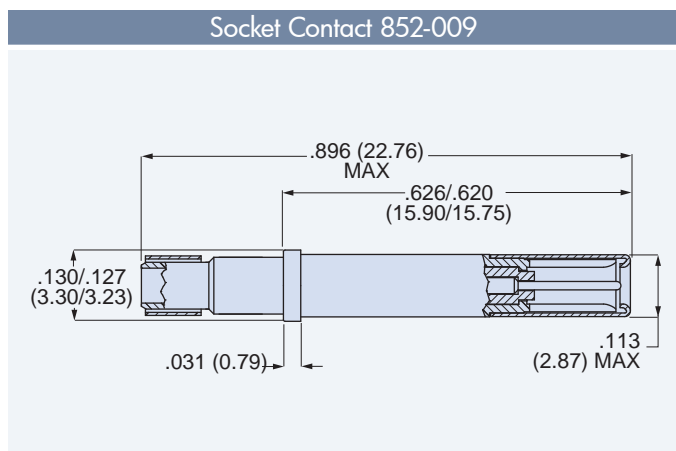
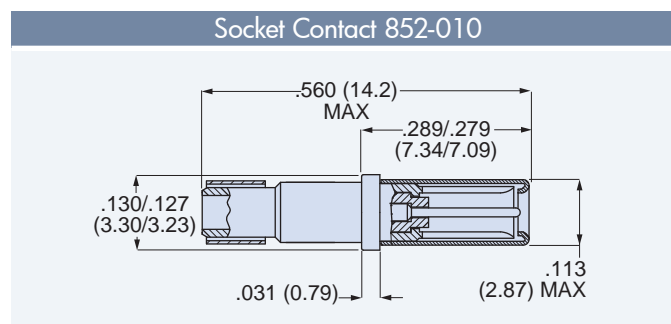
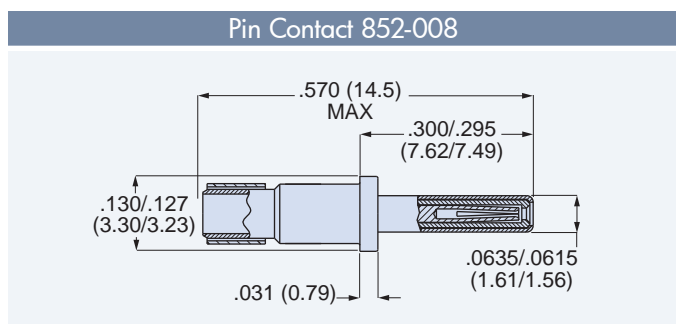
Size #16 AS39029 Coaxial Contacts



These snap-in, rear-release contacts fit Glenair Series 80 Mighty Mouse, Series 23 SuperNine[®], Series 79 Micro-Crimp[®] and MIL-DTL-38999 connectors with size #16 cavities. Crimp termination. SAE AS39029 qualified.

Technical Data	
Specifications	Construction
Operating temperature: -65°C. to +200°C. Dielectric withstanding voltage: 800 Vac rms at sea level, 250 Vac at 50,000 feet Current rating: 1 ampere Durability: 500 mating cycles VSWR: 1.50 max. @ 500 MHz	Inner contact, body, outer sleeve: copper alloy, gold over nickel underplate per AS39029 Type D Socket contact hood: stainless steel Insulator: fluoroplastic

Size #16 AS39029 Coaxial Contacts										
RG Cable	Size	Max. Freq.	Pin Contact M38999 I-IV Ser. 79, 80	Socket Contact		Crimp Tools				Insertion/Removal Tool
				M38999 Series I, III, IV	M38999 Ser. II Series 79, 80	Inner Contact Crimper	Positioner	Shield Crimp Sleeve Crimper	Die Set	
RG174 RG179 RG316	16	500 MHz	852-008-16-424 (M39029/76-424)	852-009-16-428 (M39029/77-428)	852-010-16-432 (M39029/78-432)	809-015 (M22520/2-01)	809-125 (M22520/2-35)	809-127 (M22520/4-01)	809-126 (M22520/4-02)	809-131 (M81969/14-03)
RG178	16	500 MHz	852-008-16-425 (M39029/76-425)	852-009-16-429 (M39029/77-429)	852-010-16-433 (M39029/78-433)					



AS39029 Part No.	Color Bands		
	1st	2nd	3rd
M39029/76-424	YELLOW	RED	YELLOW
M39029/76-425	YELLOW	RED	GREEN
M39029/77-428	YELLOW	RED	GRAY
M39029/77-429	YELLOW	RED	WHITE
M39029/78-432	YELLOW	ORANGE	RED
M39029/78-433	YELLOW	ORANGE	ORANGE