

RF, Microwave and Datalink Contacts

for MIL-DTL-38999, SuperNine®, Mighty Mouse and Micro-Crimp® Connectors



AS39029 Coaxial Contacts

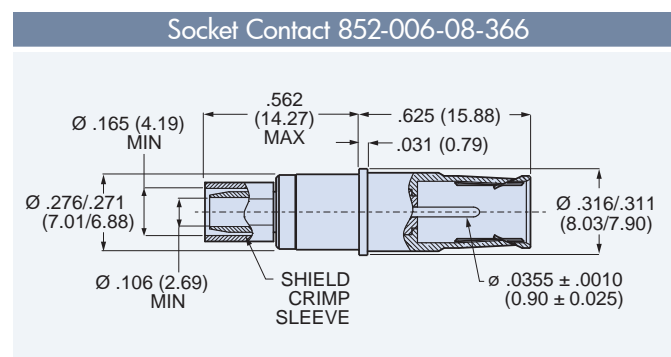
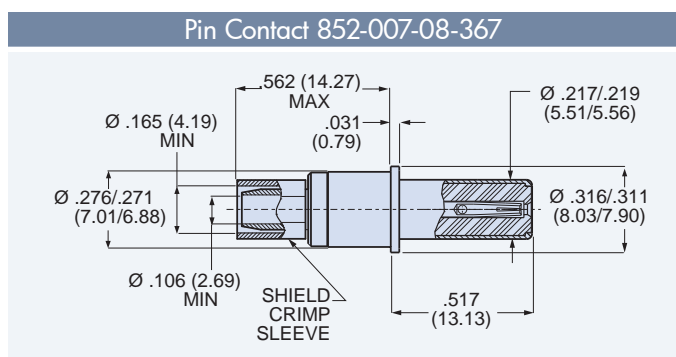
Size #8 AS39029 Coaxial Contacts



These snap-in, rear-release contacts fit Glenair Series 80 Mighty Mouse, Series 23 SuperNine®, and MIL-DTL-38999 Series I, III and IV connectors with size #8 cavities. Crimp termination. SAE AS39029 qualified. Shipped unassembled with assembly instruction sheet, expander tool and push-rod tool.

| Technical Data | |
|--|---|
| Specifications | Construction |
| Operating temperature: -65°C to +200°C Dielectric withstanding voltage: 1300 Vac rms at sea level, 250 Vac at 50,000 feet Current rating: 1 ampere Durability: 500 mating cycles Shock: EIA-364-27 condition D Vibration: MIL-DTL-38999 Max operating frequency: 700 MHz | Inner contact, body, outer sleeve: copper alloy, gold over nickel underplate per AS39029 Type D Insulator: fluoroplastic |

| Size #8 AS39029 Coaxial Contacts | | | | | | | | |
|----------------------------------|------|---|--|---------------------------------|---------------------------------|---------------------------------|---------------------------------|----------------------------------|
| RG Cable | Size | Pin Contact M38999 Series I, III, IV Series 80 | Socket Contact M38999 Series I, III, IV Series 80 | Crimp Tools | | | | Removal Tool |
| | | | | Inner Contact Crimper | Positioner | Shield Crimp Sleeve Crimper | Die Set | |
| RG180 | 8 | 852-007-08-367 (M39029/60-367) | 852-006-08-366 (M39029/59-366) | 809-015 (M22520/2-01) | 859-050 (M22520/2-31) | 809-129 (M22520/5-01) | 859-051 (M22520/5-05) | 859-022 (M81969/14-06) |

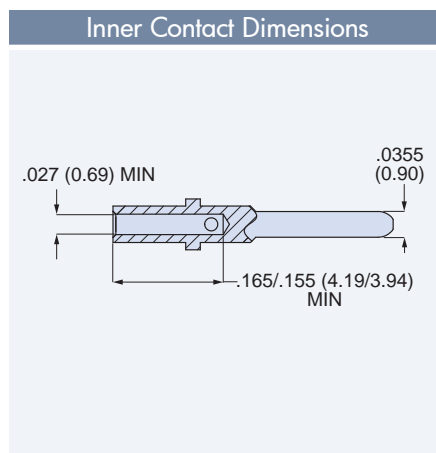


#8 Sealing Boot

Optional sealing boot fits RG180 cable. Slide boot onto cable before terminating contact. Fluorosilicone grommet, Ultem follower.

Dimensions (Inches / Millimeters):
 Overall length: .985 (25.02) MAX
 Outer diameter: Ø .350 (8.89)
 Inner diameter: Ø .326 (8.28)

| Cable Range (In.) | Part Number |
|-------------------|-------------------|
| .130-.170 | 859-042-02 |



AS39029 Color Stripes

| Part Number | AS39029 Part No. | Color Bands | | |
|----------------|------------------|-------------|------|--------|
| | | 1st | 2nd | 3rd |
| 852-006-08-366 | M39029/59-366 | ORANGE | BLUE | BLUE |
| 852-007-08-367 | M39029/60-367 | ORANGE | BLUE | VIOLET |