

RF, Microwave and Datalink Contacts

for MIL-DTL-38999, SuperNine®, Mighty Mouse and Micro-Crimp® Connectors



Quadrax Contacts

Size #8 100 Ohm and 150 Ohm Quadrax Contacts



Socket Contact

Quadrax contacts are size 8 multi-pin contacts with four signal pins and an outer contact body. These contacts are used for harsh environment military and aerospace data networks using star quad cable. Crimp termination. Two types are available: 100 ohm for 100BASE-T Ethernet and 150 ohm for fibre channel. Compatible with Glenair Series 80 Mighty Mouse and Glenair 233-217 SuperNine® connectors. Supplied as unassembled kit with outer body, (4) inner contacts, shield crimp ferrule, insulators, sealing boot and instruction sheet.

DC – 3 GHz frequency range
100 ohm and 150 ohm versions
Arinc 664 compatible

Snap-in, rear release
Sealing boot included
Gold plated copper alloy

Size #8 100 Ohm Quadrax Contacts

Wire Size (AWG)	Imped. (ohms)	Ref Cable Diameter		A Hex Crimp		Cable Accomodation		Pin Contact	Socket Contact
		In.	mm.	In.	mm.	Mfgr.	Part Number		
22	100	.190	4.83	.231	5.86	Tensolite	NF22Q100-01	854-001-05F	854-002-05F
24	100	.160	4.06	.218	5.54	PIC	E51424	854-001-02F	854-002-02F
						(various)	AS6070-1		
						Gore	GSC-03-84608-00		
						Tensolite	NF24Q100-01		
24	100	.175	4.45	.218	5.54	TE	CEC-RWC-18664	854-001-04F	854-002-04F
						Draka	F 4704-4		
						PIC	E50424		
26	100	.137	3.48	.218	5.54	(various)	ABS1503KD24	854-001-01F	854-002-01F
						Tensolite	NF26Q100-01		
						PIC	E51426		

Size #8 150 Ohm Quadrax Contacts for Fibre Channel (not intermateable with 100 ohm quadrax contacts)

26	150	Fibre Channel	.195	4.95	.231	5.86	Tensolite	26473/02006X-4(LD)	854-015-02F	854-014-02F
							Gore	RCN8328		

Technical Data

Specifications	Construction	Connector Compatibility
Operating temperature: -65°C. to +175°C. Operating frequency: DC – 3 GHz Characteristic Impedance: 100 ±10 ohms or 150 ± 10 ohms Dielectric withstanding voltage, inner to inner contact: 1000 Vrms sea level, 250 Vrms 70,000 feet. Dielectric withstanding voltage, inner to outer contact: 500 Vrms sea level, 250 Vrms 70,000 feet. Insulation resistance: 5000 megohms min. Durability: 500 mating cycles Vibration: MIL-DTL-38999 Series III Shock: MIL-DTL-38999 Series III	Inner contacts, outer contact, shield crimp ferrule: copper alloy, 50 microinches gold over nickel plating Insulator: PPS Sealing boot grommet: fluorosilicone Sealing boot body: rigid thermoplastic, PEI or equivalent	Quadrax contacts have an alignment key and are not for use in standard MIL-DTL-38999 connectors Glenair Series 80 Mighty Mouse Glenair 233-217 SuperNine®

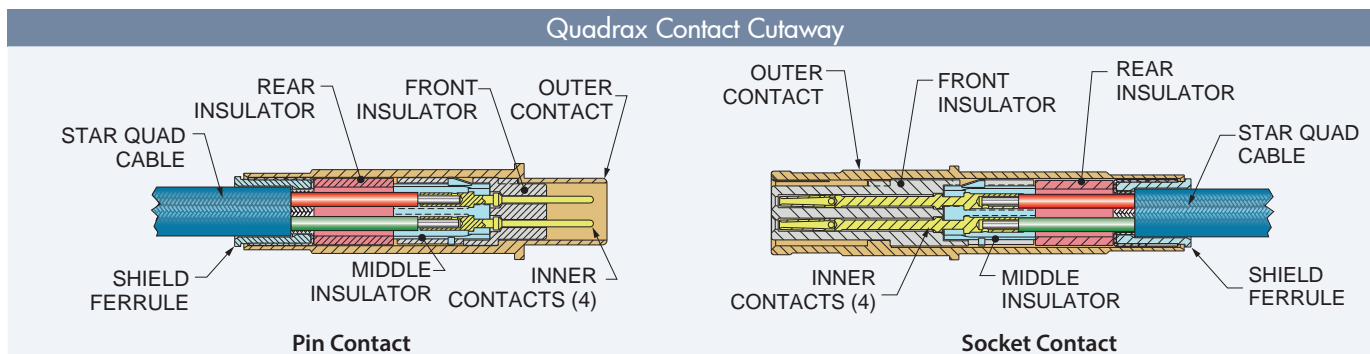
RF, Microwave and Datalink Contacts

for MIL-DTL-38999, SuperNine®, Mighty Mouse and Micro-Crimp® Connectors

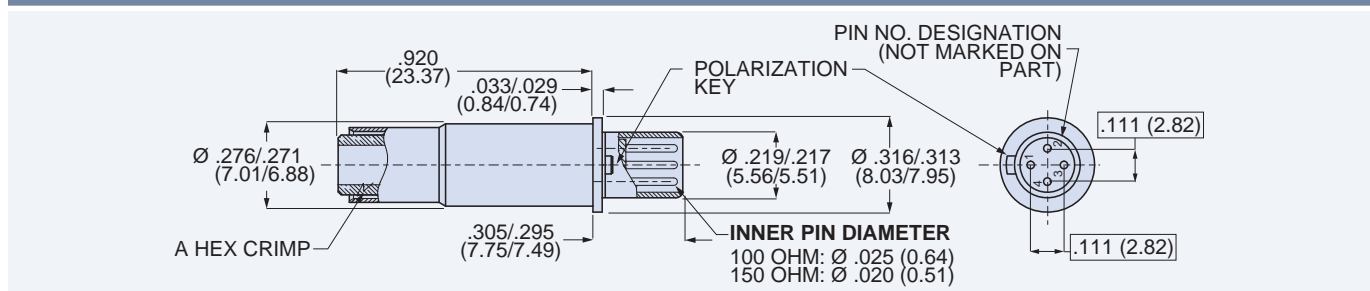


Quadrax Contacts

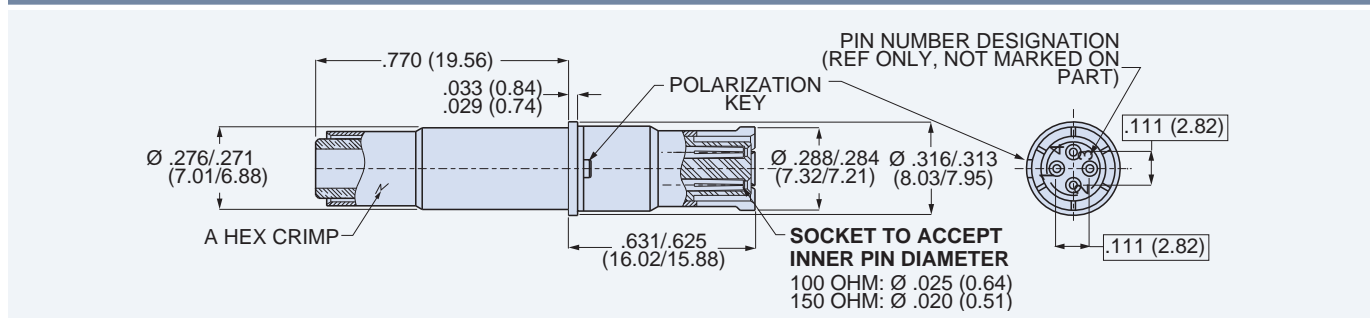
Size #8 100 Ohm and 150 Ohm Quadrax Contacts



Pin Contact 854-001 and 854-015



Socket Contact 854-002 and 854-014



Crimp Tools, Removal Tool, Assembly Instruction Sheet

Contact PN	Inner Contacts		Outer Body		Removal Tool	Assembly Instructions
	Crimper	Positioner	Crimper	Hex Die		
854-001 854-002	809-015 (M22520/2-01)	809-240 (M22520/2-37)	809-129 (M22520/5-01)	859-007 (M22520/5-45)	859-049 (M81969/14-12)	AI854-001
854-014 854-015	809-015 (M22520/2-01)	809-240 (M22520/2-37)	809-129 (M22520/5-01)	859-007 (M22520/5-45)	859-049 (M81969/14-12)	AI85038

Inner Contact Crimp Tools Outer Body Crimp Tools Removal Tool



Sealing Boot

Sealing boots are supplied with contacts. To order contacts without sealing boots, remove the "F" suffix from the part number.

