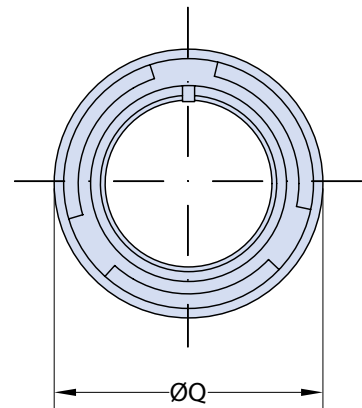
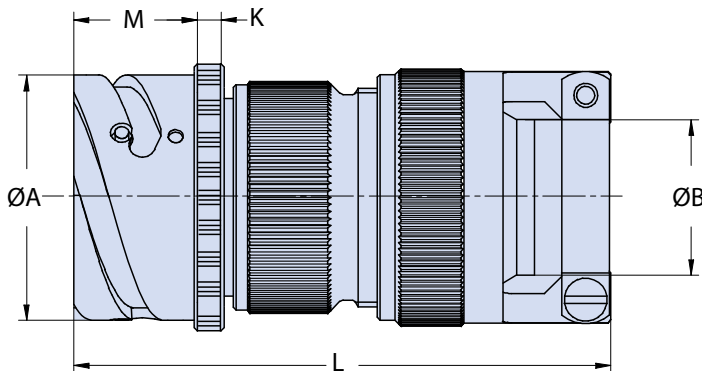
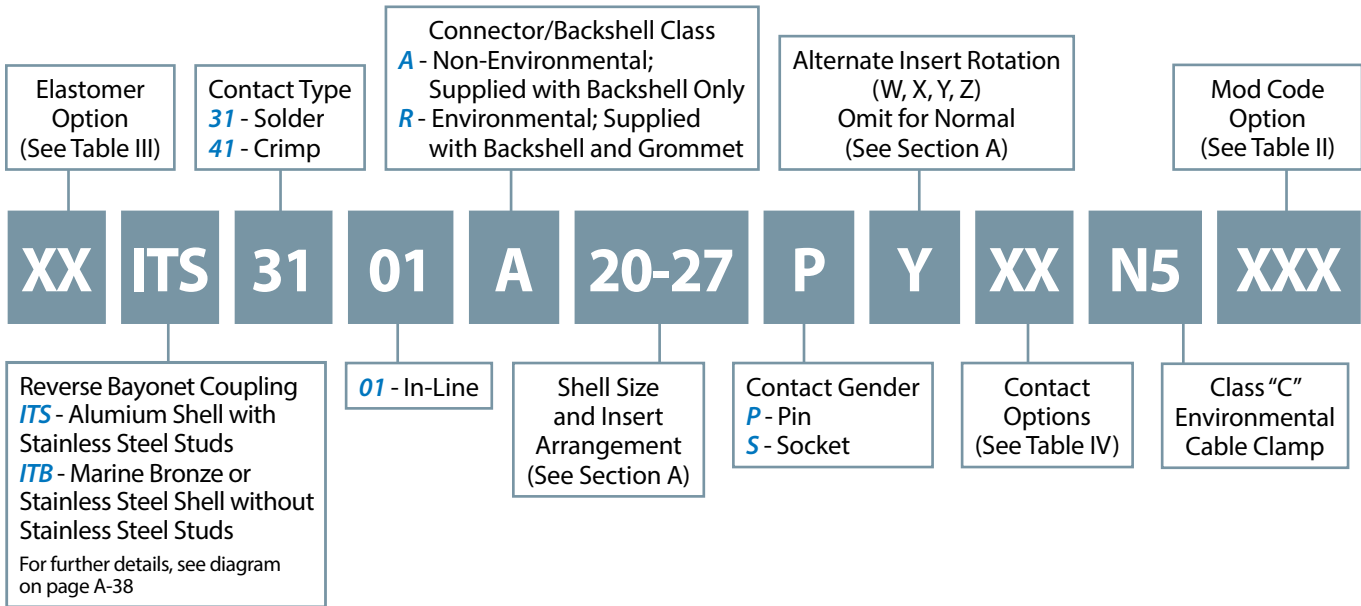


ITS 3101 A N5 and ITS 3101 R N5
ITS 4101 A N5 and ITS 4101 R N5
In-Line Cylindrical Receptacle Assembly
with Class C (Environmental) IT3057 Cable Clamp



Application Notes

1. In-line receptacle with a class C (environmental) IT3057 cable clamp for use with jacketed cable.
2. Connector/Backshell Class "A" (non-environmental)—Not supplied with wire sealing grommet; Class "R" (environmental)—Supplied with grommet.
3. Standard materials configuration consists of aluminum alloy. For platings, see TABLE II finish options.
4. Standard contact material consists of copper alloy with silver plating or gold plating.

**ITS 3101 A N5 and ITS 3101 R N5
ITS 4101 A N5 and ITS 4101 R N5
In-Line Cylindrical Receptacle Assembly
with Class C (Environmental) IT3057 Cable Clamp**



TABLE I: DIMENSIONS

| Shell Size | ØA +0.2 -0.1 | ØB | | K ±0.2 | L Max. | M +0.4 -0 | ØQ ±0.1 |
|--------------|--------------------|-------|--------|-----------|-----------|-----------------|------------|
| | | Open | Closed | | | | |
| 10 SL | 18.2 | 7.93 | 2.38 | 2.8 | 73.0 | 14.2 | 21.8 |
| 14 S | 24.5 | 11.12 | 5.84 | 3.2 | 76.0 | 14.2 | 28.8 |
| 16 S | 27.2 | 13.48 | 8.00 | 3.2 | 73.0 | 14.2 | 30.5 |
| 16 | 27.2 | 13.48 | 8.00 | 3.2 | 84.0 | 19.0 | 30.5 |
| 18 | 30.7 | 15.87 | 9.60 | 4.0 | 88.0 | 19.0 | 33.8 |
| 20 | 34.0 | 19.00 | 11.30 | 4.0 | 90.0 | 19.0 | 36.9 |
| 22 | 37.3 | 19.00 | 11.30 | 4.0 | 89.0 | 19.0 | 39.5 |
| 24 | 40.9 | 23.80 | 15.50 | 4.0 | 95.0 | 20.6 | 43.9 |
| 28 | 46.7 | 23.80 | 15.50 | 4.0 | 103.0 | 20.6 | 48.4 |
| 32 | 53.4 | 31.75 | 23.40 | 4.0 | 111.0 | 22.2 | 56.0 |
| 36 | 59.6 | 35.00 | 23.40 | 4.0 | 123.0 | 22.2 | 62.4 |
| 40 | 65.5 | 41.25 | 29.90 | 4.0 | 123.0 | 22.2 | 68.6 |

B

TABLE II: MODIFICATION CODES

| STANDARD MATERIAL AND FINISH (*) | | |
|----------------------------------|--|------|
| Sym | Description | RoHS |
| | Omit for Aluminum/ Cadmium Olive Drab | |
| F6 | Aluminum/ Black Electrodeposited Paint | ✓ |
| F7 | Aluminum/ Black Zinc Nickel | ✓ |
| F11 | Aluminum/ Electroless Nickel | ✓ |
| MB | Marine Bronze/ Unplated | ✓ |
| FK | Stainless Steel/ Passivate | ✓ |

TABLE III

| ELASTOMER OPTIONS | |
|-------------------|------------------------------------|
| Sym | Description |
| | Omit for Polychloroprene Elastomer |
| FR | Fire Resistant Elastomer |
| S | Silicone Elastomer |

TABLE IV: MODIFICATION CODES

| CONTACT OPTIONS | |
|--|-------------------------------------|
| Sym | Description |
| B0 | Connector without Contacts** |
| B1 | Connector with Gold Plated Contacts |
| Omit for standard version (Silver plated) | |

(*) For further options, please contact the factory.

(**) Crimp Contacts Only