

ITS 3101 G and ITS 4101 G In-Line Cylindrical Receptacle Assembly with Environmental Backshell for Heat Shrink Tubing

Elastomer Option
(See Table III)

Contact Type
31 - Solder
41 - Crimp

Connector/Backshell Class
G - Environmental; Supplied
with Gromme and Backshell
for Heat Shrink Tubing

Contact Gender
P - Pin
S - Socket

Mod Code Option
(See Table II)

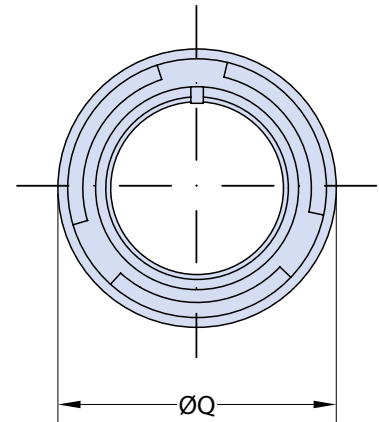
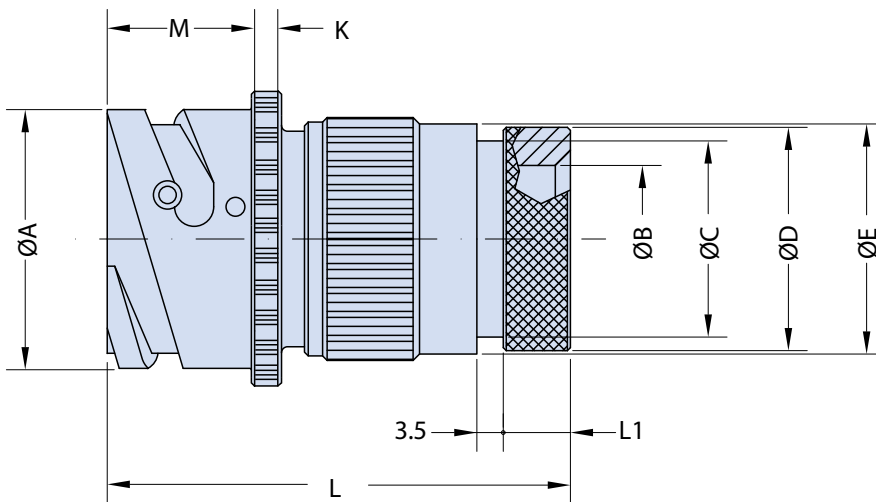
XX**ITS****31****01****G****20-27****P****Y****XXX**

Reverse Bayonet Coupling
ITS - Aluminum Shell with
Stainless Steel Studs
ITB - Marine Bronze or
Stainless Steel Shell without
Stainless Steel Studs
For further details, see diagram
on page A-38

01 - In-Line

Shell Size and Insert
Arrangement
(See Section A)

Alternate Insert Rotation
(W, X, Y, Z)
Omit for Normal
(See Section A)



Application Notes

1. In-Line receptacle with backshell for heat shrink tubing.
2. Connector/Backshell Class "G" (environmental)—Wire sealing grommet supplied.
3. Standard materials configuration consists of aluminum alloy. For platings, see TABLE II finish options.
4. Standard contact material consists of copper alloy with silver plating or gold plating.

ITS 3101 G and ITS 4101 G
In-Line Cylindrical Receptacle Assembly
with Environmental Backshell for Heat Shrink Tubing



TABLE I: DIMENSIONS

Shell Size	ØA +0.2 -0.1	ØB Min.	ØC ±0.1	ØD ±0.2	ØE ±0.2	K ±0.2	L Max.	L1 Max.	M +0.4 -0	ØQ ±0.1
10 SL	18.2	8.5	13.0	15.5	17.0	2.8	53.0	8.2	14.2	21.8
14 S	24.5	12.0	16.5	19.1	20.1	3.2	53.5	8.2	14.2	28.8
16 S	27.2	14.5	21.5	23.9	23.5	3.2	53.5	8.2	14.2	30.5
16	27.2	14.5	21.5	23.9	23.5	3.2	65.5	8.0	19.0	30.5
18	30.7	17.5	21.7	23.9	26.5	4.0	66.0	8.0	19.0	33.8
20	34.0	19.5	26.0	29.6	30.5	4.0	66.5	8.9	19.0	36.9
22	37.3	22.0	26.0	29.6	33.6	4.0	66.5	8.9	19.0	39.5
24	40.9	25.0	34.5	37.8	36.1	4.0	66.5	9.2	20.6	43.9
28	46.7	29.0	34.5	37.8	41.4	4.0	66.5	9.2	20.6	48.4
32	53.4	34.0	43.6	47.8	48.6	4.0	84.0	11.7	22.2	56.0
36	59.6	38.5	43.6	47.8	54.8	4.0	84.0	11.7	22.2	62.4
40	65.5	48.0	51.5	52.4	60.9	4.0	84.0	11.7	22.2	68.6

B

TABLE II: MODIFICATION CODES

CONTACT OPTIONS		
Sym	Description	
B0	Connector without Contacts**	
B1	Connector with Gold Plated Contacts	
Omit for standard version (Silver plated)		
STANDARD MATERIAL AND FINISH (*)		
Sym	Description	RoHS
	Omit for Aluminum/ Cadmium Olive Drab	
F6	Aluminum/ Black Electrodeposited Paint	✓
F7	Aluminum/ Black Zinc Nickel	✓
F11	Aluminum/ Electroless Nickel	✓
MB	Marine Bronze/ Unplated	✓
FK	Stainless Steel/ Passivate	✓

TABLE III

ELASTOMER OPTIONS	
Sym	Description
	Omit for Polychloroprene Elastomer
FR	Fire Resistant Elastomer
S	Silicone Elastomer

(*) For further options, please contact the factory.

(**) Crimp Contacts Only