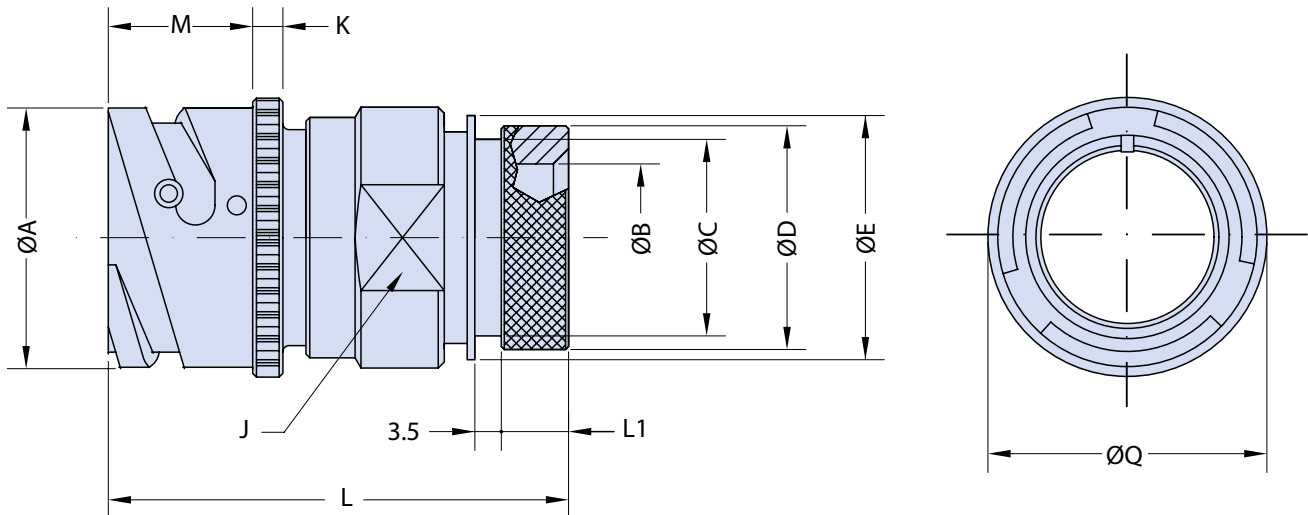
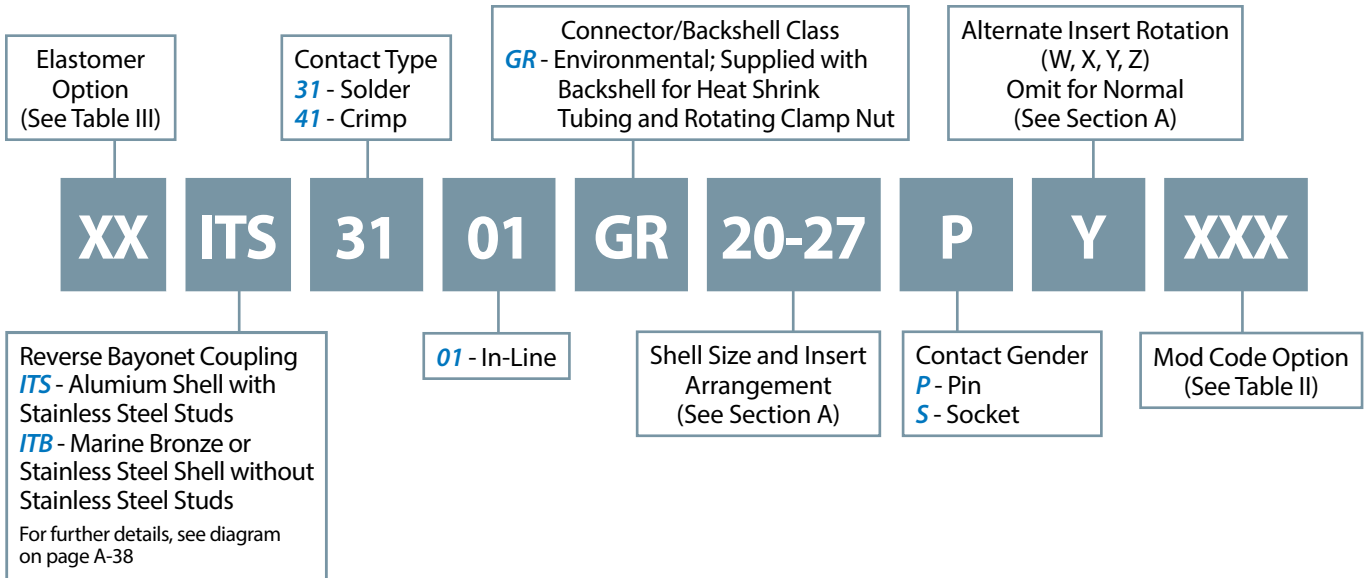


ITS 3101 GR and ITS 4101 GR In-Line Cylindrical Receptacle Assembly with Rotating Coupling Nut Backshell for Heat-Shrink Tubing



Application Notes

1. In-line receptacle assembly with backshell for heat shrink tubing. Rotating coupling nut supplied.
2. Connector/Backshell Class "GR" (environmental)—wire sealing grommet supplied.
3. Standard materials configuration consists of aluminum alloy. For platings, see TABLE II finish options.
4. Standard contact material consists of copper alloy with silver plating or gold plating.

**ITS 3101 GR and ITS 4101 GR
In-Line Cylindrical Receptacle Assembly
with Rotating Coupling Nut Backshell for Heat-Shrink Tubing**



TABLE I: DIMENSIONS

| Shell Size | ØA +0.2 -0.1 | ØB Min. | ØC ±0.1 | ØD ±0.2 | ØE ±0.1 | J Key | K ±0.2 | L Max. | L1 ±0.1 | M +0.4 -0 | ØQ ±0.1 |
|--------------|--------------------|------------|------------|------------|------------|-------|-----------|-----------|------------|-----------------|------------|
| 10 SL | 18.2 | 8.6 | 13.0 | 15.5 | 17.0 | 20 | 2.8 | 55.0 | 8.2 | 14.2 | 21.8 |
| 14 S | 24.5 | 10.7 | 16.5 | 19.1 | 20.1 | 23 | 3.2 | 55.0 | 8.2 | 14.2 | 28.8 |
| 16 S | 27.2 | 14.0 | 24.9 | 23.9 | 23.5 | 26 | 3.2 | 55.0 | 8.0 | 14.2 | 30.5 |
| 16 | 27.2 | 14.0 | 24.9 | 23.9 | 23.5 | 26 | 3.2 | 61.0 | 8.0 | 19.0 | 30.5 |
| 18 | 30.7 | 17.5 | 21.7 | 23.9 | 26.5 | 28 | 4.0 | 64.5 | 8.0 | 19.0 | 33.8 |
| 20 | 34.0 | 18.8 | 26.2 | 29.6 | 30.2 | 32 | 4.0 | 64.5 | 8.9 | 19.0 | 36.9 |
| 22 | 37.3 | 21.0 | 26.2 | 29.6 | 33.6 | 36 | 4.0 | 64.5 | 9.2 | 19.0 | 39.5 |
| 24 | 40.9 | 25.4 | 34.0 | 37.8 | 36.1 | 39 | 4.0 | 68.5 | 9.5 | 20.6 | 43.9 |
| 28 | 46.7 | 28.4 | 34.3 | 37.8 | 41.4 | 46 | 4.0 | 68.5 | 9.2 | 20.6 | 48.4 |
| 32 | 53.4 | 34.0 | 43.6 | 47.8 | 48.6 | 52 | 4.0 | 70.0 | 11.7 | 22.2 | 56.0 |
| 36 | 59.6 | 40.5 | 43.6 | 47.8 | 54.0 | 58 | 4.0 | 70.0 | 11.5 | 22.2 | 62.4 |
| 40 | 65.5 | 49.0 | 52.6 | 57.8 | 61.0 | 65 | 4.0 | 70.0 | 11.5 | 22.2 | 68.6 |

TABLE II: MODIFICATION CODES

| CONTACT OPTIONS | | |
|--------------------------------------------------|----------------------------------------|------|
| Sym | Description | |
| B0 | Connector without Contacts** | |
| B1 | Connector with Gold Plated Contacts | |
| Omit for standard version (Silver plated) | | |
| STANDARD MATERIAL AND FINISH (*) | | |
| Sym | Description | RoHS |
| | Omit for Aluminum/ Cadmium Olive Drab | |
| F6 | Aluminum/ Black Electrodeposited Paint | ✓ |
| F7 | Aluminum/ Black Zinc Nickel | ✓ |
| F11 | Aluminum/ Electroless Nickel | ✓ |
| MB | Marine Bronze/ Unplated | ✓ |
| FK | Stainless Steel/ Passivate | ✓ |

TABLE III

| ELASTOMER OPTIONS | |
|-------------------|------------------------------------|
| Sym | Description |
| | Omit for Polychloroprene Elastomer |
| FR | Fire Resistant Elastomer |
| S | Silicone Elastomer |

(*) For further options, please contact the factory.

(**) Crimp Contacts Only