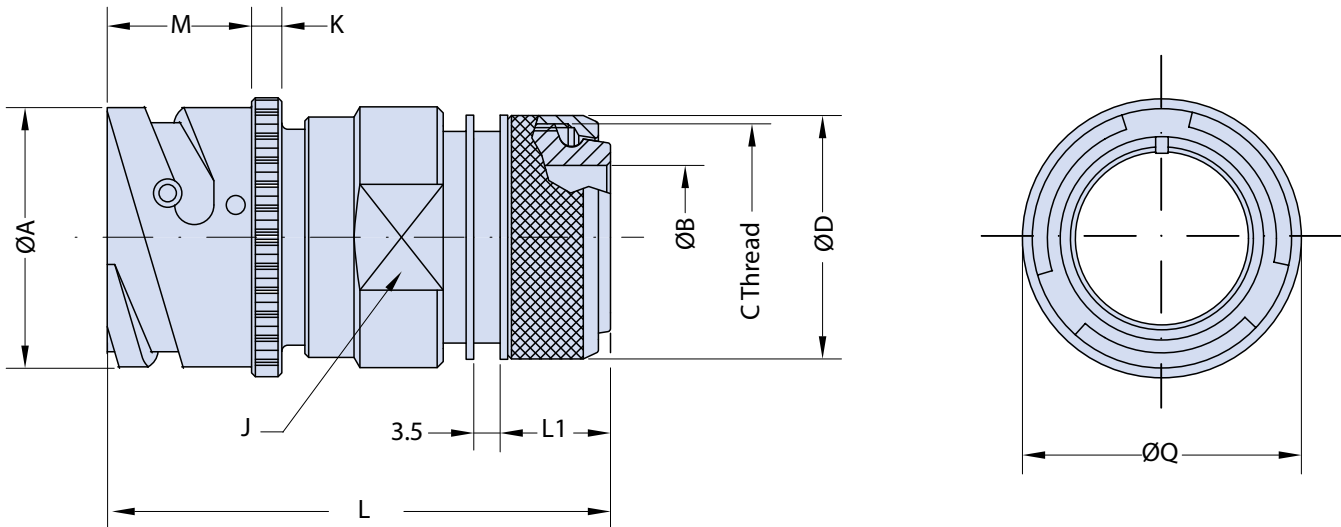
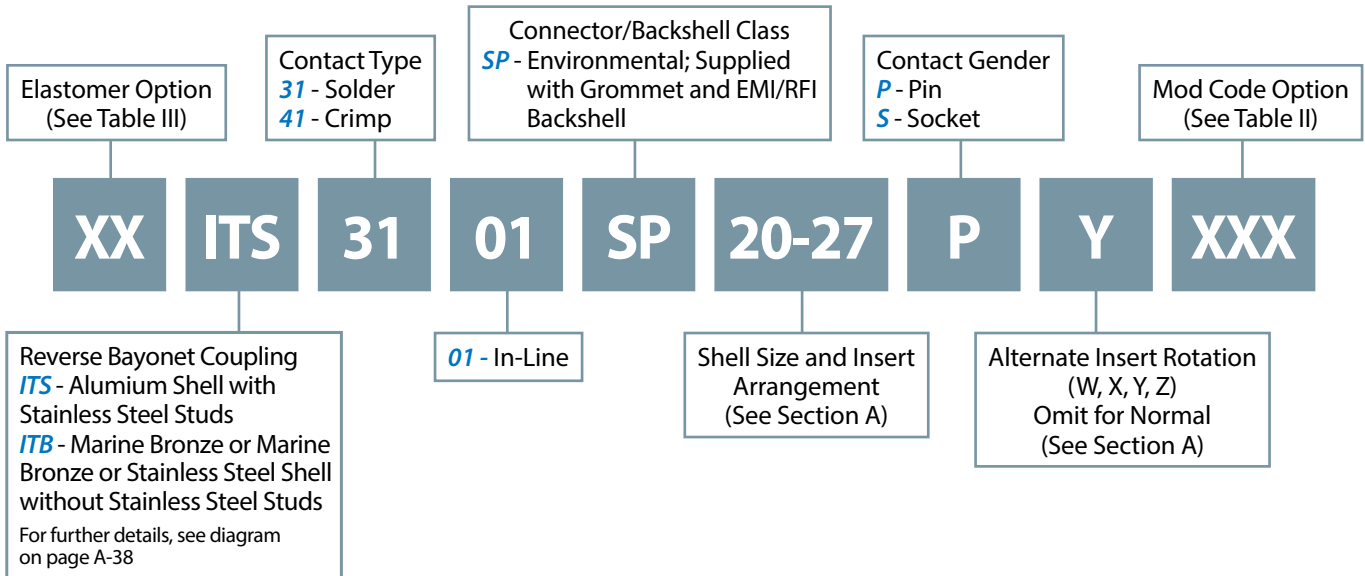


ITS 3101 SP and ITS 4101 SP In-Line Cylindrical Receptacle Assembly with Environmental Backshell for EMI/RFI Shield Termination



Application Notes

1. In-line receptacle with EMI/RFI shield termination backshell with rotating coupling nut. Cable shield is terminated with a "braid-trap" nut. Heat-shrink tubing may also be attached for additional environmental and mechanical protection.
2. Connector/Backshell Class "SP" (environmental)—Wire sealing grommet supplied.
3. Standard materials configuration consists of aluminum alloy. For platings, see TABLE II finish options.
4. Standard contact material consists of copper alloy with silver plating or gold plating.

**ITS 3101 SP and ITS 4101 SP
In-Line Cylindrical Receptacle Assembly
with Environmental Backshell for EMI/RFI Shield Termination**



TABLE I: DIMENSIONS

Shell Size	ØA +0.2 -0.1	ØB Min.	C Thread	ØD ±0.2	J Key	K ±0.2	L Max.	L1 Max.	M +0.4 -0	ØQ ±0.1
10 SL	18.2	8.6	M16X1	18.5	20	2.8	57.0	14.0	14.2	21.8
14 S	24.5	10.7	M20X1	22.3	23	3.2	57.0	14.0	14.2	28.8
16 S	27.2	13.9	M23X1	25.3	26	3.2	58.5	15.6	14.2	30.5
16	27.2	13.9	M23X1	25.3	26	3.2	67.5	15.6	19.0	30.5
18	30.7	15.0	M26X1	28.0	28	4.0	69.0	14.6	19.0	33.8
20	34.0	18.8	M30X1	32.3	32	4.0	69.0	14.6	19.0	36.9
22	37.3	22.0	M32X1	34.3	36	4.0	69.0	14.6	19.0	39.5
24	40.9	25.0	M36X1	38.3	39	4.0	70.5	14.6	20.6	43.9
28	46.7	28.4	M39X1	41.2	46	4.0	70.5	14.6	20.6	48.4
32	53.4	34.0	M45X1	48.3	52	4.0	72.0	14.6	22.2	56.0
36	59.6	40.5	M52X1	55.0	58	4.0	72.0	15.0	22.2	62.4
40	65.5	49.0	M59X1	62.0	65	4.0	72.0	15.5	22.2	68.6

TABLE II: MODIFICATION CODES

CONTACT OPTIONS		
Sym	Description	
B0	Connector without Contacts**	
B1	Connector with Gold Plated Contacts	
Omit for standard version (Silver plated)		
STANDARD MATERIAL AND FINISH (*)		
Sym	Description	RoHS
	Omit for Aluminum/ Cadmium Olive Drab	
F7	Aluminum/ Black Zinc Nickel	✓
F11	Aluminum/ Electroless Nickel	✓
MB	Marine Bronze/ Unplated	✓
FK	Stainless Steel/ Passivate	✓

(*) For further options, please contact the factory.

(**) Crimp Contacts Only

TABLE III

ELASTOMER OPTIONS	
Sym	Description
	Omit for Polychloroprene Elastomer
FR	Fire Resistant Elastomer
S	Silicone Elastomer