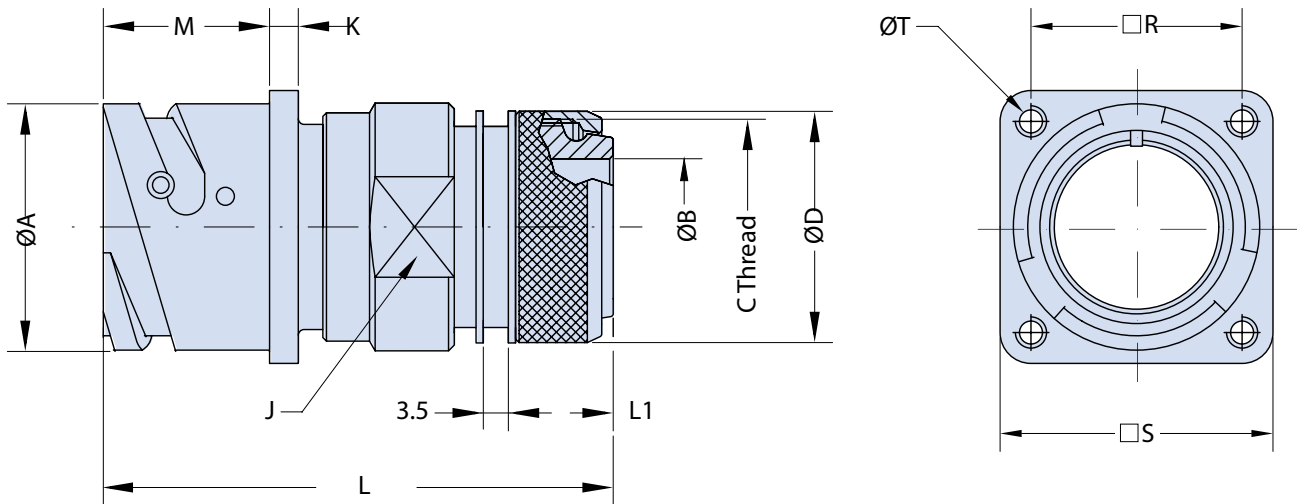
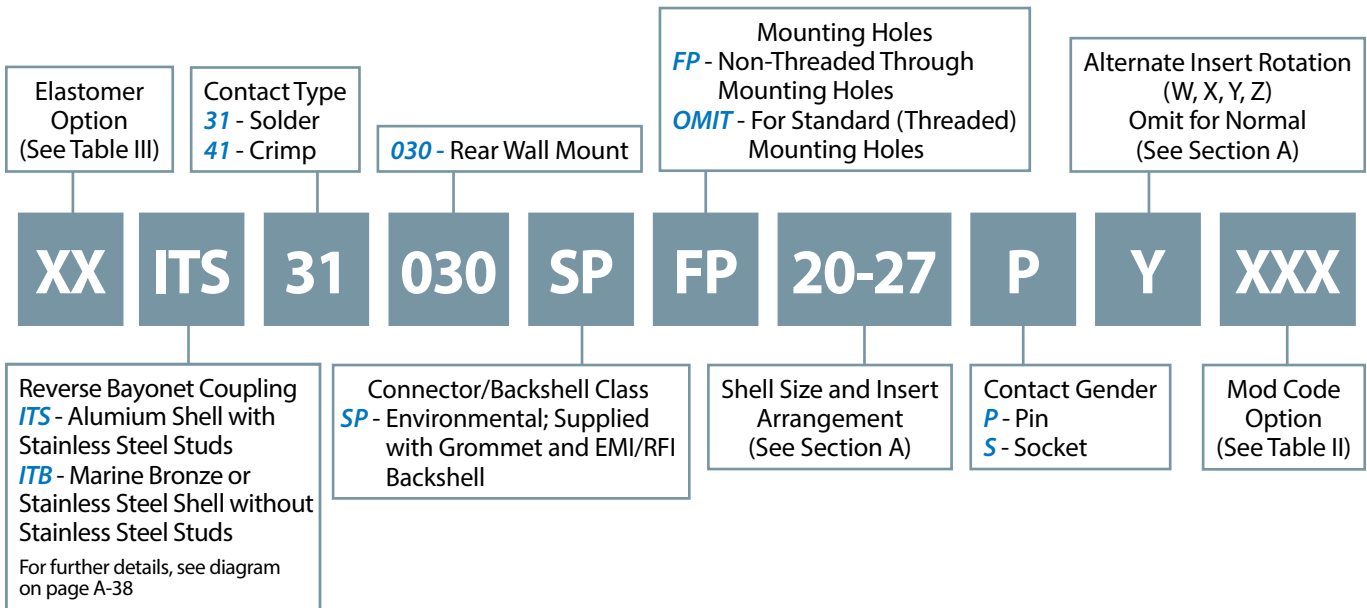


## ITS 31030 SP and ITS 41030 SP

### Rear Panel Mount Square Flange Receptacle Assembly with Environmental Backshell for EMI/RFI Shield Termination



#### Application Notes

1. Rear panel mount square flange receptacle assembly with EMI/RFI Shield termination backshell. Backshell features rotating coupling nut and a "braid-trap" nut for termination of the braided shielding. Heat-shrink tubing may also be attached for additional environmental and mechanical protection. Threaded mounting holes. Optional non-threaded mounting holes available.
2. Connector/Backshell Class "SP" (environmental)—Wire sealing grommet supplied.
3. Standard materials configuration consists of aluminum alloy. For platings, see TABLE II finish options.
4. Standard contact material consists of copper alloy with silver plating or gold plating.

**ITS 31030 SP and ITS 41030 SP**  
**Rear Panel Mount Square Flange Receptacle Assembly**  
**with Environmental Backshell for EMI/RFI Shield Termination**



**TABLE I: DIMENSIONS**

Shell Size	ØA +0.2 -0.1	ØB Min.	C Thread	ØD ±0.2	J key	K ±0.2	L Max.	L1 Max.	M +0.2 -0	R ±0.2	S ±0.2	T Thread
<b>10 SL</b>	18.2	8.6	M16x1	18.5	20	2.8	61.0	14.0	18.4	18.25	25.4	M4
<b>14 S</b>	24.5	10.7	M20x1	22.3	23	3.2	61.0	14.0	18.4	23.00	30.4	M4
<b>16 S</b>	27.2	13.9	M23x1	25.3	26	3.2	62.0	15.6	18.4	24.60	32.5	M4
<b>16</b>	27.2	13.9	M23x1	25.3	26	3.2	70.0	15.6	23.2	24.60	32.5	M4
<b>18</b>	30.7	15.0	M26x1	28.0	28	4.0	71.0	14.6	23.2	27.00	35.0	M4
<b>20</b>	34.0	18.8	M30x1	32.3	32	4.0	72.5	14.6	23.2	29.40	38.0	M4
<b>22</b>	37.3	22.0	M32x1	34.3	36	4.0	72.5	14.6	23.2	31.75	41.0	M4
<b>24</b>	40.9	25.0	M36x1	38.3	39	4.0	72.5	14.6	23.2	34.90	44.5	M4
<b>28</b>	46.7	28.4	M39x1	41.2	46	4.0	73.5	14.6	24.2	39.70	50.9	M5
<b>32</b>	53.4	34.0	M45x1	48.3	52	4.0	74.0	14.6	24.2	44.50	57.0	M5
<b>36</b>	59.6	40.5	M52x1	55.0	58	4.0	74.0	15.0	24.2	49.20	63.5	M5
<b>40</b>	65.5	49.0	M59x1	62.0	65	4.0	74.0	15.5	24.2	55.55	69.9	M5

For through mounting holes refer to page B-3.

**TABLE II: MODIFICATION CODES**

CONTACT OPTIONS		
Sym	Description	
B0	Connector without Contacts**	
B1	Connector with Gold Plated Contacts	
<b>Omit for standard version (Silver plated)</b>		
STANDARD MATERIAL AND FINISH (*)		
Sym	Description	RoHS
	Omit for Aluminum/ Cadmium Olive Drab	
F7	Aluminum/ Black Zinc Nickel	✓
F11	Aluminum/ Electroless Nickel	✓
MB	Marine Bronze/ Unplated	✓
FK	Stainless Steel/ Passivate	✓

(\*) For further options, please contact the factory.

(\*\*) Crimp Contacts Only

**TABLE III**

ELASTOMER OPTIONS	
Sym	Description
	Omit for Polychloroprene Elastomer
FR	Fire Resistant Elastomer
S	Silicone Elastomer