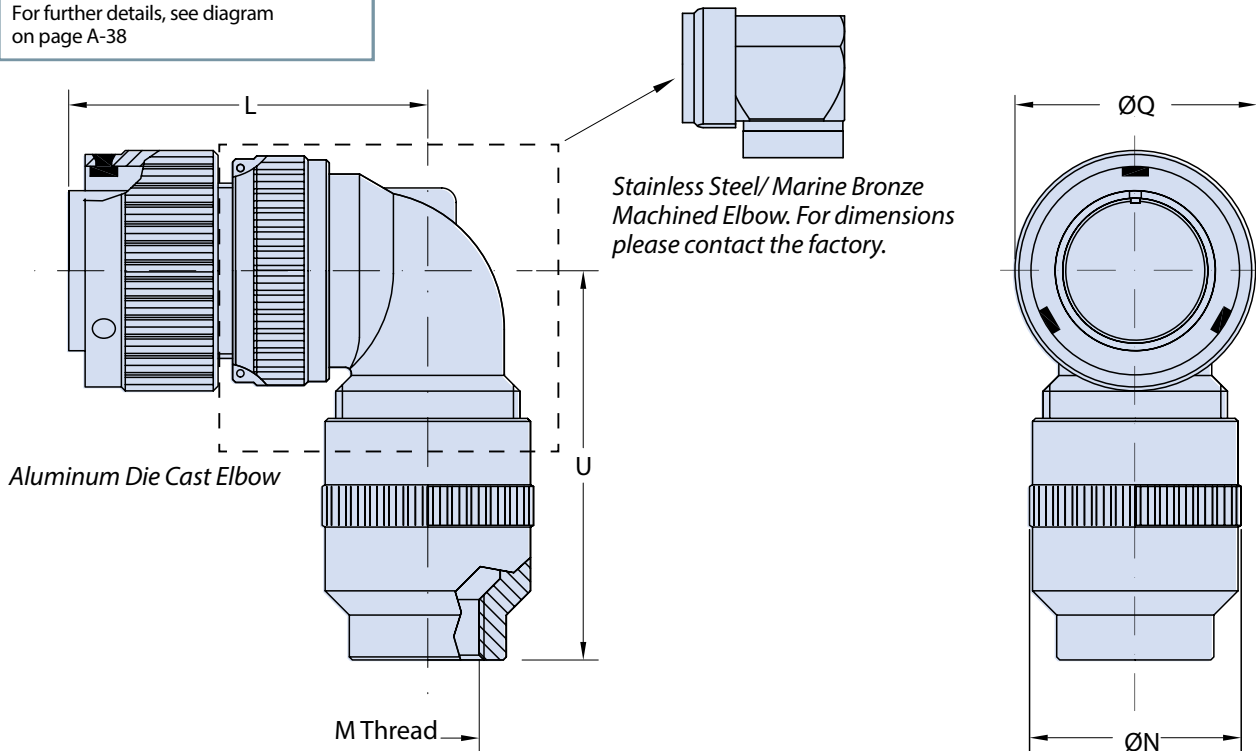
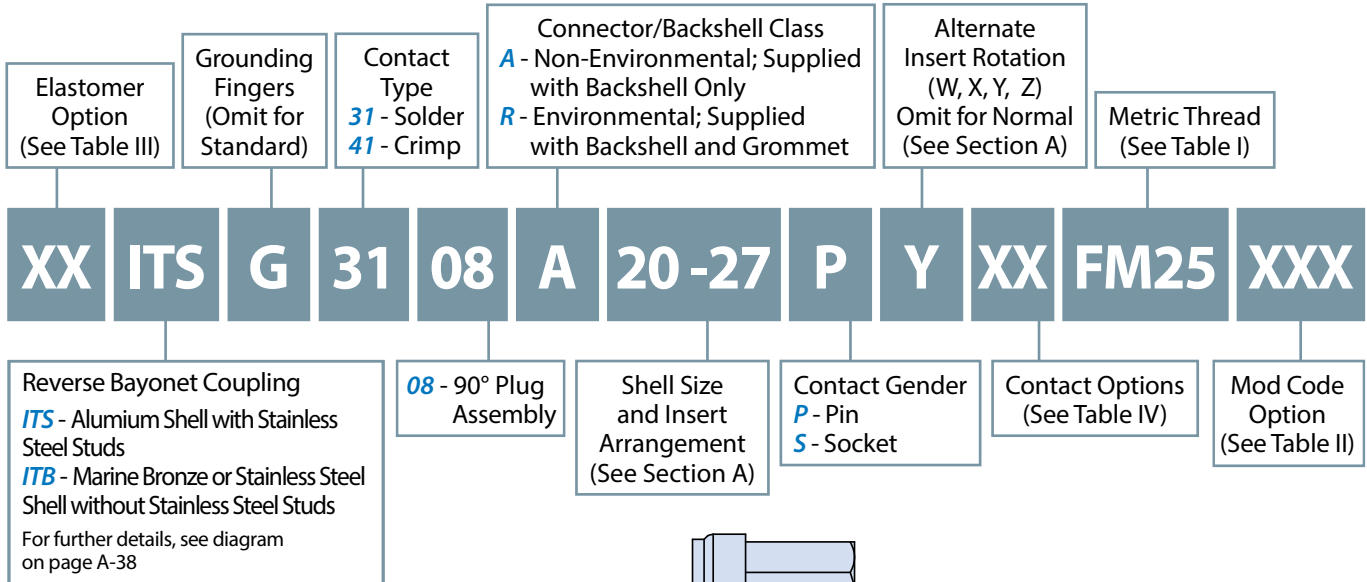


ITS 3108 A FM and ITS 3108 R FM
ITS 4108 A FM and ITS 4108 R FM
Cylindrical Plug Assembly
with 90° Backshell for Use with Metric Cable Glands



Application Notes

- 90° plug with backshell for the attachment of metric thread cable glands (not included).
- Connector/Backshell Class "A" (non-environmental)—Not supplied with wire sealing grommet; Class "R" (environmental)—Supplied with grommet.
- Standard materials configuration consists of aluminum alloy. For platings, see TABLE II finish options.
- Standard contact material consists of copper alloy with silver plating or gold plating.

ITS 3108 A FM and ITS 3108 R FM
 ITS 4108 A FM and ITS 4108 R FM
Cylindrical Plug Assembly
 with 90° Backshell for Use with Metric Cable Glands



TABLE I: DIMENSIONS

Shell Size	L Max.	ØN Max.	M Thread Other M Threads Available on request	ØQ ±0.2	U Max.
10 SL	40	25	M12x1,5	22.6	50.0
14 S	42	26	M16x1,5	29.0	55.0
16 S	46	26	M16x1,5	31.6	60.0
16	55	26	M16x1,5	31.6	60.0
18	57	33	M20x1,5	36.2	60.0
20	62	43	M25x1,5	39.8	60.0
22	62	43	M25x1,5	43.0	60.0
24	67	45	M32x1,5	46.4	63.0
28	67	45	M32x1,5	53.0	63.0
32	72	51	M36x1,5	60.0	75.0
36	75	58	M40x1,5	66.2	80.0
40	78	63	M40x1,5	72.3	82.0

B

TABLE II: MODIFICATION CODES

STANDARD MATERIAL AND FINISH (*)		
Sym	Description	RoHS
	Omit for Aluminum/ Cadmium Olive Drab	
F6	Aluminum/ Black Electrodeposited Paint	✓
F7	Aluminum/ Black Zinc Nickel	✓
F11	Aluminum/ Electroless Nickel	✓
MB	Marine Bronze/ Unplated	✓
FK	Stainless Steel/ Passivate	✓

TABLE III

ELASTOMER OPTIONS	
Sym	Description
	Omit for Polychloroprene Elastomer
FR	Fire Resistant Elastomer
S	Silicone Elastomer

TABLE IV: MODIFICATION CODES

CONTACT OPTIONS	
Sym	Description
B0	Connector without Contacts**
B1	Connector with Gold Plated Contacts
Omit for standard version (Silver plated)	

(*) For further options, please contact the factory.

(**) Crimp Contacts Only