

ITS 3108 GR and ITS 4108 GR Cylindrical Plug Assembly with 90° Backshell and Rotating Coupling Nut Backshell for Heat Shrink Tubing

Reverse Bayonet Coupling
ITS - Aluminum Shell with Stainless Steel Studs
ITB - Marine Bronze or Stainless Steel Shell without Stainless Steel Studs
 For further details, see diagram on page A-38

Connector/Backshell Class
GR - Environmental; Supplied with Backshell for Heat-Shrink Tubing and Rotating Clamp Nut

Contact Gender
P - Pin
S - Socket

Mod Code Option
 (See Table II)

XX**ITS****G****31****08****GR****20-27****P****Y****XXX**

Elastomer Option
 (See Table III)

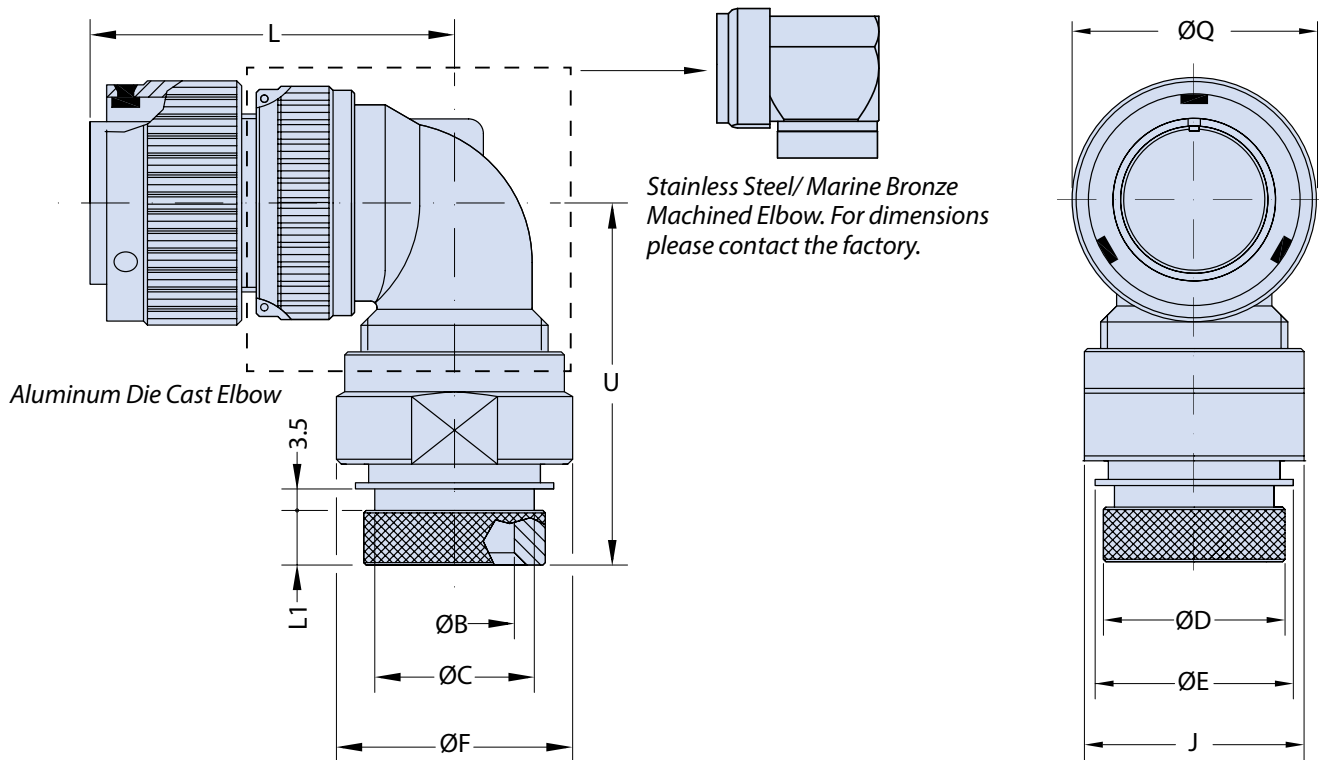
Grounding Fingers
 (Omit for Standard)

Contact Type
31 - Solder
41 - Crimp

08 - 90° Plug Assembly

Shell Size and Insert Arrangement
 (See Section A)

Alternate Insert Rotation
 (W, X, Y, Z)
 Omit for Normal
 (See Section A)

B

Application Notes

1. 90° plug with backshell for heat-shrink tubing. Rotating coupling nut supplied
2. Connector/Backshell Class "GR" (environmental)—Wire sealing grommet supplied.
3. Standard materials configuration consists of aluminum alloy. For platings, see TABLE II finish options.
4. Standard contact material consists of copper alloy with silver plating or gold plating.

**ITS 3108 GR and ITS 4108 GR
Cylindrical Plug Assembly with 90° Backshell
and Rotating Coupling Nut Backshell for Heat Shrink Tubing**



TABLE I: DIMENSION

Shell Size	ØB Min.	ØC +0 -0.2	ØD ±0.2	ØE ±0.2	ØF ±0.2	J Key	L Max.	L1 ±0.1	ØQ ±0.2	U Max.
10 SL	8.6	13.0	15.5	17.0	22	20	40.0	8.2	22.6	55.0
14 S	10.7	16.5	19.1	22.3	25	23	42.0	8.2	29.0	57.0
16 S	14.0	21.5	23.9	25.3	28	26	46.0	8.0	31.6	60.0
16	14.0	21.7	23.9	25.3	28	26	55.0	8.0	31.6	63.0
18	17.5	21.7	23.9	28.0	30	28	57.0	8.0	36.2	64.0
20	18.8	26.2	29.6	30.2	36	34	62.0	8.9	39.8	60.0
22	21.0	26.0	29.6	34.3	38	36	62.0	9.2	43.0	67.0
24	25.4	34.5	37.8	38.3	43	41	67.0	9.5	46.4	70.0
28	28.4	34.3	37.8	41.4	44	42	67.0	9.2	53.0	70.0
32	34.0	43.6	47.8	48.6	54	52	72.0	11.7	60.0	80.0
36	39.5	43.6	47.8	54.8	61	58	75.0	11.5	66.2	80.0
40	49.0	52.6	57.8	61.0	68	65	78.0	11.5	72.3	85.0

B

TABLE II: MODIFICATION CODES

CONTACT OPTIONS		
Sym	Description	
B0	Connector without Contacts**	
B1	Connector with Gold Plated Contacts	
Omit for standard version (Silver plated)		
STANDARD MATERIAL AND FINISH (*)		
Sym	Description	RoHS
	Omit for Aluminum/ Cadmium Olive Drab	
F6	Aluminum/ Black Electrodeposited Paint	✓
F7	Aluminum/ Black Zinc Nickel	✓
F11	Aluminum/ Electroless Nickel	✓
MB	Marine Bronze/ Unplated	✓
FK	Stainless Steel/ Passivate	✓

TABLE III

ELASTOMER OPTIONS	
Sym	Description
	Omit for Polychloroprene Elastomer
FR	Fire Resistant Elastomer
S	Silicone Elastomer

(*) For further options, please contact the factory.

(**) Crimp Contacts Only