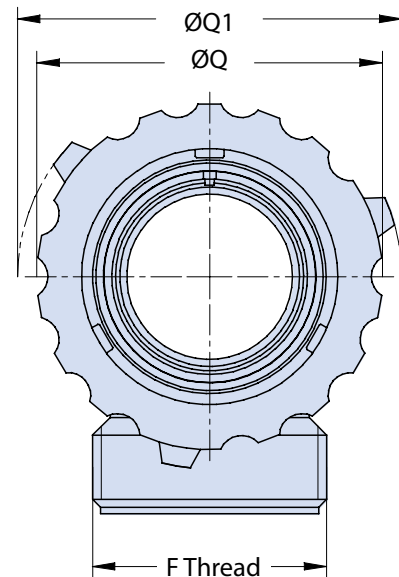
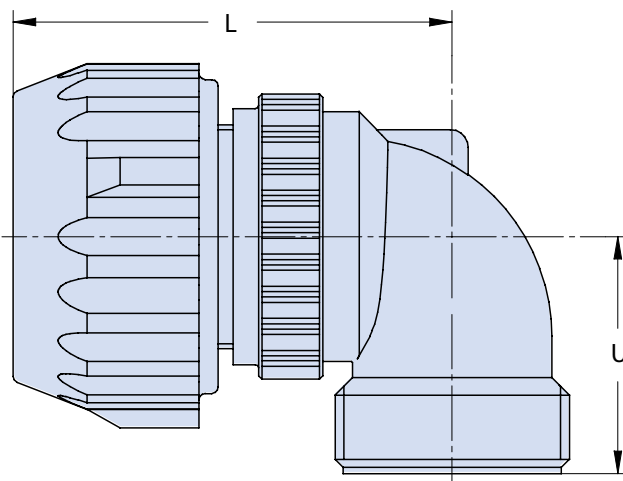


ITS 3108 AGG and ITS 4108 RGG 90° Plug Connector with Rubber-Coated Coupling Nut

| | | | | | | | | | |
|--------------------------------|---------------------------------------|--|---|-----------------------------------|---|--------------|----------|----------|------------|
| Reverse Bayonet Coupling | Contact Type 41 - Crimp Contacts | Shell Size and Insert Arrangement (See Section A) | Contact Gender P - Pin S - Socket | Mod Code Option (See Table II) | | | | | |
| FR | ITS | G | 41 | 08 | AGG | 20-27 | P | Y | XXX |
| Fire Resistant Rubber Compound | Grounding Fingers (Omit for Standard) | 08 - 90° Plug Assembly | Connector/Backshell Class AGG - Non-Environmental; RGG - Environmental; Supplied with Grommet | | Alternate Insert Rotation (W, X, Y, Z) Omit for Normal (See Section A) | | | | |



Application Notes

- 90° plug connector with rubber-coated coupling nut.
- AGG - Non-Environmental; grommet not supplied.
RGG - Environmental; supplied with wire sealing grommet.
- Standard materials configuration consists of aluminum alloy.
- Standard contact material consists of copper alloy with silver plating or gold plating.
- A broad range of additional connector accessories are available.
See our website and/or contact the factory for complete information.

**ITS 3108 AGG and ITS 4108 RGG
90° Plug Connector with Rubber-Coated Coupling Nut**



TABLE I: DIMENSIONS

| Shell Size | F Thread | L Max. | ØQ ±0.5 | ØQ1 ±0.5 | U ±0.2 |
|--------------|-----------------|--------|---------|----------|--------|
| 10 SL | 0.6250 - 24UNEF | 42 | 28.6 | 33.5 | 25.0 |
| 14 S | 0.7500 - 20UNEF | 44 | 35.0 | 42.0 | 26.5 |
| 16 S | 0.8750 - 20UNEF | 48 | 38.0 | 45.0 | 27.0 |
| 16 | 0.8750 - 20UNEF | 57 | 38.0 | 45.0 | 27.0 |
| 18 | 1.0000 - 20UNEF | 59 | 43.5 | 49.0 | 30.0 |
| 20 | 1.1875 - 18UNEF | 64 | 46.5 | 52.0 | 32.0 |
| 22 | 1.1875 - 18UNEF | 64 | 50.5 | 56.0 | 32.0 |
| 24 | 1.4375 - 18UNEF | 69 | 54.0 | 60.0 | 37.0 |
| 28 | 1.4375 - 18UNEF | 69 | 61.0 | 67.0 | 38.0 |
| 32 | 1.7500 - 18UNS | 74 | 68.0 | 76.0 | 45.5 |
| 36 | 2.0000 - 18UNS | 77 | 74.0 | 82.0 | 47.2 |
| 40 | 2.2500 - 16UN | 80 | 80.0 | 88.0 | 52.0 |

TABLE II: MODIFICATION CODES

| CONTACT OPTIONS | | |
|--|--|------|
| Sym | Description | |
| B0 | Connector without Contacts** | |
| B1 | Connector with Gold Plated Contacts | |
| Omit for standard version (Silver plated) | | |
| STANDARD MATERIAL AND FINISH (*) | | |
| Sym | Description | RoHS |
| | Omit for Aluminum/ Cadmium Olive Drab | |
| F6 | Aluminum/ Black Electrodeposited Paint | ✓ |
| F7 | Aluminum/ Black Zinc Nickel | ✓ |
| F11 | Aluminum/ Electroless Nickel | ✓ |

(*) Apply to components without rubber covering only.
For further finish options, please contact the factory.

(**) Crimp Contacts Only