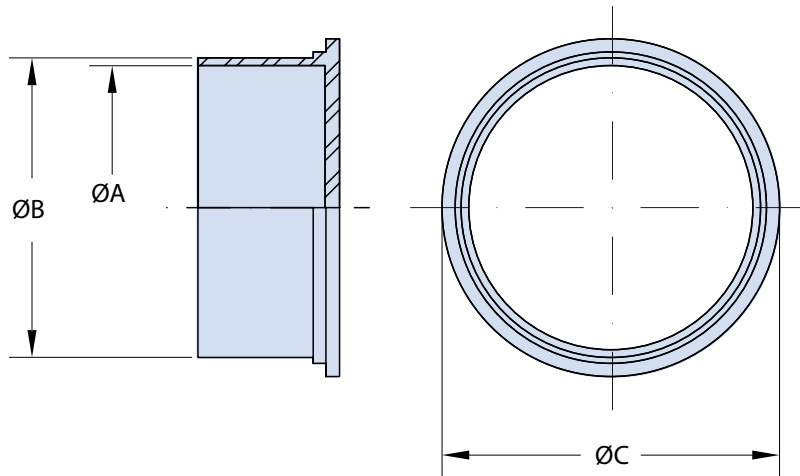


IT 90376-XX (Y/R) AND TP02-XX Receptacle Connector Protective Plastic Dust Cap



**TABLE II: RECEPTACLE PLASTIC DUST CAP
PART NUMBERS, SHELL SIZE AND DIMENSIONS**

Part Number	Shell Size	$\varnothing A$ ± 0.25	$\varnothing B$ ± 0.25	$\varnothing C$ ± 0.78
IT 90376-12R	Receptacle 10SL	18.29	19.68	24.64
TP02-14S	Receptacle 14S	24.40	27.05	30.00
IT 90376-18Y	Receptacle 16S - 16	26.11	27.63	31.75
TP02-18	Receptacle 18	30.40	33.15	37.00
IT 90376-22R	Receptacle 20	34.04	35.81	40.38
IT 90376-24R	Receptacle 22	37.16	38.94	43.18
TP02-24	Receptacle 24	40.65	43.20	47.00
TP02-28	Receptacle 28	46.45	49.05	52.00
TP02-32	Receptacle 32	53.15	55.75	60.00
TP02-36	Receptacle 36	59.35	61.95	66.00
TP02-40	Receptacle 40	65.25	67.85	72.00



Application Notes

1. Plastic cap for receptacle connectors for protection against dust and mechanical damage.