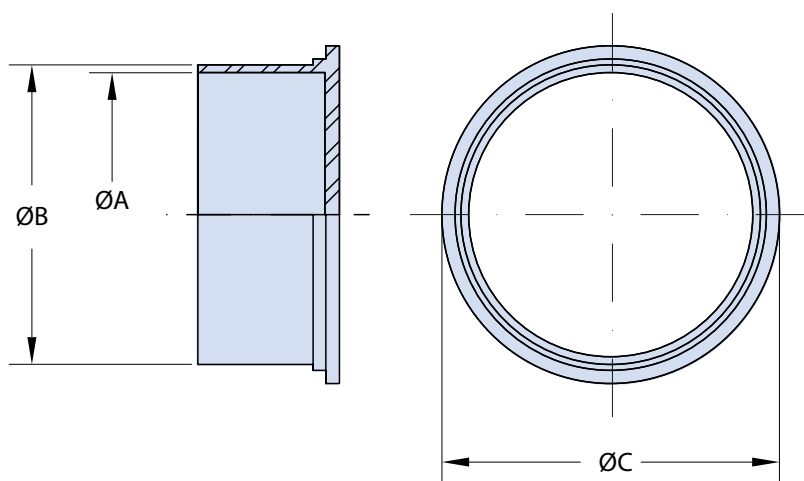


TABLE I: PLUG PLASTIC DUST CAP
PART NUMBERS, SHELL SIZE AND DIMENSIONS

Part Number	Shell Size	$\varnothing A$ ± 0.25	$\varnothing B$ ± 0.25	$\varnothing C$ ± 0.78
IT 90376-10R	Plug 10SL	15.37	16.89	21.33
IT 90376-14R	Plug 14S	21.59	22.99	28.57
IT 90376-15R	-	23.62	25.65	30.47
IT 90376-16R	Plug 16S - 16	24.71	26.29	30.99
IT 90376-18R	Plug 18	27.76	29.34	33.78
IT 90376-20R	Plug 20	31.28	33.04	37.21
IT 90376-22R	Plug 22	34.04	35.81	40.38
IT 90376-24R	Plug 24	37.16	38.94	43.18
IT 90376-28R	Plug 28	43.56	45.46	49.53
IT 90376-32R	Plug 32	49.91	51.82	56.39
IT 90376-36R	Plug 36	56.26	58.16	61.85
IT 90376-40R	Plug 40	61.98	64.26	67.56

D


Application Notes

1. Plastic cap for plug connectors for protection against dust and mechanical damage.