

ITB 02KA-XX Receptacle Connector Cap with Polyamide Black Rope

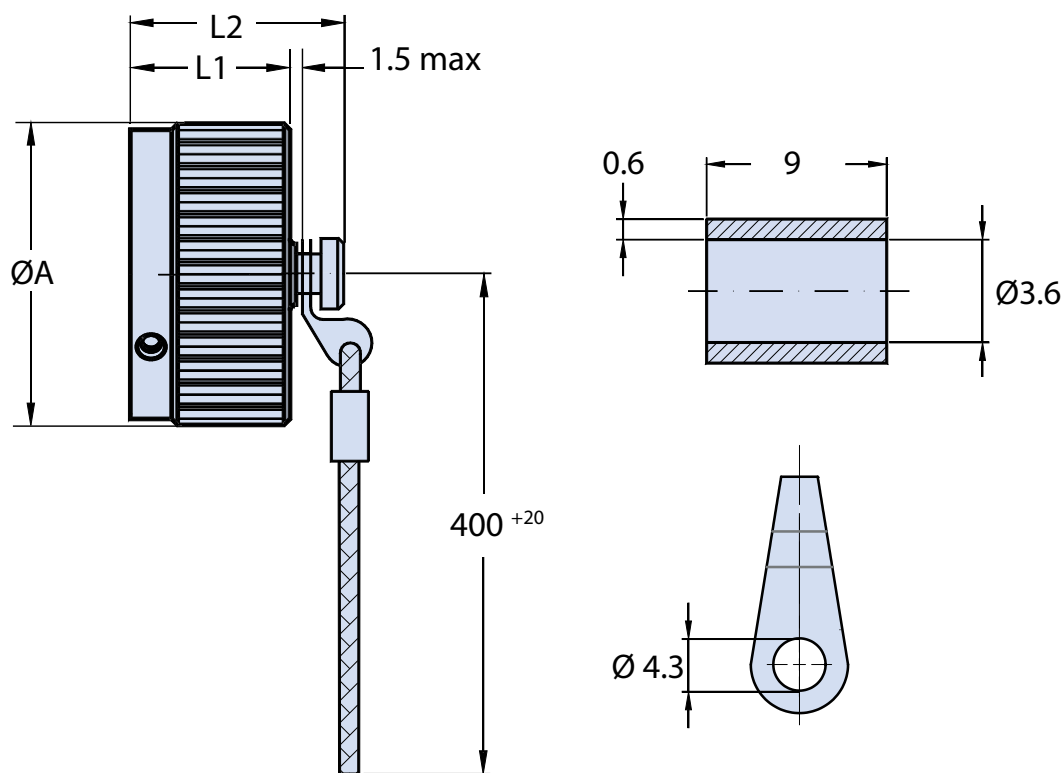
Basic Part Number and Shell Size
Designator (Table I)

Material/Finish Options
(Table II)

ITB

02KA-14S

XX



Application Notes

1. Metal protective cap for bayonet receptacle connectors with polyamide black rope, supplied with loose terminal link and crimp sleeve.
2. Standard configuration consists of aluminum alloy with cadmium olive drab passivation IAW QQ-P-416. Other options for material and finish are available. See our website and/or contact the factory for complete information.

ITB 02KA-XX
Receptacle Connector Cap
with Polyamide Black Rope



TABLE I: RECEPTACLE CONNECTOR CAP PART NUMBERS, CONNECTOR SIZE AND DIMENSIONS

Part Number	Connector Size	ØA ±0.5	L1 Max.	L Max.
ITB 02KA -10SL	10SL	22.6	15.4	16.0
ITB 02KA -14S	14S	29.0	15.4	16.0
ITB 02KA -16	16S	32.0	15.4	16.0
ITB 02KA -17	16	32.0	22.0	21.0
ITB 02KA -18	18	36.5	22.0	21.7
ITB 02KA -20	20	39.8	22.0	21.7
ITB 02KA -22	22	43.0	22.0	21.7
ITB 02KA -24	24	46.4	22.0	21.7
ITB 02KA -28	28	53.0	22.0	21.7
ITB 02KA -32	32	60.0	24.8	21.7
ITB 02KA -36	36	66.2	24.8	21.7
ITB 02KA -40	40	72.3	24.8	21.7

TABLE II

STANDARD MATERIAL AND FINISH (*)		
Sym	Description	RoHS
	Omit for Aluminum/ Cadmium Olive Drab	
F6	Aluminum/ Black Electrodeposited Paint	✓
F7	Aluminum/ Black Zinc Nickel	✓
F11	Aluminum/ Electroless Nickel	✓
MB	Marine Bronze/ Unplated	✓
FK	Stainless Steel/ Passivate	✓

(*) For further options, please contact the factory.