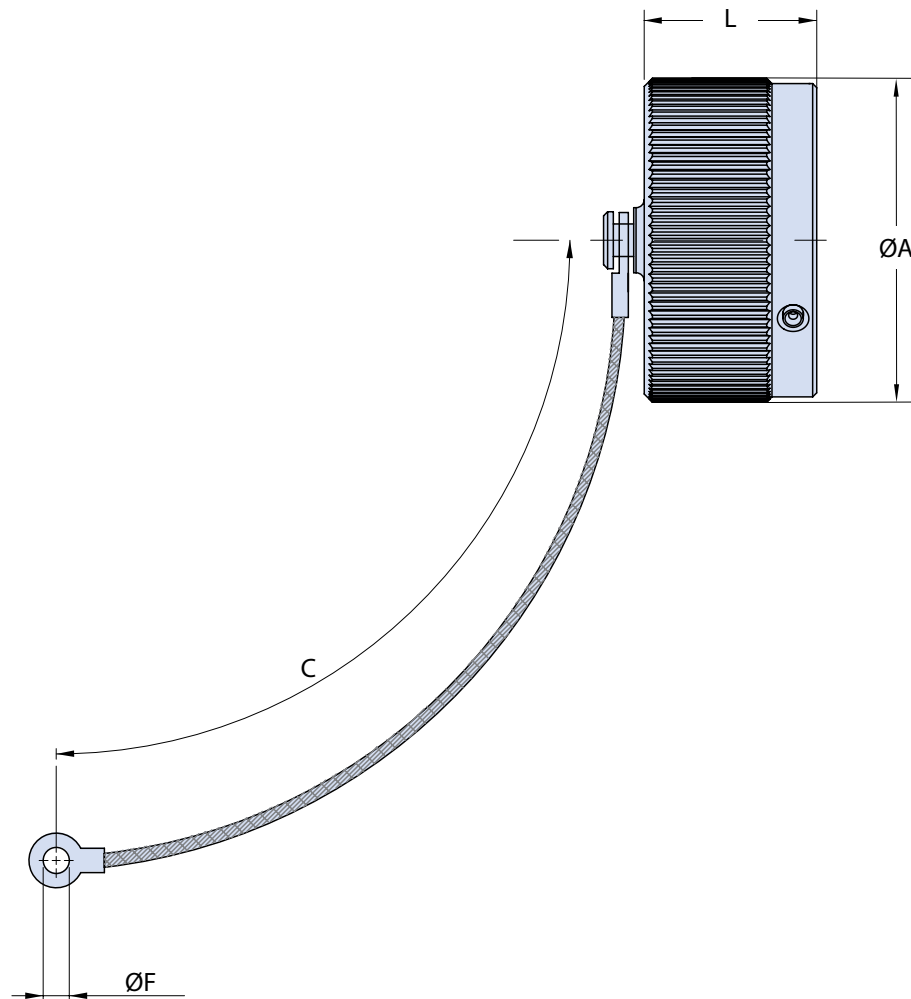
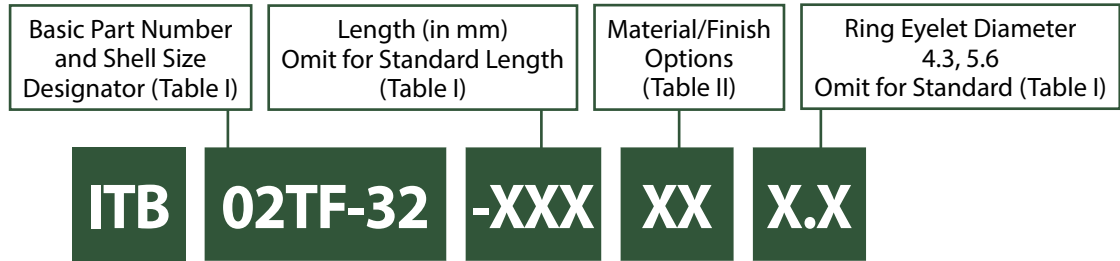


ITB 02TF-XX Receptacle Connector Cap with Stainless Steel Wire Rope



Application Notes

1. Metal protective cap for bayonet receptacle connectors with stainless steel wire rope.
2. Standard materials configuration consists of aluminum alloy. For platings, see TABLE II finish options.

ITB 02TF-XX
Receptacle Connector Cap
with Stainless Steel Wire Rope



TABLE I: RECEPTACLE CONNECTOR CAP PART NUMBERS, CONNECTOR SIZE AND DIMENSIONS

Part Number	Connector Size	ØA ±0.5	C Min.	ØF ±0.2 -0	L Max.
ITB 02TF -10SL	10SL	22.6	193	4.3	16.0
ITB 02TF -14	14S	29.0	193	4.3	16.0
ITB 02TF -16	16S	32.0	193	4.3	16.0
ITB 02TF -17	16	32.0	193	4.3	21.0
ITB 02TF -18	18	36.5	193	4.3	21.7
ITB 02TF -20	20	39.8	193	4.3	21.7
ITB 02TF -22	22	43.0	193	4.3	21.7
ITB 02TF -24	24	46.4	193	4.3	21.7
ITB 02TF -28	28	53.0	193	5.3	21.7
ITB 02TF -32	32	60.0	193	5.3	21.7
ITB 02TF -36	36	66.2	193	5.3	21.7
ITB 02TF -40	40	72.3	193	5.3	21.7

TABLE II

STANDARD MATERIAL AND FINISH (*)		
Sym	Description	RoHS
	Omit for Aluminum/ Cadmium Olive Drab	
F6	Aluminum/ Black Electrodeposited Paint	✓
F7	Aluminum/ Black Zinc Nickel	✓
F11	Aluminum/ Electroless Nickel	✓
MB	Marine Bronze/ Unplated	✓
FK	Stainless Steel/ Passivate	✓

(*) For further options, please contact the factory.