

Conduit Systems for Shipboard Electromagnetic Shielding

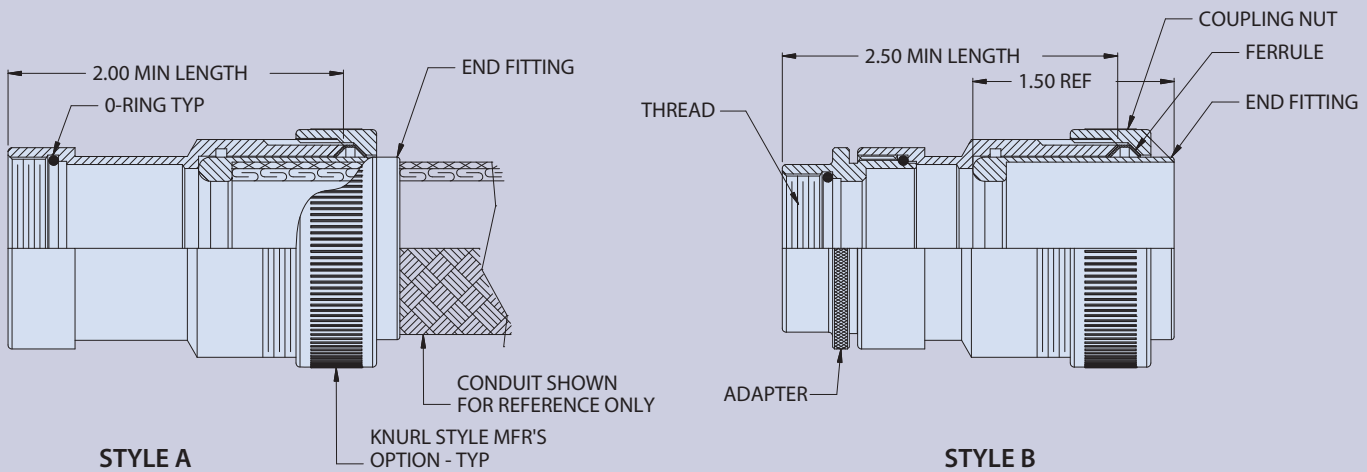


GR2124 Transition Fitting

GR2000

TRANSITION FITTING FOR MS SERIES BACKSHELL IAW S9407-AB-HBK-010 REV 2, GR2124

How To Order					
Sample Part Number	GR2124	-3	-EM08	-2.5	SN
Basic Part Number	Transition fitting for MS series backshell				
Dash No.	3, 4, 6, 8, 10, 12, 16, 20, 24, 28, 32, 40. See sales drawing for full dimensional details.				
Conduit Part No.	EM02, EM03, EM04, EM05, EM06, EM08, EM10, EM12, EM16, EM20, EM24				
Body / Adapter Length	In inches. Std. min. length = 2" (one-piece/style A); 2.5" (two-piece/style B)				
Material / Finish	SN = mild steel with cadmium over electroless nickel finish Omit = mild steel with electroless nickel finish IAW AMS 2404C				



MATERIAL / FINISH

Adaper, Body, Ferrule, Nut - Mild Steel AISI Type B1113 IAW Fed-STD-66

End Fitting - 300 Series SST / Passivated

O-Ring - Nitrile/Buna-N