

S9407-AB-HBK-010

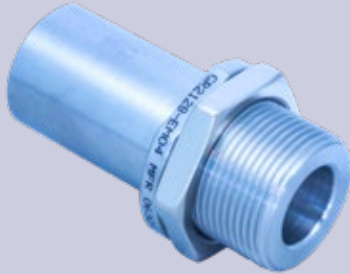
Conduit Systems for Shipboard Electromagnetic Shielding



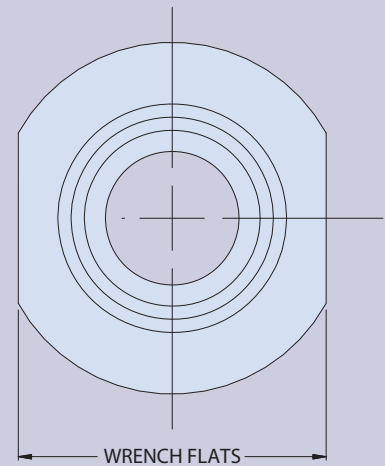
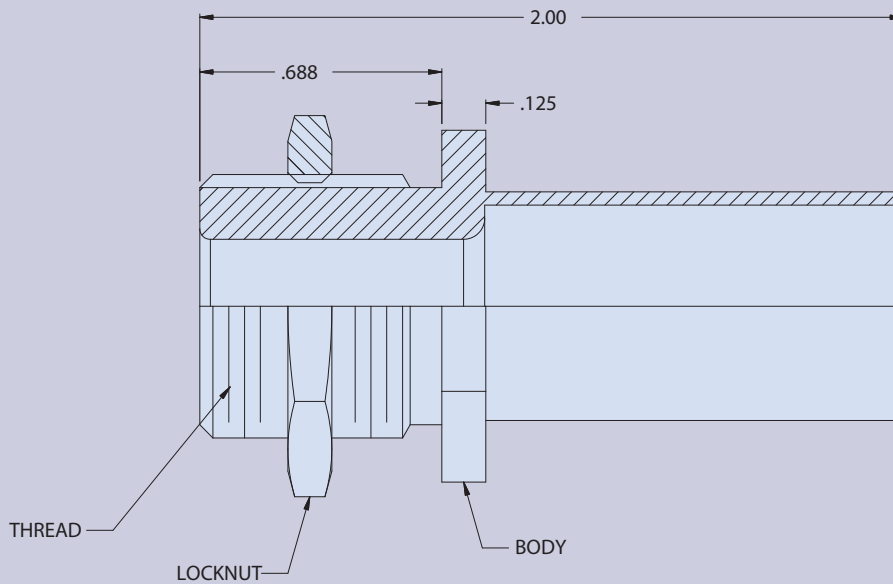
GR2128 Panel fitting

GR2000

PANEL FITTING FOR FLEXIBLE CONDUIT IAW S9407-AB-HBK-010 REV 2, GR2128



| How To Order | | |
|--------------------|--|-------|
| Sample Part Number | GR2128 | -EM08 |
| Basic Part Number | Panel fitting | |
| Conduit Part No. | EM02, EM03, EM04, EM05, EM06, EM08, EM10, EM12, EM16, EM20, EM24 | |



MATERIAL / FINISH

Body - 300 Series SST / Passivated

Locknut - Mild Carbon Steel AISI Type B1113 IAW Fed-STD-66 / Electroless nickel IAW AMS 2404C