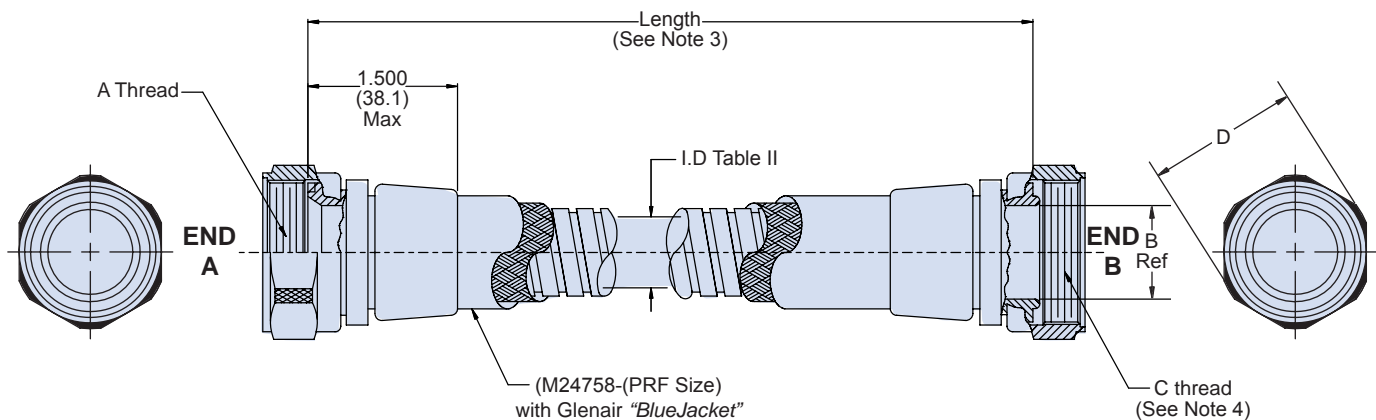
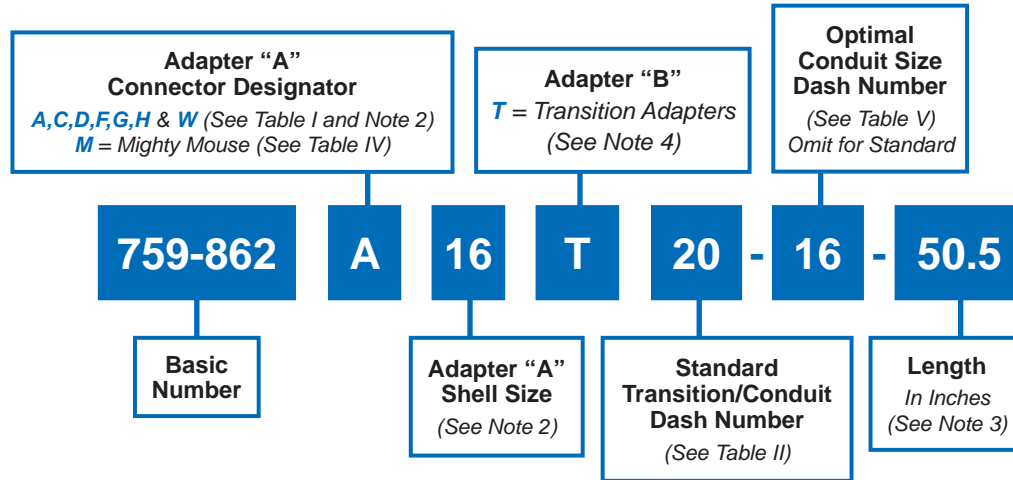


A



APPLICATION NOTES

- Assembly identified with manufacturer's code identification.
- See Common Accessory Interface Data on page G-2 and Table IV for Mighty Mouse interface.
- Length tolerance is 0-24" = $\pm 1/4$ ", for longer lengths is $\pm 1\%$ of length. Specify length in inches.
- End "B" adapter (C thread) mates with corresponding MIL-PRF-24758-* adapter (see Table III).
- Glenair 600 series backshell assembly tools are recommended for assembly installation.
- Glenair series 600 backshell assembly tools are recommended for assembly and installation.
- Material / Finish:
Adapter, ferrule & coupling nut - AISI 316L stainless steel / electroless nickel, matte finish.
Conduit - See individual drawing.
- Metric dimensions (mm) are indicated in parentheses.

759-862
Connector to Adapter
Factory Terminated Conduit Assembly



MIL-PRF
24758A

A

TABLE I: Connector Code

CONN. CODE	SPECIFICATION
A	MIL-DTL-5015 (MS34**) MIL-DTL-26482 Series II MIL-DTL-83723 Series I, III
C	MIL-C-22992 Series R
D	MIL-C-26482 Series I
F	MIL-DTL-38999, Series I
G	MIL-C-28840
H	MIL-DTL-38999 Series III, IV
W	Glenair Series 22 (Geo-Marine®)

TABLE II: Standard Transition/Conduit Dash No.

DASH NUMBER	MIL PRF SIZE	B MIN	C THREAD CLASS 2B	D MAX
08	A	.245 (6.22)	.438-28 UNEF	.880 (22.4)
12	J	.370 (9.40)	.563-24 UNEF	.940 (23.9)
16	B	.495 (12.57)	.688-24 UNEF	1.130 (28.7)
20	K	.620 (15.75)	.813-20 UNEF	1.190 (30.2)
24	C	.745 (18.92)	.938-20 UNEF	1.380 (35.1)
32	D	.995 (25.27)	1.250-18 UNEF	1.690 (42.9)
40	E	1.245 (31.62)	1.563-18 UNEF	2.000 (50.8)
48	F	1.495 (37.97)	1.875-16 UN	2.310 (58.7)
64	G	1.995 (50.67)	2.375-16 UN	2.940 (74.7)
80	H	2.495 (63.37)	2.875-16 UN	3.440 (87.4)
96	L	2.995 (76.07)	3.375-16 UN	3.940 (100.1)

TABLE III: (Reference Only)

MIL PRF DASH NO.	END "B" MATING ADAPTERS MIL-PRF-24758
9	MS3100 Series MIL-DTL-5015
11	Coaxial Connectors
12	MIL-DTL-26482 Series I (Code D Table I)
13	MS3155 Series (Code A Table I)
14	MIL-DTL-28840 (Code G Table I)
15	MIL-S-24235 Stuffing Tubes
16	Miscellaneous Fittings
17	Tapered Pipe Thread
18	Straight Pipe Thread
19	Bulkhead Termination
20	MIL-DTL-38999 (Codes F & H Table I)
22	Glenair Series 22 Geo-Marine® (Code W Table I)
23	Union Fitting
24	Shielded Cable Fitting

TABLE IV: Order Number, Shell Size Reference and Thread

Order Number	Shell Size Ref		A Thread Class 2B
	800/801 803/804	805	
05	05	N/A	1/4-32 UNEF
06	06	N/A	5/16-32 UNEF
11	N/A	08	3/8-32 UNEF
07	07	09	7/16-28 UNEF
08	08	10	1/2-28 UNEF
09	09	11	9/16-24 UNEF
10	10	12	5/8-24 UNEF
12	11/12/13	N/A	11/16-24 UNEF
13	N/A	15	3/4-20 UNEF
14	14/15/16/17	18/19	15/16-20 UNEF
17	21	23	1 3/16-18 UNEF

TABLE V: Conduit Size, MIL-PRF Size and B Dimension

Conduit Size Dash Number	MIL-PRF Size	B Min
08	A	.245 (6.22)
12	J	.370 (9.40)
16	B	.495 (12.57)
20	K	.620 (15.75)
24	C	.745 (18.92)
32	D	.995 (25.27)
40	E	1.245 (31.62)
48	F	1.495 (37.97)
64	G	1.995 (50.67)
80	H	2.495 (63.37)
96	L	2.995 (76.07)